

PUBLIC

Infineon Technologies AG

Chip Card and Security

Evaluation Documentation

Security Target Lite

M9900 A21

including optional Software Libraries

RSA - EC – Toolbox – FTL

Version 1.2
Date 2013-01-22
Author Jürgen Noller

©2012 Infineon Technologies AG. All rights reserved. This document and all information contained therein is considered confidential and proprietary of Infineon Technologies AG. The recipient of this document shall not disclose this document or the information contained herein in whole or in part to any third party. Infineon Technologies AG reserves the right to change the specification or parts of it without prior notice.

REVISION HISTORY

1.0	2012-05-29: Finale Version
1.1	2012-10-05: Certification with Crypto Libs
1.2	2013-01-22: New firmware identifier

TABLE OF CONTENTS

1	SECURITY TARGET INTRODUCTION (ASE_INT)	5
1.1	SECURITY TARGET AND TARGET OF EVALUATION REFERENCE	5
1.2	TARGET OF EVALUATION OVERVIEW	8
2	TARGET OF EVALUATION DESCRIPTION	11
2.1	TOE DEFINITION	11
2.2	SCOPE OF THE TOE	14
2.2.1	<i>Hardware of the TOE</i>	14
2.2.2	<i>Firmware and software of the TOE</i>	15
2.2.3	<i>Interfaces of the TOE</i>	16
2.2.4	<i>Guidance documentation</i>	17
2.2.5	<i>Forms of delivery</i>	18
2.2.6	<i>Production sites</i>	18
2.2.7	<i>TOE Configuration</i>	18
2.2.8	<i>TOE initialization with Customer Software</i>	19
3	CONFORMANCE CLAIMS (ASE_CCL)	21
3.1	CC CONFORMANCE CLAIM	21
3.2	PP CLAIM	21
3.3	PACKAGE CLAIM	21
3.4	CONFORMANCE RATIONALE	22
3.5	APPLICATION NOTES	23
4	SECURITY PROBLEM DEFINITION (ASE_SPD)	24
4.1	THREATS	24
4.1.1	<i>Additional Threat due to TOE specific Functionality</i>	24
4.1.2	<i>Assets regarding the Threats</i>	25
4.2	ORGANIZATIONAL SECURITY POLICIES	26
4.2.1	<i>Augmented Organizational Security Policy</i>	26
4.3	ASSUMPTIONS	27
4.3.1	<i>Augmented Assumptions</i>	28
5	SECURITY OBJECTIVES (ASE_OBJ)	29
5.1	SECURITY OBJECTIVES FOR THE TOE	29
5.2	SECURITY OBJECTIVES FOR THE DEVELOPMENT AND OPERATIONAL ENVIRONMENT	30
5.2.1	<i>Clarification of "Usage of Hardware Platform (OE.Plat-App)"</i>	31
5.2.2	<i>Clarification of "Treatment of User Data (OE.Resp-App)"</i>	31
5.2.3	<i>Clarification of "Protection during Composite product manufacturing (OE.Process-Sec-IC)"</i>	31
5.3	SECURITY OBJECTIVES RATIONALE	31
6	EXTENDED COMPONENT DEFINITION (ASE_ECD)	33
6.1	COMPONENT "SUBSET TOE SECURITY TESTING (FPT_TST)"	33
6.2	DEFINITION OF FPT_TST.2	33
6.3	TSF SELF TEST (FPT_TST)	34
6.4	FAMILY "GENERATION OF RANDOM NUMBERS (FCS_RNG)"	34
6.5	DEFINITION OF FCS_RNG.1	35

7	SECURITY REQUIREMENTS (ASE_REQ)	36
7.1	TOE SECURITY FUNCTIONAL REQUIREMENTS.....	36
7.1.1	<i>Extended Components FCS_RNG.1 and FAU_SAS.1</i>	37
7.1.2	<i>Subset of TOE testing</i>	38
7.1.3	<i>Memory access control</i>	39
7.1.4	<i>Support of Cipher Schemes</i>	43
7.1.5	<i>Data Integrity</i>	49
7.2	TOE SECURITY ASSURANCE REQUIREMENTS	50
7.2.1	<i>Refinements</i>	51
7.3	SECURITY REQUIREMENTS RATIONALE	51
7.3.1	<i>Rationale for the Security Functional Requirements</i>	51
7.3.2	<i>Rationale of the Assurance Requirements</i>	57
8	TOE SUMMARY SPECIFICATION (ASE_TSS)	59
8.1	SF_DPM: DEVICE PHASE MANAGEMENT.....	59
8.2	SF_PS: PROTECTION AGAINST SNOOPING.....	60
8.3	SF_PMA: PROTECTION AGAINST MODIFYING ATTACKS	61
8.4	SF_PLA: PROTECTION AGAINST LOGICAL ATTACKS	62
8.5	SF_CS: CRYPTOGRAPHIC SUPPORT	62
8.5.1	<i>3DES</i>	62
8.5.2	<i>AES</i>	63
8.5.3	<i>RSA</i>	63
8.5.4	<i>Elliptic Curves</i>	64
8.5.5	<i>Toolbox Library</i>	65
8.5.6	<i>Base Library</i>	65
8.5.7	<i>TRNG</i>	66
8.6	ASSIGNMENT OF SECURITY FUNCTIONAL REQUIREMENTS TO TOE'S SECURITY FUNCTIONALITY.....	67
8.7	SECURITY REQUIREMENTS ARE INTERNALLY CONSISTENT	68
9	REFERENCES	69
9.1	LITERATURE	69
10	APPENDIX	70
11	LIST OF ABBREVIATIONS	76
12	GLOSSARY	78

List of tables:

Table 1: Identification.....	6
Table 3: Augmentations of the assurance level of the TOE	21
Table 4: Threats according PP [1]	24
Table 5: Additional threats due to TOE specific functions and augmentations	25
Table 6: Organizational Security Policies according PP [1].....	26
Table 7: Assumption according PP [1]	27
Table 8: Objectives for the TOE according to PP [1].....	29
Table 9: Additional objectives due to TOE specific functions and augmentations	30
Table 10: Security objectives for the environment according to PP [1].....	30
Table 11: Security Objective Rationale	32
Table 12: Security functional requirements defined in PP [1].....	36
Table 13: Augmented security functional requirements	36
Table 14: Assurance components.....	51
Table 15: Rational for additional SFR in the ST	52
Table 16: Dependency for cryptographic operation requirement.....	55
Table 17: Mapping of SFR and SF.....	67
Table 18: Reference hash values of the CL97 Crypto and FTL libraries	70
Table 19: Reference hash values of the Mifare libraries	71

1 Security Target Introduction (ASE_INT)

1.1 Security Target and Target of Evaluation Reference

The title of this document is Security Target M9900 A21 including optional software libraries RSA – EC – Toolbox – FTL and comprises the Infineon Technologies Smart Card IC (Security Controller) M9900 A21 with optional RSA v1.03.006, EC v1.03.006, Toolbox v1.03.006 and Flash Translation Layer V1.01.0008 libraries with specific IC dedicated software.

The target of evaluation (TOE) M9900 A21 is described in the following. The Security Target has the version 1.2 and is dated 2013-01-22.

The Target of Evaluation (TOE) is an Infineon smart card IC (Security Controller) M9900 A21 including optional software libraries RSA – EC – Toolbox – FTL. The design step is A21.

The Security Target is based on the Protection Profile “Smartcard IC Platform Protection Profile” [1].

The Protection Profile and the Security Target are built in compliance with Common Criteria v3.1.

The ST takes into account all relevant current final interpretations.

Table 1: Identification

	Version	Date	Registration
Security Target	1.2	2013-01-22	M9900 A21
Target of Evaluation	A21, C21, D21 See remark 1		M9900 with Firmware Identifier 80001141 and external Flash-memory (optional) and Management of Mifare-compatible Cards 01.03.0927 (optional) and Management of Mifare-compatible Cards 01.04.1275 (optional) and Mifare-compatible Reader Mode Support 01.02.0800 (optional) and RSA2048 V1.03.006 (optional) and RSA4096 V1.03.006 (optional) and EC V1.03.006 (optional) and Toolbox V1.03.006 (optional) and Flash Translation Layer V1.01.0008 (optional) and Guidance documentation
	Revision 2.1 ID021310 Rev. 2.1 Edition July 31, 2012 Rev.1.3 V1.03.006 Rev. 1.0	2012-09-03 12. February 2010 2012-10-02 May 10, 2012 2012-07-31 2013-01-22 Edition August 16, 2012 2012-07-10	SLE97 Hardware Reference Manual ARMv7-M Architecture Reference Manual, ARM DDI 0403D ID021310, ARM Limited SLE 97 Programmer's Reference User's Manual SLE97 / SLC14 Family Production and Personalization User's Manual M9900 Security Guidelines User's Manual M9900 Errata Sheet SLE97 Asymmetric Crypto Library for Crypto@2304T RSA/ECC/Toolbox User Interface (optional) SLE 97 Flash Translation Layer User's Guidance (optional)
	1.0	2007-06-15	Security IC Platform Protection Profile PP0035
Common Criteria	3.1 Revision 3	2009-July	Common Criteria for Information Technology Security Evaluation Part 1: Introduction and general model CCMB-2009-07-001

			Part 2: Security functional requirements CCMB-2009-07-002 Part 3: Security Assurance Components CCMB-2009-07-003
--	--	--	---

A customer can identify the TOE and its configuration (for details see chapter 2.2.7) using the Non-ISO ATR. The TOE answers the Non-ISO-ATR with a Generic Chip Identification Mode (GCIM). This GCIM outputs the chip identification data, as defined in the SLE97 Family – Hardware Reference Manual [7], including the chip identification number (byte 05 and 06 Silicon Identification Number: 00 07), design step, firmware identifier, mask identifier, temperature range and system frequency. Additionally the customer can read the configuration area as defined in the SLE97 Programmer’s Reference User’s Manual [11].

Remark 1:

The derivatives of the TOE coming with the additional top layer on board (WLP, WLB) are managed with an own design step. These derivatives output a C21 in the GCIM for the WLP derivate and a D21 for the WLB derivate, which is always linked to the A21 design step. The C21 or D21 design step is only outputted at the derivatives with the additional top layer. All other identification options, i.e. the various metal option identifiers of the GCIM remain unchanged.

1.2 Target of Evaluation overview

The TOE comprises the Infineon Technologies AG security controller M9900 with specific IC dedicated software and optional RSA, EC, Toolbox and Flash Translation Layer (FTL) libraries.

The TOE is a member of the Infineon Technologies AG security controller family SLE97 meeting high requirements in terms of performance and security. The SLE97 family has been developed with a modular concept and different memory configurations, sets of peripherals and interfaces as well as different security features to satisfy market requirements. A summary product description is given in this Security Target (ST).

The TOE offer all functions that are both required and useful in security systems, and integrated peripherals that are typically needed in chipcard applications, such as information security, identification, access control, GSM and UMTS projects, electronic banking, digital signature and multi-application cards, ID cards, transportation and e-purse applications.

The TOE implements a dedicated security 32-bit RISC CPU designed on the basis of the ARMv7_M architecture designed in 90 nm CMOS technology. The integrated peripheral combine enhanced performance and optimized power consumption for a minimized die size to make the SLE97 controllers ideal for chipcard applications. The TOE offer a wide range of peripherals, including a UART (using the ISO interface), four timers, two watchdogs, a CRC module, a true RNG (TRNG), coprocessors for symmetric (e.g. DES, AES) and asymmetric (e.g. RSA, EC) cryptographic algorithms. Additionally a range of communication interfaces, such as GPIO, I2C, SWP, USB, SSC/SPI and a Mifare-compatible Interface are offered to provide maximum flexibility in terms of simultaneously communication ability.

The TOE provides a real 32-bit CPU-architecture and is compatible to the ARMv7-M instruction set architecture. The major components of the core system are the 32-bit CPU as a variant of the ARM Secure Core SC300, the Cache system, the Memory Protection Unit and the Memory Encryption/Decryption Unit. The TOE implements a full 32-bit addressing with up to 4 GByte linear addressable memory space, a simple scalable memory management concept and a scalable stack size. The flexible memory concept is built on the non volatile memory, respectively Infineon® SOLID FLASH™¹. For the Infineon® SOLID FLASH™ the Unified Channel Programming (UCP) memory technology is used. Additionally an optional external Flash-memory connected via the SPI interface is available.

The TOE provides the low-level firmware components Boot System (BOS) and Resource Management System (RMS) and the high-level firmware Flash Loader (FL) and Mifare-compatible software. The RMS firmware providing some functionality via an API to the Smartcard Embedded Software contains for example Infineon® SOLID FLASH™ service routines and functionality for the tearing save write into the Infineon® SOLID FLASH™. The BOS firmware is used for test purposes during start-up and the FL allows downloading of user software to the NVM during the manufacturing process. The BOS is implemented in a separated Test-ROM being part of the TOE. The Mifare-compatible software includes support for the Mifare-compatible card as well as support to ease the implementation of the reader functionality.

The two cryptographic co-processors serve the need of modern cryptography: The symmetric co-processor (SCP) combines both AES and Triple-DES with dual-key or triple-key hardware acceleration. The Asymmetric Crypto Co-processor, called Crypto2304T in the following, supports RSA-2048 bit (4096-bit with CRT) and Elliptic Curve (EC) cryptography with high performance.

A True Random Number Generator (TRNG) specially designed for smart card applications is implemented. The TRNG fulfils the requirements from the functionality class PTG.2 of the AIS31 and produces genuine random numbers which then can be used internally or by the user software.

The software part of the TOE consists of the cryptographic libraries RSA and EC and the supporting Toolbox and Base libraries and the optional Flash Translation Layer (FTL). The FTL

¹ Infineon® SOLID FLASH™ is an Infineon Trade Mark and stands for Flash EEPROM technology.

can be used to communicate with the optional external Flash-memory. If RSA or EC or Toolbox is part of the shipment, the Base Library is automatically included.

The RSA library is used to provide a high-level interface to RSA (Rivest, Shamir, Adleman) cryptography implemented on the hardware component Crypto2304T and includes countermeasures against SPA, DPA and DFA attacks. The routines are used for the generation of RSA key pairs (RsaKeyGen), RSA signature verification (RsaVerify), RSA signature generation (RsaSign) and RSA modulus recalculation (RsaModulus). The hardware Crypto2304T unit provides the basic long number calculations (add, subtract, multiply, square with 1100 bit numbers) with high performance. The RSA library is delivered as object code. The RSA library can perform RSA operations from 512 to 4096 bits. Following the BSI² recommendations, key lengths below 1024 bits are not included in the certificate.

The EC library is used to provide a high-level interface to Elliptic Curve cryptography implemented on the hardware component Crypto2304T and includes countermeasures against SPA, DPA and DFA attacks. The routines are used for ECDSA signature generation, ECDSA signature certification, ECDSA key generation and Elliptic Curve Diffie-Hellman key agreement. The EC library is delivered as object code. The certification covers the standard NIST [DSS] and Brainpool [ECC] Elliptic Curves with key lengths of 160, 163, 192, 224, 233, 256, 283, 320, 384, 409, 512 or 521 Bits, due to national AIS32 regulations by the BSI. Note that there are numerous other curve types, being also secure in terms of side channel attacks on this TOE, which can the user optionally add in the composition certification process.

The Toolbox library does not provide cryptographic support or additional security functionality as it provides only the following basic long integer arithmetic and modular functions in software, supported by the cryptographic coprocessor: Addition, subtraction, division, multiplication, comparison, reduction, modular addition, modular subtraction, modular multiplication, modular inversion and modular exponentiation. No security relevant policy, mechanism or function is supported. The toolbox library is deemed for software developers as support for simplified implementation of long integer and modular arithmetic operations.

The Base Library provides the low level interface to the asymmetric cryptographic coprocessor and has no user available interface. The base library does not provide any security functionality, implements no security mechanisms, and does not does not contribute to a security functional requirement.

The Flash Translation Layer Library provides the interface to the external Flash-memory. The Flash Translation Layer Library does not provide any security functionality, implements no security mechanism, and does not contribute to a security functional requirement.

The cryptographic libraries RSA and EC, the Toolbox library and the Flash Translation Layer are delivery options. If one of the libraries RSA, EC or Toolbox is delivered, the Base Lib is automatically part of it. Therefore the user may choose a free combination of these libraries. In the case of deselecting one or several of these libraries the TOE does not provide the corresponding functionality for Additional Specific Security Functionality Rivest-Shamir-Adleman Cryptography (RSA) and/or Elliptic Curve cryptography (EC). The Toolbox, Base Library and Flash Translation Layer are no cryptographic libraries and provide no additional specific security functionality.

To fulfill the high security standards for smartcards today and also in the future, this TOE utilizes an integral security concept comprising countermeasure mechanisms specially designed against possible attack scenarios. The TOE provide a robust set of sensors for the purpose of monitoring proper chip operating conditions and detecting fault attack scenarios. The sensors are complemented with digital error detection mechanisms such as parities, error detection codes and instruction stream signatures. Probing and forcing attacks will be counteracted by the I2-Shield approach, implemented by an Infineon-specific shielding combined with secure wiring of security critical signals, partly masking of security critical signals and by encryption of all memories inside

² Bundesamt für Sicherheit in der Informationstechnik (BSI) ist the German Federal Office for Information Security

the chip (RAM, ROM, NVM). A decentralized alarm propagation and system deactivation principle is implemented, further decreasing the risk of manipulating and tampering. Additionally, an online check of the security mechanisms is available by using the User Mode Security Life Control (UMSLC). Side-channel attacks (e.g. Timing Attack, SPA, DPA, EMA) are typically defeated using a combination of hardware and software mechanisms, for this the TOE provides several supporting features e.g. trash register writes and instruction interrupt prevention. The Instruction Stream Signature Checking (ISS) is a powerful countermeasure against fault attacks that try to manipulate the execution sequence of the instruction stream. All executed instructions are hashed in the CPUs signature register and the hardware automatically checks the fitting of the values.

In this security target the TOE is described and a summary specification is given. The security environment of the TOE during its different phases of the lifecycle is defined. The assets are identified which have to be protected through the security policy. The threats against these assets are described. The security objectives and the security policy are defined, as well as the security requirements. These security requirements are built up of the security functional requirements as part of the security policy and the security assurance requirements. These are the steps during the evaluation and certification showing that the TOE meets the targeted requirements. In addition, the functionality of the TOE matching the requirements is described.

The assets, threats, security objectives and the security functional requirements are defined in this Security Target and in [1] and are referenced here. These requirements build up a minimal standard common for all Smartcards.

The security functions are defined here in the security target as property of this specific TOE. Here it is shown how this specific TOE fulfils the requirements for the standard defined in the Protection Profile [1].

2 Target of Evaluation Description

The TOE description helps to understand the specific security environment and the security policy. In this context the assets, threats, security objectives and security functional requirements can be employed. The following is a more detailed description of the TOE than in [1] as it belongs to the specific TOE.

2.1 TOE Definition

The TOE consists of smart card ICs (Security Controllers) meeting high requirements in terms of performance and security. They are manufactured by Infineon Technologies AG in a 90 nm CMOS-technology (L90). This TOE is intended to be used in smart cards for particularly security-relevant applications and for its previous use as developing platform for smart card operating systems according to the lifecycle model from [1]

The term Smartcard Embedded Software is used in the following for all operating systems and applications stored and executed on the TOE. The TOE is the platform for the Smartcard Embedded Software. The Smartcard Embedded Software itself is not part of the TOE.

The TOE consists of a core system, memories, co-processors, security peripherals, control logic and peripherals. The major components of the core system are the 32-bit CPU (Central Processing Unit), the MPU (Memory Protection Unit), the MED (Memory Encryption/Decryption Unit), the Nested Vectored Interrupt Controller (NVIC), the Instruction Stream Signature Checking (ISS) and the Cache system. The TOE contains the co-processors for RSA/EC (Crypto2304T) and DES/AES (SCP) processing, a CRC module and the peripherals random number generator, four timers and two watchdog timers and several external interface services. All data of the memory block is encrypted, RAM and ROM are equipped with an error detection code (EDC) and the Infineon® SOLID FLASH™ is equipped in addition with an error correction code (ECC).

The memories are connected to the Core with the AXI™ Memory Bus and the peripherals are connected with the APB™ Peripheral Bus.

The Analog Modules (ANA) serve for operation within the specified range and manage the alarms. A set of sensors (temperature sensor, backside light detector, glitch sensor) is used to detect excessive deviations from the specified operational range and serve for robustness of the TOE and the UMSLC function can be used to test the alarm lines.

The CPU is compatible with the instruction set of the ARMv7_M architecture. Despite its compatibility the CPU implementation is entirely proprietary and not standard.

The CPU accesses the memory via the integrated Memory Encryption and Decryption unit (MED). The memory model of the TOE provides two distinct, independent levels. Additionally up to eight regions can be defined with different access rights controlled by the Memory Protection Unit (MPU). Errors in RAM and ROM are automatically detected (EDC, Error Detection Code), in terms of the Infineon® SOLID FLASH™ errors are detected and 1-Bit-errors are also corrected (ECC, Error Correction Code).

The controller of this TOE store both code and data in a linear 4-GByte memory space, allowing direct access without the need to swap memory segments in and out of memory using a memory protection unit.

Additionally an optional external Flash-memory (EXF) connected via the SSC/GPIO interfaces is available. The data stored in the external Flash-memory are not protected as the external Flash-memory is not part of the security functional requirements (SFR) of the TOE and not in the scope of the evaluation.

The CACHE is a high-speed memory-buffer located between the CPU and the (external) main memories holding a copy of some of the memory contents to enable access, which is considerably faster than retrieving the information from the main memory. In addition to its fast access speed,

the CACHE also consumes less power than the main memories. The CACHE is equipped with a integrity check to verify the contents of the cache memories.

A True Random Number Generator (TRNG) specially designed for smart card applications is implemented. The TRNG fulfils the requirements from the functionality class PTG.2 of the AIS31 and produces genuine random numbers which then can be used internally or by the user software.

The implemented sleep mode logic (clock stop mode per ISO/IEC 7816-3) is used to reduce the overall power consumption. The timers permits easy implementation of communication protocols such as T=1 and all other time-critical operations. The UART-controlled I/O interface allows the smart card controller and the terminal interface to be operated independently.

The Clock Unit (CLKU) supplies the clocks for all components of the TOE. It generates the system clock and an approximately 1MHz clock for the timers. The 1MHz clock is derived from an internal oscillator, while the system clock may either be based on the internal oscillator clock (internal clock mode) or on an external clock (external clock mode). Additionally a sleep mode is available. When operating in the internal clock mode the system frequency can be configured by the user software combined with the current limitation functionality. In the external clock mode the clock is derived from the external clock and a parameter with the range of 1 to 8. The system frequency may be 1 up to 8 times the externally applied frequency but is of course limited to the maximum system frequency and can be combined with the current limitation function.

Two co-processors for cryptographic operations are implemented on the TOE. The Crypto2304T for calculation of asymmetric algorithms like RSA and Elliptic Curve (EC) and the Symmetric Cryptographic Processor (SCP) for dual-key or triple-key triple-DES and AES calculations. These co-processors are especially designed for smart card applications with respect to the security and power consumption. The SCP module computes the complete DES algorithm within a few clock cycles and is especially designed to counter attacks like DPA, EMA and DFA. The Crypto2304T module provides basic functions for the implementation of RSA and EC cryptographic libraries.

Note that this TOE can come with both crypto co-processors accessible, or with a blocked SCP or with a blocked Crypto2304T, or with both crypto co-processors blocked. The blocking depends on the customer demands prior to the production of the hardware. No accessibility of the deselected cryptographic co-processors is without impact on any other security policy of the TOE; it is exactly equivalent to the situation where the user decides just not to use the cryptographic co-processors.

The cyclic redundancy check (CRC) module is a 16-bit checksum generator, which shall not be used for security-critical data. The TOE includes two timer modules each with two 16-bit general purpose timers. The timer module can be used also as watchdog timer to monitor system operation for possible timeouts and to check the correct order of operation.

A Interface Management module, located in the System Module (SYS), provides the TOE with the possibility to maintain two or more data interfaces simultaneously. The TOE is provided with, dependent on the configuration, different peripherals and interfaces as the Universal Serial Bus (USB), the SWP Slave Peripheral (SWP), the Synchronous Serial Communication (SSC), which provides the serial Peripheral Interface (SPI), the GPIO module (GPIO), the Inter-Integrated Circuit Module (I2C) and the Standard ISO Interface (PAD) to satisfy the different market requirements.

The BOS (Boot Software) and the RMS (Resource Management System) compose the TOE firmware stored in the ROM and the patches hereof in the Infineon® SOLID FLASH™. All mandatory functions for start-up and internal testing (BOS) are protected by a dedicated hardware firewall. Additionally two levels are provided, the privileged level and the user level, both are protected by a hardwired Memory Protection Unit (MPU) setting. The RMS is accessible in privileged level only. The FL (Flash Loader) and the Mifare-compatible software compose the TOE software stored in the Infineon® SOLID FLASH™. The FL allows downloading of user software to the NVM during the manufacturing process and can be completely deactivated.

The Mifare-compatible software includes the Mifare-compatible Operating System and additionally the optional library Management of Mifare-compatible Cards (version 01.03.0927 and 01.04.1275) and the optional library Mifare-compatible Reader Mode Support (01.02.0800). The Management

of Mifare-compatible Cards provides an API for the management and generation of Mifare-compatible Cards (note that the version 01.04.1275 provides an additionally command). The optional Mifare-compatible Reader Mode support library (01.02.0800) enables an access to external Mifare-compatible cards.

The user software can be implemented in various options depending on the user's choice and described in chapter 1.1. Thereby the user software can be implemented the NVM or coming without user software. In the latter case, the user downloads his entire software on his own using the Flash Loader software.

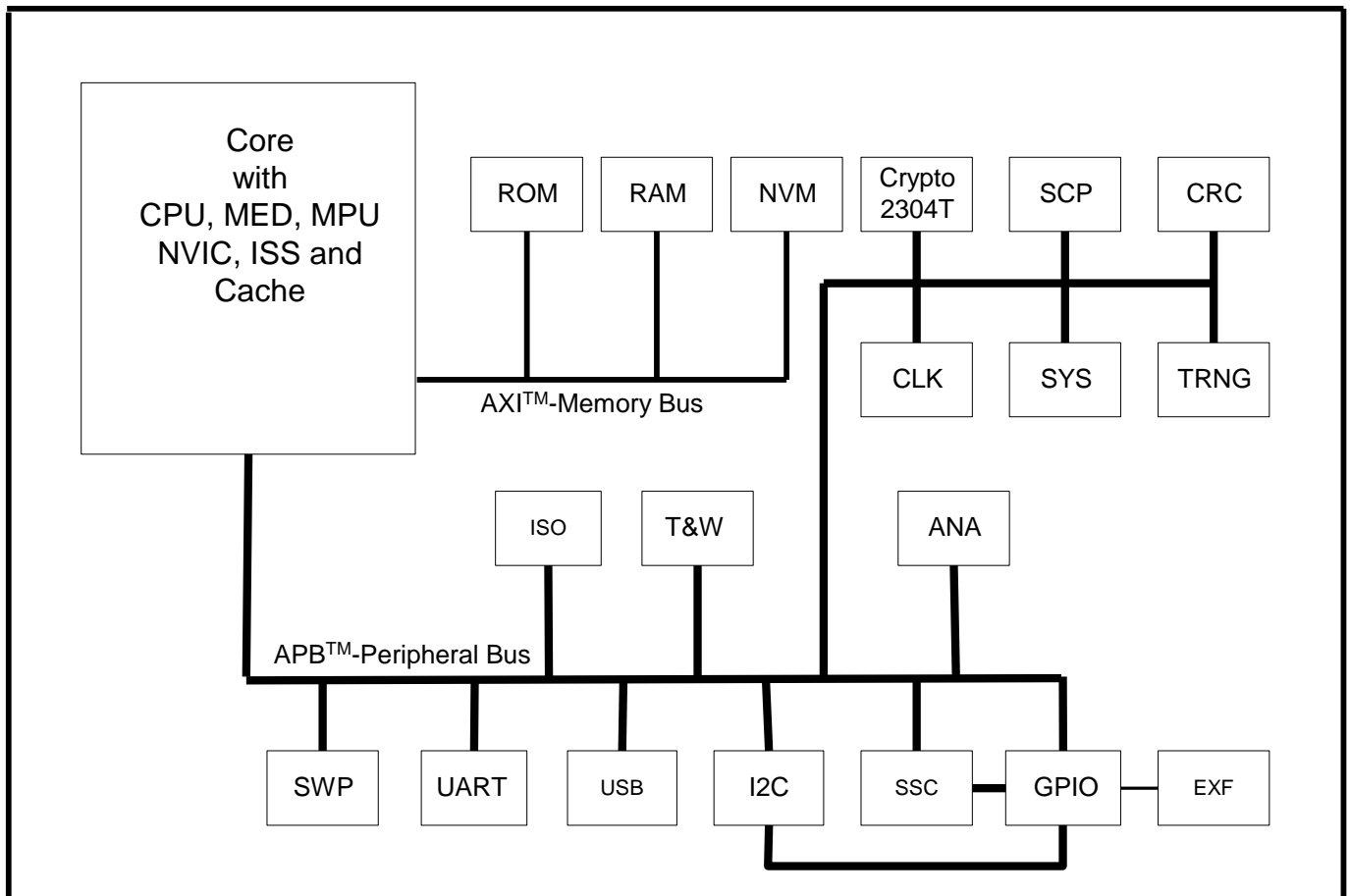
The TOE uses also Special Function Registers SFR. These SFR registers are used for general purposes and chip configuration. These registers are located in the Infineon® SOLID FLASH™ as configuration area page.

An intelligent shielding algorithm finishes the upper layers above security critical signals and wires, finally providing the so called "I2-shield".

The TOE with its integrated security features meets the requirements of all smart card applications such as information integrity, access control, mobile telephone and identification, as well as uses in electronic funds transfer and healthcare systems.

To sum up, the TOE is a powerful smart card IC with a large amount of memory and special peripheral devices with improved performance, optimized power consumption, at minimal chip size while implementing high security.

Figure 1: Block diagram of the TOE



Core	Core System	ROM	Read Only Memory
NVM	Infineon® SOLID FLASH™ memory	RAM	Random Access Memory
CLK	Clock Unit	SYS	System Module
Crypto	Crypto2304T	SCP	Symmetric Crypto Processor
CRC	Cyclic Redundancy Check	TRNG	True Random Number Generator
T&W	Timer and Watchdog	UART	UART
I2C	Inter Integrated Chip	GPIO	General Purpose IO
SSC	Synchronous Serial Communication	SWP	Single Wire Protocol
USB	Universal Serial Bus	ANA	Analog Units
ISO	Standard Interface	ISO	Standard ISO Interface
EXF	External Flash-memory (optional)		

2.2 Scope of the TOE

The TOE comprises three parts:

- Hardware of the smart card security controller
- Associated firmware and software
- Documents.

The hardware configuration options and configuration methods are described in section 1.1. The second part of this TOE includes the associated firmware and software required for operation. The TOE can be delivered in various configurations, achieved by means of blocking and depending on the customer order.

The documents as described in section 2.2.4 and listed in Table 1, are supplied as user guidance. All product derivatives of this TOE, including all configuration possibilities differentiated by the GCIM data and the configuration information output, are manufactured by Infineon Technologies AG. In the following descriptions, the term “manufacturer” stands short for Infineon Technologies AG, the manufacturer of the TOE. The Smartcard Embedded Software respectively user software is not part of the TOE. New configurations can occur at any time depending on the user blocking or by different configurations applied by the manufacturer. In any case the user is able to clearly identify the TOE hardware, its configuration and proof the validity of the certificate independently, meaning without involving the manufacturer. The various blocking options, as well as the means used for the blocking, are done during the manufacturing process or at user premises. Entirely all means of blocking and the, for the blocking involved firmware respectively software parts, used at Infineon Technologies AG and/or the user premises, are subject of the evaluation. All resulting configurations of a TOE derivative are subject of the certificate. All resulting configurations are either at the predefined limits or within the predefined configuration ranges.

2.2.1 Hardware of the TOE

The hardware part of the TOE (see Figure 1) as defined in [1] is comprised of:

Core System

- 32-bit CPU implementation of ARM Secure Core SC300 based on ARMv7-M Instruction set architecture including the Instruction Stream Signature Checking (ISS)
- CACHE for code and data buffering
- Memory Encryption/Decryption Unit (MED) and Error Detection Unit
- Memory Protection Unit (MPU)
- Nested Vectored Interrupt Controller (NVIC)

Memories

- Read-Only Memory (ROM, for internal firmware)

- Random Access Memory (RAM)
- Infineon® SOLID FLASH™ memory (NVM)
- External Flash-memory (EXF, optional)

Note that the TOE has implemented a Infineon® SOLID FLASH™ memory module. Parts of this memory module are configured to work as an EEPROM.

Peripherals

- Universal Asynchronous Receiver/Transmitter (UART)
- Single-Wire Protocol (SWP) with Mifare-compatible interface
- Inter Integrated Circuite (I2C) interface
- General Purpose Input Output (GPIO)
- Synchronous Serial Communication (SSC) which provides the Serial Peripheral Interface (SPI)
- Universal Serial Bus (USB) interface
- Standard ISO Interface (PAD)

True Random Number Generator (TRNG)

Timers and Watchdog including a checkpoint register (T&W)

System Module (SYS)

Clock Unit (CLK)

Coprocessors

- Crypto2304T co-processor for asymmetric algorithms like RSA and EC (Crypto, optional)
- Symmetric Crypto co-processor for 3DES and AES Standards (SCP, optional)
- Checksum module (CRC)

Analog Module (ANA)

- Glitch Sensor
- Temperature Sensor
- Backside Light Detector
- User Mode Security Life Control (UMSLC)

Buses

- AXI™ Memory Bus
- APB™ Peripheral Bus

2.2.2 Firmware and software of the TOE

The entire firmware and software of the TOE consists of different parts:

One part comprises the RMS routines for Infineon® SOLID FLASH™ programming and security functions test (Resource Management System, IC Dedicated Support Software in PP [1]). The RMS routines are stored from Infineon Technologies AG in the ROM.

The second part is the BOS, consisting of test and initialization routines (Boot System, IC Dedicated Test Software in PP [1]). The BOS routines are stored in the especially protected test ROM and are not accessible for the user software.

The third part is the Flash Loader, a piece of software located in the ROM and allowing downloading the user software or parts of it to the Infineon® SOLID FLASH™ memory. After completion of the download the Flash Loader can be permanently deactivated by the user.

The fourth part is the Mifare-compatible Interface routines called via RMS routines if the Mifare-compatible interface option is active. Note that the Mifare-compatible Interface portion is always present but deactivated in case of the non-Mifare compatible Interface derivatives. Thus the user interface is identically in both cases and subsequently the Mifare-compatible Interface routines can be called in each of the derivatives. In case Mifare-compatible Interface routines are called in derivatives without Mifare-compatible Interface a dedicated error code is returned and in case of the Mifare-compatible Interface derivative the according function is performed. The Management of Mifare-compatible Cards library and the Mifare-compatible Reader Mode Support library are optional components which can be chosen by the user.

The optional software part of the TOE consists of the cryptographic libraries RSA and EC and the supporting Toolbox and Base libraries, the optional Flash Translation Layer (FTL) and the Management of Mifare-compatible Cards library and the Mifare-compatible Reader Mode Support library.

The RSA library is used to provide a high-level interface to the RSA cryptography implemented on the hardware component Crypto2304T and includes countermeasures against SPA, DPA and DFA attacks. The routines are used for the generation of RSA Key Pairs (RsaKeyGen), the RSA signature verification (RsaVerify), the RSA signature generation (RsaSign) and the RSA modulus recalculation (RsaModulus). The module provides the basic long number calculations (add, subtract, multiply, square with 1100-bit numbers) with high performance.

The RSA library is delivered as object code and is integrated in this way into the user software. The RSA library can perform RSA operations from 512 to 4096 bits. Depending on the customer's choice, the TOE can be delivered with the 4096 code portion or with the 2048 code portion only. The 2048 code portion is included in both.

Part of the evaluation are the RSA straight operations with key lengths from 1024 bits to 2048 bits, and the RSA CRT operations with key lengths of 1024 bits to 4096 bits. Note that key lengths below 1024 bits are not included in the certificate.

The EC library is used to provide a high level interface to Elliptic Curve cryptography and includes countermeasures against SPA, DPA and DFA attacks. The routines are used for ECDSA signature generation, ECDSA signature verification, ECDSA key generation and Elliptic Curve Diffie-Hellman key agreement. The EC library is delivered as object code and integrated in this way into the user software. The certification covers the standard NIST [DSS] and Brainpool [ECC] Elliptic Curves with key lengths of 160, 163, 192, 224, 233, 256, 283, 320, 384, 409, 512 or 521 Bits, due to national AIS32 regulations by the BSI. Note that there are numerous other curve types, being also secure in terms of side channel attacks on this TOE, which can the user optionally add in the composition certification process.

The toolbox library provides long integer and modular arithmetic operations. It does not support any security relevant policy or function.

The Base Library provides the low level interface to the asymmetric cryptographic coprocessor for the cryptographic libraries and has no user available interface. It does not support any security relevant policy or function.

The Flash Translation Layer (FTL) is the interface to the external Flash-memory and is provided optional to the customer as a binary link library.

2.2.3 Interfaces of the TOE

- The physical interface of the TOE to the external environment is the entire surface of the IC.

- The electrical interface of the TOE to the external environment is constituted by the pads of the chip:
 - The five ISO 7816 pads consist particularly of the contacted RES, I/O, CLK lines and supply lines VCC and GND. The contact based communication is according to ISO 7816/ETSI/EMV.
The I2C communication can be driven via the ISO 7816 pads. In this case no other communication using the ISO 7816 pads is possible.
 - The GPIO interface consists of 4 pads which can be individually configured and combined in various ways.
 - Also the I2C and the SSC/SPI communication can be exclusively driven via the GPIO pads. In this case no other communication using the GPIO pads is possible.
 - The USB interface is build out of two dedicated pads for data communication and two pads used from the ISO 7816 interface supplying power and ground.
 - The SWP interface is build out of one pad to support the SWP slave functionality.
- The data-oriented I/O interface to the TOE is formed by the I/O pad.
- The interface to the firmware is constituted by special registers used for hardware configuration and control (Special Function Registers, SFR).
- The interface of the TOE to the operating system is constituted on one hand by the RMS routine calls and on the other by the instruction set of the TOE.
- The interface of the TOE to the test routines is formed by the BOS test routine call, i.e. entry to test mode (OS-TM entry).
- The interface to the RSA calculations is defined by the RSA library (optionally).
- The interface to the EC calculations is defined by the EC library (optionally).
- The interface to the Toolbox basic arithmetic functions is defined by the Toolbox library (optionally).
- The interface to the external Flash-memory is defined by the Flash Translation Layer (optionally).

2.2.4 Guidance documentation

The guidance documentation consists

- SLE97 Hardware Reference Manual
- ARMv7-M Architecture Reference Manual, ARM Limited , ARM DDI 0403D ID021310, 12. February 2010
- SLE97 / SLC14 Family Production and Personalization User´s Manual
- SLE 97 Programmer´s Reference User´s Manual
- M9900 Security Guidelines User´s Manual
- M9900 Errata Sheet
- SLE97 Asymmetric Crypto Library for Crypto@2304T RSA/ECC/Toolbox User Interface (optional)

- SLE 97 Flash Translation Layer User's Guidance (optional)

Finally the certification report may contain an overview of the recommendations to the software developer regarding the secure use of the TOE. These recommendations are also included in the ordinary documentation.

2.2.5 Forms of delivery

The TOE can be delivered in form of bare dies, in form of plain wafers, in form of complete modules (wire bond module M4.x, provided as single chip wire bond or as stacked wire bond), or in one of the following an IC cases: MFC5.8 (FCOS), PG-VQFN-8-1, PG-VQFN-32-13 (SMD). The form of delivery does not affect the TOE security and it can be delivered in any form, as long as the processes applied and sites involved have been subject of the appropriate audit.

The delivery can therefore be at the end of phase 3 or at the end of phase 4 which can also include pre-personalization steps according to PP [1]. Nevertheless in both cases the TOE is finished and the extended test features are removed. In this document are always both cases mentioned to avoid incorrectness but from the security policy point of view the two cases are identical.

The delivery to the software developer (phase 2 → phase 1) contains the development package and is delivered in form of documentation as described above, data carriers containing the tools and emulators as development and debugging tool.

Part of the software delivery could also be the Flash Loader program, provided by Infineon Technologies, running on the TOE and receiving via the UART interface the transmitted information of the user software to be loaded into the Infineon® SOLID FLASH™ memory. The download is only possible after successful authentication. The user software can also be downloaded in an encrypted way. In addition, the user can permanently block further use of the Flash Loader. Whether the Flash Loader program is present or not depends on the procurement order.

2.2.6 Production sites

The TOE may be handled in different production sites but the silicon of this TOE is produced in Dresden, Germany only, as listed below. To distinguish the different production sites of various products in the field, the site is coded into the Chip Ident Mode data. The exact coding of the chip identification data is described in [7], section Generic Chip Identification Mode.

The delivery measures are described in the ALC_DVS aspect.

2.2.7 TOE Configuration

This TOE is represented by various configurations called products, which are all derived from the equal hardware design M9900. The same mask is used to produce different products of the TOE. The first metal mask (called the M1 mask) contains the specific information to identify the TOE.

The M9900 product offers different configuration options, which a customer can choose. The mechanism to choose a configuration can be done by the following methods:

1. by product selection or dialog-based in Tools,
2. via Bill-per-Use (BpU) and Flash Loader (FL),

The degree of freedom for configuring the TOE is predefined by Infineon Technologies AG. The list of predefined TOE configurations is given, as an example in Table 3 and in the SLE97 Hardware Reference Manual [7], section 18.

All these possible TOE configurations equal and/or within the specified ranges are covered by the certificate.

Beside fix TOE configurations, which can be ordered as usual, this TOE implements optionally the so called Bill-Per-Use (BPU) ability. This solution enables the customer to tailor the product on his own to the required configuration by blocking parts of the chip on demand into the final configuration at his own premises, without further delivery or involving support by Infineon Technology AG. Customers, who are intended to use this feature receiving the TOE in a predefined configuration including the Flash Loader software, enhanced with the BPU blocking software. The blocking information is part of a chip configuration area and can be modified by customers using specific APDUs. Once a final blocking is done, further modifications are disabled.

The BPU software part is only present on the products which have been ordered with the BPU option. In all other cases this software is not present on the product.

Additionally the user can choose between different optional software libraries.

The user can choose between one of the Management of Mifare-compatible Cards libraries (version 01.03.0927 or 01.04.1275) and the Mifare-compatible Reader Mode Support library (01.02.0800) or the user can choose only one of the three libraries.

The user can choose one or a free combination out of the libraries RSA2048 (V1.03.006), RSA4096 (V1.03.006), EC (V1.03.006) and Toolbox (V1.03.006).

In the case the TOE is equipped with the External Flash memory the user can choose the Flash Translation Layer (V1.01.0008) library.

2.2.8 TOE initialization with Customer Software

Beside the various TOE configurations further possibilities of how the user inputs his software on the TOE are in place. This provides a maximum of flexibility and for this an overview is given in the following table:

Table 2: Options to implement user software at Infineon production premises

1.	The user or/and a subcontractor downloads the software into the Infineon® SOLID FLASH™ memory on his own. Infineon Technologies AG has not received user software and there are no user data in the ROM.	The Flash Loader can be activated or reactivated by the user or subcontractor to download his software in the Infineon® SOLID FLASH™ memory.
2	The user provides software for the download into the Infineon® SOLID FLASH™ memory to Infineon Technologies AG. The software is downloaded to the Infineon® SOLID FLASH™ memory during chip production. There are no user data in the ROM.	The Flash Loader is deactivated.
3	The user provides software for the download into the Infineon® SOLID FLASH™ memory to Infineon Technologies AG. The software is downloaded to the	The Flash Loader is blocked afterwards but can be activated or reactivated by the user or subcontractor to download his software in the Infineon® SOLID FLASH™ memory.

	Infineon® SOLID FLASH™ memory during chip production. There are no user data in the ROM	Precondition is that the user has provided an own reactivation procedure in software prior chip production to Infineon Technologies AG.
--	---	---

The Generic Chip Identification Mode (GCIM) data of the TOE allows an unique identification of each TOE and provides several detailed production information. The Chip Identification Mode data is accessible by a non-ISO reset or can be read directly from the configuration area located at the NVM by the user operating system. The SLE97 Hardware Reference Manual [7] gives a detailed description of the GCIM data.

3 Conformance Claims (ASE_CCL)

3.1 CC Conformance Claim

This Security Target (ST) and the TOE claim conformance to Common Criteria version v3.1 part 1 [2], part 2 [3] and part 3 [4].

Conformance of this ST is claimed for:

Common Criteria part 2 extended and Common Criteria part 3 conformant.

3.2 PP Claim

This Security Target is in **strict conformance** to the Security IC Platform Protection Profile [1].

The Security IC Platform Protection Profile is registered and certified by the Bundesamt für Sicherheit in der Informationstechnik³ (BSI) under the reference BSI-PP-0035, Version 1.0, dated 15.06.2007.

The security assurance requirements of the TOE are according to the Security IC Platform Protection Profile [1]. They are all drawn from Part 3 of the Common Criteria version v3.1.

The augmentations of the PP [1] are listed below.

Table 3: Augmentations of the assurance level of the TOE

Assurance Class	Assurance components	Description
Life-cycle support	ALC_DVS.2	Sufficiency of security measures
Vulnerability assessment	AVA_VAN.5	Advanced methodical vulnerability analysis

3.3 Package Claim

This Security Target does not claim conformance to a package of the PP [1].

The assurance level for the TOE is EAL5 augmented with the components ALC_DVS.2 and AVA_VAN.5.

³ Bundesamt für Sicherheit in der Informationstechnik (BSI) is the German Federal Office for Information Security

3.4 Conformance Rationale

This security target claims strict conformance only to one PP, the PP [1].

The Target of Evaluation (TOE) is a typical security IC as defined in PP chapter 1.2.2 comprising:

- the circuitry of the IC (hardware including the physical memories),
- configuration data, initialisation data related to the IC Dedicated Software and the behaviour of the security functionality
- the IC Dedicated Software with the parts
- the IC Dedicated Test Software,
- the IC Dedicated Support Software.

The TOE is designed, produced and/or generated by the TOE Manufacturer.

Security Problem Definition:

Following the PP [1], the security problem definition is enhanced by adding an additional threat, an organization security policy and an augmented assumption. Including these add-ons, the security problem definition of this security target is consistent with the statement of the security problem definition in the PP [1], as the security target claimed strict conformance to the PP [1].

Conformance Rationale:

The augmented organizational security policy P.Add-Functions, coming from the additional security functionality of the cryptographic libraries, the augmented assumption A.Key-Function, related to the usage of key-depending function, and the threat memory access violation T.Mem-Access, due to specific TOE memory access control functionality, have been added. These add-ons have no impact on the conformance statements regarding CC [2] and PP [1], with following rational:

- The security target remains conformant to CC [2], claim 482 as the possibility to introduce additional restrictions is given.
- The security target fulfils the strict conformance claim of the PP [1] due to the application notes 5, 6 and 7 which apply here. By those notes the addition of further security functions and security services are covered, even without deriving particular security functionality from a threat but from a policy.

Due to additional security functionality, one coming from the cryptographic libraries - O.Add-Functions, and due to the memory access control - O.Mem-Access, additional security objectives have been introduced. These add-ons have no impact on the conformance statements regarding CC [2] and PP [1], with following rational:

- The security target remains conformant to CC [2], claim 482 as the possibility to introduce additional restrictions is given.
- The security target fulfils the strict conformance of the PP [1] due to the application note 9 applying here. This note allows the definition of high-level security goals due to further functions or services provided to the Security IC Embedded Software.

Therefore, the security objectives of this security target are consistent with the statement of the security objectives in the PP [1], as the security target claimed strict conformance to the PP [1].

All security functional requirements defined in the PP [1] are included and completely defined in this ST. The security functional requirements listed in the following are all taken from Common Criteria part 2 [3] and additionally included and completely defined in this ST:

- FDP_ACC.1 “Subset access control”
- FDP_ACF.1 “Security attribute based access control”
- FMT_MSA.1 “Management of security attributes”
- FMT_MSA.3 “Static attribute initialisation”
- FMT_SMF.1 “Specification of Management functions”
- FCS_COP.1 “Cryptographic support”
- FCS_CKM.1 “Cryptographic key generation”
- FDP_SDI.1 “Stored data integrity monitoring
- FDP_SDI.2 “Stored data integrity monitoring and action

The security functional requirement

- FPT_TST.2 “Subset TOE security testing“(Requirement from [3])
- FCS_RNG.1 “Generation of Random Numbers”

is included and completely defined in this ST, section 6.

All assignments and selections of the security functional requirements are done in the PP [1] and in this security target in section 7.2.

The Assurance Requirements of the TOE obtain the Evaluation Assurance Level 5 augmented with the assurance components ALC_DVS.2 and AVA_VAN.5 for the TOE.

3.5 Application Notes

The functional requirement FCS_RNG.1 is a refinement of the FCS_RNG.1 defined in the Protection Profile [1] according to “Anwendungshinweise und Interpretationen zum Schema (AIS)” [15].

4 Security Problem Definition (ASE_SPD)

The content of the PP [1] applies to this chapter completely.

4.1 Threats

The threats are directed against the assets and/or the security functions of the TOE. For example, certain attacks are only one step towards a disclosure of assets while others may directly lead to a compromise of the application security. The more detailed description of specific attacks is given later on in the process of evaluation and certification. An overview on attacks is given in PP [1] section 3.2.

The threats to security are defined and described in PP [1] section 3.2.

Table 4: Threats according PP [1]

T.Phys-Manipulation	Physical Manipulation
T.Phys-Probing	Physical Probing
T.Malfunction	Malfunction due to Environmental Stress
T.Leak-Inherent	Inherent Information Leakage
T.Leak-Forced	Forced Information Leakage
T.Abuse-Func	Abuse of Functionality
T.RND	Deficiency of Random Numbers

4.1.1 Additional Threat due to TOE specific Functionality

The additional functionality of introducing sophisticated privilege levels and access control allows the secure separation between the operation system(s) and applications, the secure downloading of applications after personalization and enables multitasking by separating memory areas and performing access controls between different applications. Due to this additional functionality “area based memory access control” a new threat is introduced.

The Smartcard Embedded Software is responsible for its User Data according to the assumption “Treatment of User Data (A.Resp-Appl)”. However, the Smartcard Embedded Software may comprise different parts, for instance an operating system and one or more applications. In this case, such parts may accidentally or deliberately access data (including code) of other parts, which may result in a security violation.

The TOE shall avert the threat “Memory Access Violation (T.Mem-Access)” as specified below.

T.Mem-Access Memory Access Violation

Parts of the Smartcard Embedded Software may cause security violations by accidentally or deliberately accessing restricted data (which may include code) or privilege levels. Any restrictions are defined by the security policy of the specific application context and must be implemented by the Smartcard Embedded Software.

Table 5: Additional threats due to TOE specific functions and augmentations

T.Mem-Access	Memory Access Violation
--------------	-------------------------

For details see PP [1] section 3.2.

4.1.2 Assets regarding the Threats

The primary assets concern the User Data which includes the user data as well as program code (Security IC Embedded Software) stored and in operation and the provided security services. These assets have to be protected while being executed and or processed and on the other hand, when the TOE is not in operation.

This leads to four primary assets with its related security concerns:

- SC1 Integrity of User Data and of the Security IC Embedded Software (while being executed/processed and while being stored in the TOE's memories),
- SC2 Confidentiality of User Data and of the Security IC Embedded Software (while being processed and while being stored in the TOE's memories)
- SC3 Correct operation of the security services provided by the TOE for the Security IC Embedded Software.
- SC4 Continuous availability of random numbers

SC4 is an additional security service provided by this TOE which is the availability of random numbers. These random numbers are generated either by a true random number or a deterministic random number generator or by both, when a true random number is used as seed for the deterministic random number generator. Note that the generation of random numbers is a requirement of the PP [1].

To be able to protect the listed assets the TOE shall protect its security functionality as well. Therefore critical information about the TOE shall be protected. Critical information includes:

- logical design data, physical design data, IC Dedicated Software, and configuration data
- Initialisation Data and Pre-personalisation Data, specific development aids, test and characterisation related data, material for software development support, and reticles.

The information and material produced and/or processed by the TOE Manufacturer in the TOE development and production environment (Phases 2 up to TOE Delivery) can be grouped as follows:

- logical design data,
- physical design data,
- IC Dedicated Software, Security IC Embedded Software, Initialisation Data and Pre-personalisation Data,
- specific development aids,
- test and characterisation related data,
- material for software development support, and
- reticles and products in any form

as long as they are generated, stored, or processed by the TOE Manufacturer.

For details see PP [1] section 3.1.

4.2 Organizational Security Policies

The TOE has to be protected during the first phases of their lifecycle (phases 2 up to TOE delivery which can be after phase 3 or phase 4). Later on each variant of the TOE has to protect itself. The organisational security policy covers this aspect.

P.Process-TOE Protection during TOE Development and Production

An accurate identification must be established for the TOE. This requires that each instantiation of the TOE carries this unique identification.

The organisational security policies are defined and described in PP [1] section 3.3. Due to the augmentations of PP [1] an additional policy is introduced and described in the next chapter.

Table 6: Organizational Security Policies according PP [1]

P.Process-TOE	Protection during TOE Development and Production
---------------	--

4.2.1 Augmented Organizational Security Policy

Due to the augmentations of the PP [1] an additional policy is introduced.

The TOE provides specific security functionality, which can be used by the Smartcard Embedded Software. In the following specific security functionality is listed which is not derived from threats identified for the TOE's environment because it can only be decided in the context of the smartcard application, against which threats the Smartcard Embedded Software will use the specific security functionality.

The IC Developer / Manufacturer must apply the policy "Additional Specific Security Functionality (P.Add-Functions)" as specified below.

P.Add-Functions Additional Specific Security Functionality

The TOE shall provide the following specific security functionality to the Smartcard Embedded Software:

- Advanced Encryption Standard (AES)
- Triple Data Encryption Standard (3DES)
- Rivest-Shamir-Adleman Cryptography (RSA)
- Elliptic Curve Cryptography (EC)

Note 1:

This TOE can come with both crypto co-processors accessible, or with a blocked SCP or with a blocked Crypto2304T, or with both crypto co-processors blocked. The blocking depends on the customer demands prior to the production of the hardware. In case the SCP is blocked, no AES and 3DES computation supported by hardware is possible. In the case the Crypto2304T is blocked, no RSA and EC computation supported by hardware is possible. No accessibility of the deselected cryptographic co-processors is without impact on any other security policy of the TOE; it is exactly equivalent to the situation where the user decides just not to use the cryptographic co-processors.

The cryptographic libraries RSA and EC and the Toolbox library are delivery options. If one of the libraries RSA, EC or Toolbox are delivered, the Base Lib is automatically part of it. Therefore the user may choose a free combination of these libraries. In case of deselecting one or several of these libraries the TOE does not provide the respective functionality Additional Specific Security

Functionality Rivest-Shamir-Adleman Cryptography (RSA) and/or Elliptic Curve Cryptography (EC). The Toolbox and Base Library are no cryptographic libraries and provide no additional specific security functionality.

End of note.

4.3 Assumptions

The TOE assumptions on the operational environment are defined and described in PP [1] section 3.4.

The assumptions concern the phases where the TOE has left the chip manufacturer.

A.Process-Sec-IC Protection during Packaging, Finishing and Personalization

It is assumed that security procedures are used after delivery of the TOE by the TOE Manufacturer up to delivery to the end-consumer to maintain confidentiality and integrity of the TOE and of its manufacturing and test data (to prevent any possible copy, modification, retention, theft or unauthorised use).

A.Plat-Appl Usage of Hardware Platform

The Security IC Embedded Software is designed so that the requirements from the following documents are met: (i) TOE guidance documents (refer to the Common Criteria assurance class AGD) such as the hardware data sheet, and the hardware application notes, and (ii) findings of the TOE evaluation reports relevant for the Security IC Embedded Software as documented in the certification report.

A.Resp-Appl Treatment of User Data

All User Data are owned by Security IC Embedded Software. Therefore, it must be assumed that security relevant User Data (especially cryptographic keys) are treated by the Security IC Embedded Software as defined for its specific application context.

The support of cipher schemas needs to make an additional assumption.

Table 7: Assumption according PP [1]

A.Process-Sec-IC	Protection during Packaging, Finishing and Personalization
A.Plat-Appl	Usage of Hardware Platform
A.Resp-Appl	Treatment of User Data

4.3.1 Augmented Assumptions

The developer of the Smartcard Embedded Software must ensure the appropriate “Usage of Key-dependent Functions (A.Key-Function)” while developing this software in Phase 1 as specified below.

A.Key-Function Usage of Key-dependent Functions

Key-dependent functions (if any) shall be implemented in the Smartcard Embedded Software in a way that they are not susceptible to leakage attacks (as described under T.Leak-Inherent and T.Leak-Forced).

Note that here the routines which may compromise keys when being executed are part of the Smartcard Embedded Software. In contrast to this the threats T.Leak-Inherent and T.Leak-Forced address (i) the cryptographic routines which are part of the TOE

For details see PP [1] section 3.4.

5 Security objectives (ASE_OBJ)

This section shows the subjects and objects where are relevant to the TOE.
A short overview is given in the following.

The user has the following standard high-level security goals related to the assets:

- SG1 maintain the integrity of User Data and of the Security IC Embedded Software
- SG2 maintain the confidentiality of User Data and of the Security IC Embedded Software
- SG3 maintain the correct operation of the security services provided by the TOE for the Security IC Embedded Software
- SG4 provision of random numbers.

5.1 Security objectives for the TOE

The security objectives of the TOE are defined and described in PP [1] section 4.1.

Table 8: Objectives for the TOE according to PP [1]

O.Phys-Manipulation	Protection against Physical Manipulation
O.Phys-Probing	Protection against Physical Probing
O.Malfunction	Protection against Malfunction
O.Leak-Inherent	Protection against Inherent Information Leakage
O.Leak-Forced	Protection against Forced Information Leakage
O.Abuse-Func	Protection against Abuse of Functionality
O.Identification	TOE Identification
O.RND	Random Numbers

The TOE provides “Additional Specific Security Functionality (O.Add-Functions)” as specified below.

O.Add-Functions Additional Specific Security Functionality

The TOE must provide the following specific security functionality to the Smartcard Embedded Software:

- Advanced Encryption Standard (AES)
- Triple Data Encryption Standard (3DES)
- Rivest-Shamir-Adleman (RSA)
- Elliptic Curve Cryptography (EC)

Note 2:

This TOE can come with both crypto co-processors accessible, or with a blocked SCP or with a blocked Crypto2304T, or with both crypto co-processors blocked. The blocking depends on the customer demands prior to the production of the hardware. In case the SCP is blocked, no AES and 3DES computation supported by hardware is possible. In the case the Crypto2304T is blocked, no RSA and EC computation supported by hardware is possible. No accessibility of the deselected cryptographic co-processors is without impact on any other security policy of the TOE; it is exactly equivalent to the situation where the user decides just not to use the cryptographic co-processors.

The cryptographic libraries RSA and EC and the Toolbox library are delivery options. If one of the libraries RSA, EC or Toolbox is delivered, the Base Lib is automatically part of it. Therefore the user may choose a free combination of these libraries. In case of deselecting one or several of these libraries the TOE does not provide the respective functionality Additional Specific Security Functionality Rivest-Shamir-Adleman Cryptography (RSA) and/or Elliptic Curve Cryptography (EC). The Toolbox and Base Library are no cryptographic libraries and provide no additional specific security functionality.

End of note.

The TOE shall provide “Area based Memory Access Control (O.Mem-Access)” as specified below.

O.Mem-Access Area based Memory Access Control

The TOE must provide the Smartcard Embedded Software with the capability to define restricted access memory areas. The TOE must then enforce the partitioning of such memory areas so that access of software to memory areas and privilege levels is controlled as required, for example, in a multi-application environment.

Table 9: Additional objectives due to TOE specific functions and augmentations

O.Add-Functions	Additional specific security functionality
O.Mem-Access	Area based Memory Access Control

5.2 Security Objectives for the development and operational Environment

The security objectives for the security IC embedded software development environment and the operational environment is defined in PP [1] section 4.2 and 4.3. The table below lists the security objectives.

Table 10: Security objectives for the environment according to PP [1]

Phase 1	OE.Plat-Appl	Usage of Hardware Platform
	OE.Resp-Appl	Treatment of User Data
Phase 5 – 6 optional Phase 4	OE.Process-Sec-IC	Protection during composite product manufacturing

5.2.1 Clarification of “Usage of Hardware Platform (OE.Plat-Appl)”

Regarding the cryptographic services this objective of the environment has to be clarified. The TOE supports cipher schemes as additional specific security functionality. If required the Smartcard Embedded Software shall use these cryptographic services of the TOE and their interface as specified. When key-dependent functions implemented in the Smartcard Embedded Software are just being executed, the Smartcard Embedded Software must provide protection against disclosure of confidential data (User Data) stored and/or processed in the TOE by using the methods described under “Inherent Information Leakage (T.Leak-Inherent)” and “Forced Information Leakage (T.Leak-Forced)”.

The objectives of the environment regarding the memory, software and firmware protection and the SFR and peripheral-access-rights-handling have to be clarified. For the separation of different applications the Smartcard Embedded Software (Operating System) may implement a memory management scheme based upon security functions of the TOE.

5.2.2 Clarification of “Treatment of User Data (OE.Resp-Appl)”

Regarding the cryptographic services this objective of the environment has to be clarified. By definition cipher or plain text data and cryptographic keys are User Data. The Smartcard Embedded Software shall treat these data appropriately, use only proper secret keys (chosen from a large key space) as input for the cryptographic function of the TOE and use keys and functions appropriately in order to ensure the strength of cryptographic operation.

This means that keys are treated as confidential as soon as they are generated. The keys must be unique with a very high probability, as well as cryptographically strong. For example, it must be ensured that it is beyond practicality to derive the private key from a public key if asymmetric algorithms are used. If keys are imported into the TOE and/or derived from other keys, quality and confidentiality must be maintained. This implies that appropriate key management has to be realized in the environment.

Regarding the memory, software and firmware protection and the SFR and peripheral access rights handling these objectives of the environment has to be clarified. The treatment of User Data is also required when a multi-application operating system is implemented as part of the Smartcard Embedded Software on the TOE. In this case the multi-application operating system should not disclose security relevant user data of one application to another application when it is processed or stored on the TOE.

5.2.3 Clarification of “Protection during Composite product manufacturing (OE.Process-Sec-IC)”

The protection during packaging, finishing and personalization includes also the personalization process (Flash Loader software) and the personalization data (TOE software components) during Phase 4, Phase 5 and Phase 6.

5.3 Security Objectives Rationale

The security objectives rationale of the TOE are defined and described in PP [1] section 4.4. For organizational security policy P.Add-Functions, OE.Plat-Appl and OE.Resp-Appl the rationale is given in the following description.

Table 11: Security Objective Rationale

Assumption, Threat or Organisational Security Policy	Security Objective
P.Add-Functions	O.Add-Functions
A.Key-Function	OE.Plat-Appl OE.Resp-Appl
T.Mem-Access	O.Mem-Access

The justification related to the security objective “Additional Specific Security Functionality (O.Add-Functions)” is as follows: Since O.Add-Functions requires the TOE to implement exactly the same specific security functionality as required by P.Add-Functions; the organizational security policy is covered by the objective.

Nevertheless the security objectives O.Leak-Inherent, O.Phys-Probing, O.Malfunction, O.Phys-Manipulation and O.Leak-Forced define how to implement the specific security functionality required by P.Add-Functions. (Note that these objectives support that the specific security functionality is provided in a secure way as expected from P.Add-Functions.) Especially O.Leak-Inherent and O.Leak-Forced refer to the protection of confidential data (User Data or TSF data) in general. User Data are also processed by the specific security functionality required by P.Add-Functions.

Compared to PP [1] clarification has been made for the security objective “Usage of Hardware Platform (OE.Plat-Appl)”: If required the Smartcard Embedded Software shall use these cryptographic services of the TOE and their interface as specified. In addition, the Smartcard Embedded Software must implement functions which perform operations on keys (if any) in such a manner that they do not disclose information about confidential data. The non disclosure due to leakage A.Key-Function attacks is included in this objective OE.Plat-Appl. This addition ensures that the assumption A.Plat-Appl is still covered by the objective OE.Plat-Appl although additional functions are being supported according to O.Add-Functions.

Compared to the PP [1] a clarification has been made for the security objective “Treatment of User Data (OE.Resp-Appl)”: By definition cipher or plain text data and cryptographic keys are User Data. So, the Smartcard Embedded Software will protect such data if required and use keys and functions appropriately in order to ensure the strength of cryptographic operation. Quality and confidentiality must be maintained for keys that are imported and/or derived from other keys. This implies that appropriate key management has to be realized in the environment. That is expressed by the assumption A.Key—Function which is covered from OE.Resp—Appl. These measures make sure that the assumption A.Resp-Appl is still covered by the security objective OE.Resp-Appl although additional functions are being supported according to P.Add-Functions.

Compared to the PP [1] an enhancement regarding memory area protection has been established. The clear definition of privilege levels for operated software establishes the clear separation of different restricted memory areas for running the firmware, downloading and/or running the operating system and to establish a clear separation between different applications. Nevertheless, it is also possible to define a shared memory section where separated applications may exchange defined data. The privilege levels clearly define by using a hierarchical model the access right from one level to the other. These measures ensure that the threat T.Mem-Access is clearly covered by the security objective O.Mem-Access.

The justification of the additional policy and the additional assumption show that they do not contradict to the rationale already given in the Protection Profile for the assumptions, policy and threats defined there.

6 Extended Component Definition (ASE_ECD)

There are four extended components defined and described for the TOE:

- the family **FCS_RNG** at the class FCS Cryptographic Support
- the family **FMT_LIM** at the class FMT Security Management
- the family **FAU_SAS** at the class FAU Security Audit
- the component **FPT_TST.2** at the class FPT Protection of the TSF

The extended components FMT_LIM and FAU_SAS are defined and described in PP [1] section 5. The components FPT_TST.2 and FCS_RNG are defined in the following sections.

6.1 Component “Subset TOE security testing (FPT_TST)”

The security is strongly dependent on the correct operation of the security functions. Therefore, the TOE shall support that particular security functions or mechanisms are tested in the operational phase (Phase 7). The tests can be initiated by the Smartcard Embedded Software and/or by the TOE or is done automatically and continuously.

Part 2 of the Common Criteria provides the security functional component “TSF testing (FPT_TST.1)”. The component FPT_TST.1 provides the ability to test the TSF’s correct operation.

For the user it is important to know which security functions or mechanisms can be tested. The functional component FPT_TST.1 does not mandate to explicitly specify the security functions being tested. In addition, FPT_TST.1 requires verification of the integrity of TSF data and of the stored TSF executable code which might violate the security policy. Therefore, the functional component “**Subset TOE security testing (FPT_TST.2)**” of the family TSF self test has been newly created. This component allows that particular parts of the security mechanisms and functions provided by the TOE are tested.

6.2 Definition of FPT_TST.2

The functional component “Subset TOE security testing (FPT_TST.2)” has been newly created (Common Criteria Part 2 extended). This component allows that particular parts of the security mechanisms and functions provided by the TOE can be tested after TOE Delivery or are tested automatically and continuously during normal operation transparent for the user. This security functional component is used instead of the functional component FPT_TST.1 from Common Criteria Part 2. For the user it is important to know which security functions or mechanisms can be tested. The functional component FPT_TST.1 does not mandate to explicitly specify the security functions being tested. In addition, FPT_TST.1 requires verifying the integrity of TSF data and stored TSF executable code which might violate the security policy.

The functional component “Subset TOE testing (FPT_TST.2)” is specified as follows (Common Criteria Part 2 extended).

6.3 TSF self test (FPT_TST)

Family Behavior The Family Behavior is defined in [3] section 15.14 (442, 443).

Component leveling



FPT_TST.1: The component FPT_TST.1 is defined in [3] section 15.14 (444, 445, 446).

FPT_TST.2: Subset TOE security testing, provides the ability to test the correct operation of particular security functions or mechanisms. These tests may be performed at start-up, periodically, at the request of the authorized user, or when other conditions are met. It also provides the ability to verify the integrity of TSF data and executable code.

Management: FPT_TST.2

The following actions could be considered for the management functions in FMT:

- management of the conditions under which subset TSF self testing occurs, such as during initial start-up, regular interval or under specified conditions
- management of the time of the interval appropriate.

Audit: FPT_TST.2

There are no auditable events foreseen.

FPT_TST.2 Subset TOE testing

Hierarchical to: No other components.

Dependencies: No dependencies

FPT_TST.2.1: The TSF shall run a suite of self tests [selection: during initial start-up, periodically during normal operation, at the request of the authorized user, and/or at the conditions [assignment: conditions under which self test should occur]] to demonstrate the correct operation of [assignment: functions and/or mechanisms].

6.4 Family “Generation of Random Numbers (FCS_RNG)”

The family “Generation of Random Numbers (FCS_RNG.1)” has to be newly created according the new version of the “Anwendungshinweise und Interpretationen zum Schema (AIS)” [15]. This security functional component is used instead of the functional component FCS_RNG.1 defined in the protection profile [1].

The family “Generation of Random Numbers (FCS_RNG.1)” is specified as follows (Common Criteria Part 2 extended).

6.5 Definition of FCS_RNG.1

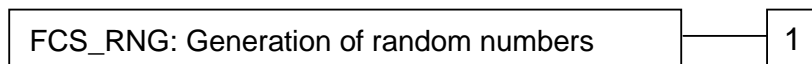
This section describes the functional requirements for the generation of random numbers, which may be used as secrets for cryptographic purposes or authentication. The IT security functional requirements for the TOE are defined in an additional family (FCS_RNG) of the Class FCS (Cryptographic support).

FCS_RNG Generation of random numbers

Family Behaviour

This family defines quality requirements for the generation of random numbers that are intended to be used for cryptographic purposes.

Component levelling:



FCS_RNG.1: Generation of random numbers, requires that the random number generator implements defined security capabilities and that the random numbers meet a defined quality metric.

Management: FCS_RNG.1

There are no management activities foreseen.

Audit: FCS_RNG.1

There are no actions defined to be auditable.

FCS_RNG.1 Random number generation

Hierarchical to: No other components.

Dependencies: No dependencies.

FCS_RNG.1.1: The TSF shall provide a [selection: *physical, non-physical true, deterministic, hybrid physical, hybrid deterministic*] random number generator that implements: [assignment: *list of security capabilities*].

FCS_RNG.1.2: The TSF shall provide random numbers that meet [assignment: *a defined quality metric*].

Application Note 1: The functional requirement FCS_RNG.1 is a refinement of the FCS_RNG.1 defined in the Protection Profile [1] according to "Anwendungshinweise und Interpretationen zum Schema (AIS)" [15].

7 Security Requirements (ASE_REQ)

For this section the PP [1] section 6 can be applied completely.

7.1 TOE Security Functional Requirements

The security functional requirements (SFR) for the TOE are defined and described in the PP [1] section 6.1 and in the following description.

The Table 12 provides an overview of the functional security requirements of the TOE, defined in the in PP [1] section 6.1. In the last column it is marked if the requirement is refined. The refinements are also valid for this ST.

Table 12: Security functional requirements defined in PP [1]

Security Functional Requirement		Refined in PP [1]
FRU_FLT.2	“Limited fault tolerance“	Yes
FPT_FLS.1	“Failure with preservation of secure state“	Yes
FMT_LIM.1	“Limited capabilities“	No
FMT_LIM.2	“Limited availability“	No
FAU_SAS.1	“Audit storage“	No
FPT_PHP.3	“Resistance to physical attack“	Yes
FDP_ITT.1	“Basic internal transfer protection“	Yes
FPT_ITT.1	“Basic internal TSF data transfer protection“	Yes
FDP_IFC.1	“Subset information flow control“	No

The Table 13 provides an overview about the augmented security functional requirements, which are added additional to the TOE and defined in this ST. All requirements are taken from Common Criteria Part 2 [3], with the exception of the requirement FPT_TST.2 and FCS_RNG.1, which are defined in this ST completely.

Table 13: Augmented security functional requirements

Security Functional Requirement	
FPT_TST.2	“Subset TOE security testing“
FDP_ACC.1	“Subset access control“
FDP_ACF.1	“Security attribute based access control“
FMT_MSA.1	“Management of security attributes“
FMT_MSA.3	“Static attribute nitialization“
FMT_SMF.1	“Specification of Management functions“
FCS_COP.1	“Cryptographic support“

Security Functional Requirement	
FCS_CKM.1	“Cryptographic key generation”
FDP_SDI.1	“Stored data integrity monitoring”
FDP_SDI.2	“Stored data integrity monitoring and action”
FCS_RNG.1	“Quality metric for random numbers”

All assignments and selections of the security functional requirements of the TOE are done in PP [1] and in the following description.

The above marked extended components FMT_LIM.1 and FMT_LIM.2 are introduced in PP [1] to define the IT security functional requirements of the TOE as an additional family (FMT_LIM) of the Class FMT (Security Management). This family describes the functional requirements for the Test Features of the TOE. The new functional requirements were defined in the class FMT because this class addresses the management of functions of the TSF.

The additional component FAU.SAS is introduced to define the security functional requirements of the TOE of the Class FAU (Security Audit). This family describes the functional requirements for the storage of audit data and is described in the next chapter.

The requirement FPT_TST.2 is the subset of TOE testing and originated in [3]. This requirement is given as the correct operation of the security functions is essential. The TOE provides mechanisms to cover this requirement by the smartcard embedded software and/or by the TOE itself.

7.1.1 Extended Components FCS_RNG.1 and FAU_SAS.1

7.1.1.1 FCS_RNG

To define the IT security functional requirements of the TOE an additional family (FCS_RNG) of the Class FCS (cryptographic support) is defined here. This family describes the functional requirements for random number generation used for cryptographic purposes.

FCS_RNG.1	Random Number Generation
Hierarchical to:	No other components
Dependencies:	No dependencies
FCS_RNG.1	Random numbers generation Class PTG.2 according to [6]
FCS_RNG.1.1	The TSF shall provide a <i>physical</i> random number generator that implements:
PTG.2.1	<i>A total failure test detects a total failure of entropy source immediately when the RNG has started. When a total failure is detected, no random numbers will be output.</i>
PTG.2.2	<i>If a total failure of the entropy source occurs while the RNG is being operated, the RNG prevents the output of any internal random number that depends on some raw random numbers that have been generated after the total failure of the entropy source.</i>
PTG.2.3	<i>The online test shall detect non-tolerable statistical defects of the raw random number sequence (i) immediately when the RNG has started, and (ii) while the RNG is being operated. The TSF must not output</i>

- any random numbers before the power-up online test has finished successfully or when a defect has been detected.*
- PTG.2.4 *The online test procedure shall be effective to detect non-tolerable weaknesses of the random numbers soon.*
- PTG.2.5 *The online test procedure checks the quality of the raw random number sequence. It is triggered continuously. The online test is suitable for detecting non-tolerable statistical defects of the statistical properties of the raw random numbers within an acceptable period of time.*
- FCS_RNG.1.2 The TSF shall provide *numbers in the format 8- or 16-bit* that meet
- PTG.2.6 *Test procedure A, as defined in [6] does not distinguish the internal random numbers from output sequences of an ideal RNG.*
- PTG.2.7 *The average Shannon entropy per internal random bit exceeds 0.997.*

Application Note 2: The functional requirement FCS_RNG.1 is a refinement of the FCS_RNG.1 defined in the Protection Profile [1] according to “Anwendungshinweise und Interpretationen zum Schema (AIS)” [15].

7.1.1.2 FAU_SAS

To define the security functional requirements of the TOE an additional family (FAU_SAS) of the Class FAU (Security Audit) is defined here. This family describes the functional requirements for the storage of audit data. It has a more general approach than FAU_GEN, because it does not necessarily require the data to be generated by the TOE itself and because it does not give specific details of the content of the audit records.

The TOE shall meet the requirement “Audit storage (FAU_SAS.1)” as specified below (Common Criteria Part 2 extended).

- FAU_SAS.1 Audit Storage
- Hierarchical to: No dependencies
- Dependencies: No dependencies.
- FAU_SAS.1.1 The TSF shall provide the test process *before TOE Delivery* with the capability to store *the Initialization Data and/or Pre-personalization Data and/or supplements of the Security IC Embedded Software* in the *not changeable configuration page area and non-volatile memory*.

7.1.2 Subset of TOE testing

The security is strongly dependent on the correct operation of the security functions. Therefore, the TOE shall support that particular security functions or mechanisms are tested in the operational phase (Phase 7). The tests can be initiated by the Smartcard Embedded Software and/or by the TOE.

The TOE shall meet the requirement “Subset TOE testing (FPT_TST.2)” as specified below (Common Criteria Part 2 extended).

- FPT_TST.2 Subset TOE testing
- Hierarchical to: No other components.

Dependencies:	No dependencies
FPT_TST.2.1	<p>The TSF shall run a suite of self tests <i>at the request of the authorized user</i> to demonstrate the correct operation of the <i>alarm lines and/or the environmental sensor mechanisms</i>:</p> <ul style="list-style-type: none"> • <i>CORE – CPU related alarms</i> • <i>Symmetric Cryptographic Processor</i> • <i>Temperature alarm</i> • <i>AXI – Memory Bus</i> • <i>NVM_MISS – NVM illegal addressing alarm</i> • <i>Memory - Error Detection Code alarm</i> • <i>FSE – Internal Frequency Sensor alarm</i> • <i>Light sensitive and Backside light detection alarm</i> • <i>WDT - Watch Dog Timer related alarms</i> • <i>SW – Software triggered alarm</i> • <i>Glitch sensor alarm</i> • <i>Reset source for clearing alarm bits</i> • <i>Test controller</i>

7.1.3 Memory access control

Usage of multiple applications in one Smartcard often requires code and data separation in order to prevent that one application can access code and/or data of another application. For this reason the TOE provides Area based Memory Access Control. The underlying Memory Protection Unit (MPU) is documented in section 4 of the [7].

The security service being provided is described in the Security Function Policy (SFP) **Memory Access Control Policy**. The security functional requirement “**Subset access control (FDP_ACC.1)**” requires that this policy is in place and defines the scope where it applies. The security functional requirement “**Security attribute based access control (FDP_ACF.1)**” defines security attribute usage and characteristics of policies. It describes the rules for the function that implements the Security Function Policy (SFP) as identified in FDP_ACC.1. The decision whether an access is permitted or not is taken based upon attributes allocated to the software. The Smartcard Embedded Software defines the attributes and memory areas. The corresponding permission control information is evaluated “on-the-fly” by the hardware so that access is granted/effective or denied/inoperable.

The security functional requirement “**Static attribute initialisation (FMT_MSA.3)**” ensures that the default values of security attributes are appropriately either permissive or restrictive in nature. Alternative values can be specified by any subject provided that the **Memory Access Control Policy** allows that. This is described by the security functional requirement “**Management of security attributes (FMT_MSA.1)**”. The attributes are determined during TOE manufacturing (FMT_MSA.3) or set at run-time (FMT_MSA.1).

From TOE’s point of view the different roles in the Smartcard Embedded Software can be distinguished according to the memory based access control. However the definition of the roles belongs to the user software.

The following Security Function Policy (SFP) **Memory Access Control Policy** is defined for the requirement “Security attribute based access control (FDP_ACF.1)”:

Memory Access Control Policy

The TOE shall control read, write, delete and execute accesses of software running at the privilege levels as defined below. Any access is controlled, regardless whether the access is on code or data or a jump on any other privilege level outside the current one.

The memory model provides two distinct, independent levels separated from each other. These levels are referred to as the privileged level and the user level. In the user level up to eight regions can be defined with different access rights. The access rights are controlled by the MPU related to the following rules:

- the privilege level has access to the user level
- the user level have no access to the privilege level
- the user level have no access to other user levels in the case that no overlapping exist
- overlapping user levels, have access to other user levels with ascending region priority
- access permissions

The TOE shall meet the requirement “Subset access control (FDP_ACC.1)” as specified below.

FDP_ACC.1	Subset access control
Hierarchical to:	No other components.
Dependencies:	FDP_ACF.1 Security attribute based access control
FDP_ACC.1.1	The TSF shall enforce the <i>Memory Access Control Policy</i> on <i>all subjects (software running at the defined and assigned levels), all objects (data including code stored in memories) and all the operations defined in the Memory Access Control Policy, i.e. levels.</i>

The TOE shall meet the requirement “Security attribute based access control (FDP_ACF.1)” as specified below.

FDP_ACF.1	Security attribute based access control
Hierarchical to:	No other components.
Dependencies:	FDP_ACC.1 Subset access control FMT_MSA.3 Static attribute initialisation
FDP_ACF.1.1	The TSF shall enforce the <i>Memory Access Control Policy</i> to objects based on the following: <i>Subject:</i>

- *software running at privilege level required to securely operate the chip. This includes also privilege level running interrupt routines.*
- *software running at the user level containing the user software*

Object:

- *data including code stored in memories*

Attributes:

- *the memory area where the access is performed to and/or*
- *the operation to be performed.*

FDP_ACF.1.2	The TSF shall enforce the following rules to determine if an operation among controlled subjects and controlled objects is allowed: <i>evaluate the corresponding permission control information of the relevant memory range before, during or after the access so that accesses to be denied can not be utilised by the subject attempting to perform the operation.</i>
FDP_ACF.1.3	The TSF shall explicitly authorize access of subjects to objects based on the following additional rules: <i>none.</i>
FDP_ACF.1.4	The TSF shall explicitly deny access of subjects to objects based on the <i>following additional rules: none.</i>

The TOE shall meet the requirement “Static attribute initialisation (FMT_MSA.3)” as specified below.

FMT_MSA.3	Static attribute initialisation
Hierarchical to:	No other components.
Dependencies:	FMT_MSA.1 Management of security attributes FMT_SMR.1 Security roles
FMT_MSA.3.1	The TSF shall enforce the <i>Memory Access Control Policy</i> to provide <i>well defined</i> ⁴ default values for security attributes that are used to enforce the SFP.
FMT_MSA.3.2	The TSF shall allow <i>any subject, provided that the Memory Access Control Policy is enforced and the necessary access is therefore allowed</i> ⁵ , to specify alternative initial values to override the default values when an object or information is created.

The TOE shall meet the requirement “Management of security attributes (FMT_MSA.1)” as specified below:

⁴ The static definition of the access rules is documented in [7]

⁵ The Smartcard Embedded Software is intended to set the memory access control policy

FMT_MSA.1	Management of security attributes
Hierarchical to:	No other components.
Dependencies:	[FDP_ACC.1 Subset access control or FDP_IFC.1 Subset information flow control] FMT_SMF.1 Specification of management functions FMT_SMR.1 Security roles
FMT_MSA.1.1	The TSF shall enforce the <i>Memory Access Control Policy</i> to restrict the ability to <i>change default, modify or delete</i> the security attributes <i>permission control information to the software running on the levels.</i>

The TOE shall meet the requirement “Specification of management functions (FMT_SMF.1)” as specified below:

FMT_SMF.1	Specification of management functions
Hierarchical to:	No other components
Dependencies:	No dependencies
FMT_SMF.1.1	The TSF shall be capable of performing the following security management functions: <i>access the configuration registers of the MPU.</i>

7.1.4 Support of Cipher Schemes

The following additional specific security functionality is implemented in the TOE:

FCS_COP.1 Cryptographic operation requires a cryptographic operation to be performed in accordance with a specified algorithm and with a cryptographic key of specified sizes. The specified algorithm and cryptographic key sizes can be based on an assigned standard; dependencies are discussed in Section 7.3.1.1.

The following additional specific security functionality is implemented in the TOE:

- Advanced Encryption Standard (AES)
- Triple Data Encryption Standard (3DES)
- Elliptic Curve Cryptography (EC)
- Rivest-Shamir-Adleman (RSA)⁶

Preface regarding Security Level related to Cryptography:

The strength of the cryptographic algorithms was not rated in the course of the product certification (see BSIG Section 9, Para.4, Clause 2). But cryptographic functionalities with a security level of 80 bits or lower can no longer be regarded as secure against attacks with high attack potential without considering the application context. Therefore for these functions it shall be checked whether the related cryptographic operations are appropriate for the intended system. Some further hints and guidelines can be derived from the “Technische Richtlinie BSI TR-02102”, <http://www.bsi.bund.de/>.

The cryptographic functionalities 2-key Triple-DES, RSA 1728, ECC 160, 163, 192 provided by the TOE achieves a security level of maximum 100 Bits (in general context).

Generally with regard to Elliptic Curves

The EC library is delivered as object code and in this way integrated in the user software. The certification covers the standard NIST [DSS] and Brainpool [ECC] Elliptic Curves with key lengths of 160, 163, 192, 224, 233, 256, 283, 320, 384, 409, 512 or 521 Bits, due to national AIS32 regulations by the BSI. Note that there are numerous other curve types, being also secure in terms of side channel attacks on this TOE, which can the user optionally add in the composition certification process.

Triple-DES Operation

The DES Operation of the TOE shall meet the requirement “Cryptographic operation (FCS_COP.1)” as specified below.

FCS_COP.1/DES	Cryptographic operation
Hierarchical to:	No other components.
Dependencies:	[FDP_ITC.1 Import of user data without security attributes, or FDP_ITC.2 Import of user data with security attributes, or

⁶ In case a user deselects the RSA and/or EC library, the TOE provides basic HW-related routines for RSA and/or EC calculations. For a secure library implementation the user has to implement additional countermeasures.

FCS_CKM.1 Cryptographic key management]
FCS_CKM.4 Cryptographic key destruction

FCS_COP.1.1/DES The TSF shall perform *encryption and decryption* in accordance with a specified cryptographic algorithm *Triple Data Encryption Standard (3DES)* in *Electronic Codebook Mode (ECB)* and in the *Cipher Block Chaining Mode (CBC)* and with cryptographic key sizes of *2 x 56 bit* or *3 x 56 bit*, that meet the following standards:

National Institute of Standards and Technology (NIST), Technology Administration, U.S. Department of Data Encryption Standard (DES), NIST Special Publication 800-67, Version 1.1
and
NIST Special Publication 800-38A, Edition 2001

Note 3:

This TOE can come with both crypto co-processors accessible, or with a blocked SCP or with a blocked Crypto2304T, or with both crypto co-processors blocked. The blocking depends on the customer demands prior to the production of the hardware. In case the SCP is blocked, no AES and 3DES computation supported by hardware is possible. No accessibility of the deselected cryptographic co-processors is without impact on any other security policy of the TOE; it is exactly equivalent to the situation where the user decides just not to use the cryptographic co-processors. End of note.

AES Operation

The AES Operation of the TOE shall meet the requirement “Cryptographic operation (FCS_COP.1)” as specified below.

FCS_COP.1/AES Cryptographic operation

Hierarchical to: No other components.

Dependencies: [FDP_ITC.1 Import of user data without security attributes, or FDP_ITC.2 Import of user data with security attributes, or FCS_CKM.1 Cryptographic key generation]
FCS_CKM.4 Cryptographic key destruction

FCS_COP.1.1/AES The TSF shall perform *encryption and decryption* in accordance with a specified cryptographic algorithm *Advanced Encryption Standard (AES)* in *Electronic Codebook Mode (ECB)* and in the *Cipher Block Chaining Mode (CBC)* and cryptographic key sizes of *128 bit* or *192 bit* or *256 bit* that meet the following standards:
U.S. Department of Commerce, National Institute of Standards and Technology, Information Technology Laboratory (ITL), Advanced Encryption Standard (AES), FIPS PUB 197
and
NIST Special Publication 800-38A, Edition 2001

Note 4:

This TOE can come with both crypto co-processors accessible, or with a blocked SCP or with a blocked Crypto2304T, or with both crypto co-processors blocked. The blocking depends on the customer demands prior to the production of the hardware. In case the SCP is blocked, no AES and 3DES computation supported by hardware is possible. No accessibility of the deselected cryptographic co-processors is without impact on any other security policy of the TOE; it is exactly

equivalent to the situation where the user decides just not to use the cryptographic co-processors.

End of note.

Rivest-Shamir-Adleman (RSA) operation

The Modular Arithmetic Operation of the TOE shall meet the requirement “Cryptographic operation (FCS_COP.1)” as specified below.

FCS_COP.1/RSA Cryptographic operation

Hierarchical to: No other components.

Dependencies: [FDP_ITC.1 Import of user data without security attributes, or
FDP_ITC.2 Import of user data with security attributes, or
FCS_CKM.1 Cryptographic key generation]
FCS_CKM.4 Cryptographic key destruction

FCS_COP.1.1/RSA The TSF shall perform *encryption and decryption* in accordance with a specified cryptographic algorithm *Rivest-Shamir-Adleman (RSA)* and cryptographic key sizes of *1024 - 4096 bit* that meet the following standards:

Encryption:

According to section 5.1.1 RSAEP in PKCS v2.1 RFC3447, without 5.1.1.1.

Decryption (with or without CRT):

According to section 5.1.2 RSADP in PKCS v2.1 RFC3447 for $u = 2$, i.e., without any (r_i, d_i, t_i) , $i > 2$, therefore without 5.1.2.2.b (ii)&(v), without 5.1.2.1. 5.1.2.2.a, only supported up to $n < 2^{2048}$.

Signature Generation (with or without CRT):

According to section 5.2.1 RSASP1 in PKCS v2.1 RFC3447 for $u = 2$, i.e., without any (r_i, d_i, t_i) , $i > 2$, therefore without 5.2.1.2.b (ii)&(v), without 5.2.1.1. 5.2.1.2.a, only supported up to $n < 2^{2048}$.

Signature Verification:

According to section 5.2.2 RSAVP1 in PKCS v2.1 RFC3447, without 5.2.2.1.

Rivest-Shamir-Adleman (RSA) key generation

The key generation for the RSA shall meet the requirement “Cryptographic key generation (FCS_CKM.1)” as specified below.

FCS_CKM.1/RSA Cryptographic key generation

Hierarchical to: No other components.

- Dependencies: [FCS_CKM.2 Cryptographic key distribution, or
FCS_COP.1 Cryptographic operation]
FCS_CKM.4 Cryptographic key destruction
- FCS_CKM.1.1/RSA The TSF shall generate cryptographic keys in accordance with a specified cryptographic algorithm *rsagen1 (PKCS v2.1 RFC3447)* and specified cryptographic key sizes of *1024 - 4096 bits* that meet the following standard:
- According to section 3.2(2) in PKCS v2.1 RFC3447,
for $u=2$, i.e., without any (r_i, d_i, t_i) , $i > 2$.
For $p \times q < 2^{2048}$ additionally according to section 3.2(1).*

Note 5:

For easy integration of RSA functions into the user's operating system and/or application, the library contains single cryptographic functions respectively primitives which are compliant to the standard. The primitives are referenced above. Therefore, the library supports the user to develop an application representing the standard if required.

End of note.

Note 6:

The TOE can be delivered with or without the RSA library. If the TOE comes with, automatically the Base Library is part of the shipment. In case a user deselects the library the TOE does not provide the Additional Specific Security Functionality Rivest-Shamir-Adleman Cryptography (RSA) realized with the security functional requirements FCS_COP.1/RSA and FCS_CKM.1/RSA. In case of a blocked Crypto2304T no cryptographic libraries are delivered.

End of note.

Elliptic Curve DSA (ECDSA) operation

The Modular Arithmetic Operation of the TOE shall meet the requirement "Cryptographic operation (FCS_COP.1)" as specified below.

FCS_COP.1/ECDSA Cryptographic operation

Hierarchical to: No other components.

- Dependencies: [FDP_ITC.1 Import of user data without security attributes, or
FDP_ITC.2 Import of user data with security attributes, or
FCS_CKM.1 Cryptographic key generation]
FCS_CKM.4 Cryptographic key destruction

FCS_COP.1.1/ECDSA

The TSF shall perform *signature generation and signature verification* in accordance with a specified cryptographic algorithm *ECDSA* and cryptographic key sizes of *160, 163, 192, 224, 233, 256, 283, 320, 384, 409, 512 or 521 bits* that meet the following standard:

Signature Generation:

1. According to section 7.3 in ANSI X9.62 – 2005

Not implemented is step d) and e) thereof.

The output of step e) has to be provided as input to our function by the caller.

Deviation of step c) and f):

The jumps to step a) were substituted by a return of

the function with an error code, the jumps are emulated by another call to our function.

2. According to sections 6.2 (6.2.2. + 6.2.3) in ISO/IEC 15946-2:2002 Not implemented is section 6.2.1:
The output of 5.4.2 has to be provided by the caller as input to the function.

Signature Verification:

1. According to section 7.4.1 in ANSI X9.62–2005
*Not implemented is step b) and c) thereof.
The output of step c) has to be provided as input to our function by the caller.
Deviation of step d):
Beside noted calculation, our algorithm adds a random multiple of BasepointerOrder n to the calculated values $u1$ and $u2$.*
2. According to sections 6.4 (6.4.1. + 6.4.3 + 6.4.4) in ISO/IEC 15946-2:2002
*Not implemented is section 6.4.2:
The output of 5.4.2 has to be provided by the caller as input to the function.*

Note 7:

For easy integration of EC functions into the user's operating system and/or application, the library contains single cryptographic functions respectively primitives which are compliant to the standard. The primitives are referenced above. Therefore, the library supports the user to develop an application representing the standard if required.

End of note.

Elliptic Curve (EC) key generation

The key generation for the EC shall meet the requirement "Cryptographic key generation (FCS_CKM.1)"

FCS_CKM.1/EC Cryptographic key generation

Hierarchical to: No other components.

Dependencies: FCS_CKM.2 Cryptographic key distribution, or
FCS_COP.1 Cryptographic operation]
FCS_CKM.4 Cryptographic key destruction

FCS_CKM.1.1/EC The TSF shall generate cryptographic keys in accordance with a specified cryptographic key generation algorithm *Elliptic Curve EC specified in ANSI X9.62-2005 and ISO/IEC 15946-1:2002 and specified cryptographic key sizes 160, 163, 192, 224, 233, 256, 283, 320, 384, 409, 512 or 521 bits that meet the following standard:*

ECDSA Key Generation:

1. According to the appendix A4.3 in ANSI X9.62-2005
the cofactor h is not supported.
2. According to section 6.1 (not 6.1.1) in ISO/IEC 15946-1:2002

Note 8:

For easy integration of EC functions into the user's operating system and/or application, the library contains single cryptographic functions respectively primitives which are compliant to

the standard. The primitives are referenced above. Therefore, the library supports the user to develop an application representing the standard if required.

End of note.

Elliptic Curve Diffie-Hellman (ECDH) key agreement

The Modular Arithmetic Operation of the TOE shall meet the requirement “Cryptographic operation (FCS_COP.1)” as specified below.

FCS_COP.1/ECDH Cryptographic operation

Hierarchical to: No other components.

Dependencies: [FDP_ITC.1 Import of user data without security attributes, or
FDP_ITC.2 Import of user data with security attributes, or
FCS_CKM.1 Cryptographic key generation]
FCS_CKM.4 Cryptographic key destruction

FCS_COP.1.1/ECDH

The TSF shall perform *elliptic curve Diffie-Hellman key agreement* in accordance with a specified cryptographic algorithm *ECDH* and cryptographic key sizes of *160, 163, 192, 224, 233, 256, 283, 320, 384, 409, 512 or 521 bits* that meet the following standard:

1. *According to section 5.4.1 in ANSI X9.63 – 2001*
Unlike section 5.4.1.3 our, implementation not only returns the x-coordinate of the shared secret, but rather the x-coordinate and y-coordinate.
2. *According to sections 8.4.2.1, 8.4.2.2, 8.4.2.3, and 8.4.2.4 in ISO/IEC 15946-3:2002:*
The function enables the operations described in the four sections.

Note 9:

The certification covers the standard NIST [DSS] and Brainpool [ECC] Elliptic Curves with key lengths of 160, 163, 192, 224, 233, 256, 283, 320, 384, 409, 512 or 521 Bits. Other types of elliptic curves can be added by the user during a composite certification process.

End of note.

Note 10:

For easy integration of EC functions into the user’s operating system and/or application, the library contains single cryptographic functions respectively primitives which are compliant to the standard. The primitives are referenced above. Therefore, the library supports the user to develop an application representing the standard if required.

End of note.

Note 11:

The TOE can be delivered with or without the EC library. If the TOE comes with, automatically the Base Library is part of the shipment. In case a user deselects the library the TOE does not provide the Additional Specific Security Functionality Elliptic Curve Cryptography realized with the security functional requirements FCS_COP.1/ECSA, FCS_COP.1/ECDH and FCS_CKM.1/EC. In case of a blocked Crypto2304T no cryptographic libraries are delivered.

End of note.

Note 12:

The EC primitives allow the selection of various curves. The selection of the curves depends on the user.

End of note.

In case of a blocked Crypto2304T coprocessor no cryptographic libraries are delivered.

7.1.5 Data Integrity

The TOE shall meet the requirement “Stored data integrity monitoring (FDP_SDI.1)” as specified below:

FDP_SDI.1	Stored data integrity monitoring
Hierarchical to:	No other components
Dependencies:	No dependencies
FDP_SDI.1.1	The TSF shall monitor user data stored in containers controlled by the TSF for <i>inconsistencies between stored data and corresponding EDC</i> on all objects, based on the following attributes: <i>EDC value for RAM and ROM and ECC value for the Infineon® SOLID FLASH™ and verification of stored data in the Infineon® SOLID FLASH™</i>

The TOE shall meet the requirement “Stored data integrity monitoring and action (FDP_SDI.2)” as specified below:

FDP_SDI.2	Stored data integrity monitoring and action
Hierarchical to:	FDP_SDI.1 stored data integrity monitoring
Dependencies:	No dependencies
FDP_SDI.2.1	The TSF shall monitor user data stored in containers controlled by the TSF for <i>data integrity and one- and/or more-bit-errors</i> on all objects, based on the following attributes: <i>corresponding EDC value for RAM and ROM and error correction ECC for the Infineon® SOLID FLASH™</i> .
FDP_SDI.2.2	Upon detection of a data integrity error, the TSF shall <i>correct 1 bit errors in the Infineon® SOLID FLASH™ automatically and inform the user about more bit errors</i> .

7.2 TOE Security Assurance Requirements

The evaluation assurance level is EAL5 augmented with ALC_DVS.2 and AVA_VAN.5. In the following table, the security assurance requirements are given. The augmentation of the assurance components compared to the Protection Profile [1] is expressed with bold letters.

Aspect	Acronym	Description	Refinement
Development	ADV_ARC.1	Security Architecture Description	in PP [1]
	ADV_FSP.5	Complete semiformal functional specification with additional error information	in ST
	ADV_IMP.1	Implementation representation of the TSF	in PP [1]
	ADV_INT.2	Well-structured internals	
	ADV_TDS.4	Semi-formal modular design	
Guidance Documents	AGD_OPE.1	Operational user guidance	in PP [1]
	AGD_PRE.1	Preparative procedures	in PP [1]
Life-Cycle Support	ALC_CMC.4	Production support, acceptance procedures and automation	in PP [1]
	ALC_CMS.5	Development tools CM coverage	in ST
	ALC_DEL.1	Delivery procedures	in PP [1]
	ALC_DVS.2	Identification of security measures	in PP [1]
	ALC_LCD.1	Developer defined life-cycle model	
	ALC_TAT.2	Compliance with implementation standards	in ST
Security Target Evaluation	ASE_CCL.1	Conformance claims	
	ASE_ECD.1	Extended components definition	
	ASE_INT.1	ST introduction	
	ASE_OBJ.2	Security objectives	
	ASE_REQ.2	Derived security requirements	
	ASE_SPD.1	Security problem definition	
	ASE_TSS.1	TOE summary specification	
Tests	ATE_COV.2	Analysis of coverage	in PP [1]
	ATE_DPT.3	Testing: modular design	in ST
	ATE_FUN.1	Functional testing	
	ATE_IND.2	Independent testing - sample	
Vulnerability Assessment	AVA_VAN.5	Advanced methodical vulnerability testing	in PP [1]

Table 14: Assurance components

7.2.1 Refinements

Some refinements are taken unchanged from the PP [1]. In some cases a clarification is necessary. In Table 16 an overview is given where the refinement is done.

Two refinements from the PP [1] have to be discussed here in the Security Target, as the assurance level is increased.

Life cycle support (ALC_CMS, ALC_TAT)

The refinement from the PP [1] can be applied even at the chosen assurance level EAL 5 augmented with ALC_CMS.5 and ALC_TAT.2. The assurance package ALC_CMS.4 is extended to ALC_CMS.5 with aspects regarding the configuration control system for the TOE. The assurance package ALC_TAT.1 is extended to ALC_TAT.2 with aspects regarding the implementation standards for the TOE. The refinements are not touched.

Functional Specification (ADV_FSP)

The refinement from the PP [1] can be applied even at the chosen assurance level EAL 5 augmented with ADV_FSP.5. The assurance package ADV_FSP.4 is extended to ADV_FSP.5 with aspects regarding the descriptive level. The level is increased from informal to semi-formal with informal description. The refinement is not touched from this measure.

For details of the refinement see PP [1].

Tests (ATE_DPT.3)

The refinement from the PP [1] can be applied even at the chosen assurance level EAL 5 augmented with ATE_DPT.3. The assurance package ATE_DPT.2 is augmented to ATE_DPT.3 relating to the requirements of the assurance level EAL 5. The refinement is not touched.

7.3 Security Requirements Rationale

7.3.1 Rationale for the Security Functional Requirements

The security functional requirements rationale of the TOE are defined and described in PP [1] section 6.3 for the following security functional requirements: FDP_ITT.1, FDP_IFC.1, FPT_ITT.1, FPT_PHP.3, FPT_FLS.1, FRU_FLT.2, FMT_LIM.1, FMT_LIM.2, FCS_RNG.1 and FAU_SAS.1.

The security functional requirements FPT_TST.2, FDP_ACC.1, FDP_ACF.1, FMT_MSA.1, FMT_MSA.3, FMT_SMF.1, FCS_COP.1, FCS_CKM.1, FDP_SDI.1 and FDP_SDI.2 are defined in the following description:

Table 15: Rational for additional SFR in the ST

Objective	TOE Security Functional Requirements
O.Add-Functions	<ul style="list-style-type: none"> - FCS_COP.1/DES „Cryptographic operation“ - FCS_COP.1/AES „Cryptographic operation“ - FCS_COP.1/RSA „Cryptographic operation“ - FCS_COP.1/ECDSA „Cryptographic operation“ - FCS_COP.1/ECDH „Cryptographic operation“ - FCS_CKM.1/RSA „Cryptographic key generation“ - FCS_CKM.1/EC „Cryptographic key generation“
O.Phys-Manipulation	<ul style="list-style-type: none"> - FPT_TST.2 „Subset TOE security testing “
O.Mem-Access	<ul style="list-style-type: none"> - FDP_ACC.1 “Subset access control” - FDP_ACF.1 “Security attribute based access control” - FMT_MSA.3 “Static attribute initialisation” - FMT_MSA.1 “Management of security attributes” - FMT_SMF.1 “Specification of Management Functions”
O.Malfunction	<ul style="list-style-type: none"> - FDP_SDI.1 „Stored data integrity monitoring“ - FDP_SDI.2 „Stored data integrity monitoring and action“

The table above gives an overview, how the security functional requirements are combined to meet the security objectives. The detailed justification is given in the following:

The justification related to the security objective “Additional Specific Security Functionality (O.Add-Functions)” is as follows:

The security functional requirement(s) “Cryptographic operation (FCS_COP.1)” exactly requires those functions to be implemented which are demanded by O.Add-Functions. FCS_CKM.1/RSA supports the generation of RSA keys, FCS_CKM.1/EC supports the generation of EC keys needed for this cryptographic operations. Therefore, FCS_COP.1/RSA, FCS_COP.1/ECDSA, FCS_COP.1/ECDH and FCS_CKM.1/RSA and FCS_CKM/EC are suitable to meet the security objective.

The use of the supporting libraries Toolbox and Base has no impact on any security functional requirement nor does its use generate additional requirements.

Nevertheless, the developer of the Smartcard Embedded Software must ensure that the additional functions are used as specified and that the User Data processed by these functions are protected as defined for the application context. These issues are addressed by the specific security functional requirements:

- [FDP_ITC.1 Import of user data without security attributes or FDP_ITC.2 Import of user data with security attributes or FCS_CKM.1 Cryptographic key generation],
- FCS_CKM.4 Cryptographic key destruction.

All these requirements have to be fulfilled to support OE.Resp-Appl for FCS_COP.1/DES (3DES algorithm) and for FCS_COP.1/AES (AES algorithm). For the FCS_COP.1/RSA (RSA algorithm) and FCS_COP.1/ECDSA and FCS_COP.1/ECDH (both EC algorithms) the FCS_CKM.1/RSA and

FCS_CKM.1/EC are optional, since they are fulfilled by the TOE or may be fulfilled by the environment as the user can generate keys externally additionally.

The security functional requirements required to meet the security objectives O.Leak-Inherent, O.Phys-Probing, O.Malfunction, O.Phys-Manipulation and O.Leak-Forced define how to implement the specific security functionality. However, key-dependent functions could be implemented in the Smartcard Embedded Software.

The usage of cryptographic algorithms requires the use of appropriate keys. Otherwise these cryptographic functions do not provide security. The keys have to be unique with a very high probability, and must have a certain cryptographic strength etc. In case of a key import into the TOE (which is usually after TOE delivery) it has to be ensured that quality and confidentiality are maintained. Keys for 3DES and AES are provided by the environment, the keys for RSA and EC algorithms can be provided either by the TOE or the environment.

In this ST the objectives for the environment OE.Plat-Appl and OE.Resp-Appl have been clarified. The Smartcard Embedded Software defines the use of the cryptographic functions FCS_COP.1 provided by the TOE. The requirements for the environment FDP_ITC.1, FDP_ITC.2, FCS_CKM.1 and FCS_CKM.4 support an appropriate key management. These security requirements are suitable to meet OE.Resp-Appl.

The justification of the security objective and the additional requirements (both for the TOE and its environment) show that they do not contradict to the rationale already given in the Protection Profile for the assumptions, policy and threats defined there.

The security functional component Subset TOE security testing (FPT_TST.2) has been newly created (Common Criteria Part 2 extended). This component allows that particular parts of the security mechanisms and functions provided by the TOE can be tested after TOE Delivery. This security functional component is used instead of the functional component FPT_TST.1 from Common Criteria Part 2. For the user it is important to know which security functions or mechanisms can be tested. The functional component FPT_TST.1 does not mandate to explicitly specify the security functions being tested. In addition, FPT_TST.1 requires verification of the integrity of TSF data and stored TSF executable code which might violate the security policy.

The tested security enforcing functions are SF_DPM Device Phase Management, SF_CS Cryptographic Support and SF_PMA Protection against modifying attacks.

The security functional requirement FPT_TST.2 will detect attempts to conduct a physical manipulation on the monitoring functions of the TOE. The objective of FPT_TST.2 is O.Phys-Manipulation. The physical manipulation will be tried to overcome security enforcing functions.

The security functional requirement "Subset access control (FDP_ACC.1)" with the related Security Function Policy (SFP) "Memory Access Control Policy" exactly require the implementation of an area based memory access control as required by O.Mem-Access. The related TOE security functional requirements FDP_ACC.1, FDP_ACF.1, FMT_MSA.3, FMT_MSA.1 and FMT_SMF.1 cover this security objective. The implementation of these functional requirements is represented by the dedicated privilege level concept.

The justification of the security objective and the additional requirements show that they do not contradict to the rationale already given in the Protection Profile for the assumptions, policy and threats defined there. Moreover, these additional security functional requirements cover the requirements by [3] user data protection of chapter 11 which are not refined by the PP [1].

Nevertheless, the developer of the Smartcard Embedded Software must ensure that the additional functions are used as specified and that the User Data processed by these functions are protected as defined for the application context. The TOE only provides the tool to implement the policy defined in the context of the application.

The justification related to the security objective "Protection against Malfunction due to Environmental Stress (O.Malfunction)" is as follows:

The security functional requirement “Stored data integrity monitoring (FDP_SDI.1)” requires the implementation of an Error Detection (EDC) algorithm which detects integrity errors of the data stored in RAM, ROM and Infineon® SOLID FLASH™ (in the Infineon® SOLID FLASH™ more bit errors are detected). By this the malfunction of the TOE using corrupt data is prevented. Therefore FDP_SDI.1 is suitable to meet the security objective.

The security functional requirement “Stored data integrity monitoring and action (FDP_SDI.2)” requires the implementation of an integrity observation and correction which is implemented by the Error Detection (EDC) and Error Correction (ECC) measures. The EDC is present in RAM and ROM of the TOE while the ECC is realized in the Infineon® SOLID FLASH™. These measures detect and inform about one and more bit errors. In case of the Infineon® SOLID FLASH™ 1 bit errors of the data are corrected automatically. By the ECC mechanisms it is prevented that the TOE uses corrupt data. Therefore FDP_SDI.2 is suitable to meet the security objective.

The CC part 2 defines the component FIA_SOS.2, which is similar to FCS_RNG.1, as follows:

FIA_SOS.2 TSF Generation of secrets

Hierarchical to: No other components.

Dependencies: No dependencies.

FIA_SOS.2.1 The TSF shall provide a mechanism to generate secrets that meet [assignment: *a defined quality metric*].

FIA_SOS.2.2 The TSF shall be able to enforce the use of TSF generated secrets for [assignment: *list of TSF functions*].

The CC part 2, annex G.3 [3], states: “This family defines requirements for mechanisms that enforce defined quality metrics on provided secrets, and generate secrets to satisfy the defined metric“. Even the operation in the element FIA_SOS.2.2 allows listing the TSF functions using the generated secrets. Because all applications discussed in annex G.3 are related to authentication, the component FIA_SOS.2 is also intended for authentication purposes while the term “secret” is not limited to authentication data (cf. CC part 2, paragraphs 39-42).

Paragraph 685 in the CC part 2 [3] recommends use of the component FCS_CKM.1 to address random number generation. However, this may hide the nature of the secrets used for key generation and does not allow describing random number generation for other cryptographic methods (e.g., challenges, padding), authentication (e.g., password seeds), or other purposes (e.g., blinding as a countermeasure against side channel attacks).

The component FCS_RNG addresses general RNG, the use of which includes but is not limited to cryptographic mechanisms. FCS_RNG allows to specify requirements for the generation of random numbers including necessary information for the intended use. These details describe the quality of the generated data where other security services rely on. Thus by using FCS_RNG a ST or PP author is able to express a coherent set of SFRs that include or use the generation of random numbers as a security service.

7.3.1.1 Dependencies of Security Functional Requirements

The dependence of security functional requirements are defined and described in PP [1] section 6.3.2 for the following security functional requirements: FDP_ITT.1, FDP_IFC.1, FPT_ITT.1, FPT_PHP.3, FPT_FLS.1, FRU_FLT.2, FMT_LIM.1, FMT_LIM.2, FCS_RNG.1 and FAU_SAS.1.

The dependence of security functional requirements for the security functional requirements FPT_TST.2, FDP_ACC.1, FDP_ACF.1, FMT_MSA.1, FMT_MSA.3, FMT_SMF.1, FCS_COP.1, FCS_CKM.1, FDP_SDI.1 and FDP_SDI.2 are defined in the following description.

Table 16: Dependency for cryptographic operation requirement

Security Functional Requirement	Dependencies	Fulfilled by security requirements
FCS_COP.1/DES	FCS_CKM.1	Yes, see comment 3
	FDP_ITC.1 or FDP_ITC.2 (if not FCS_CKM.1) FCS_CKM.4	Yes, see comment 3
FCS_COP.1/AES	FCS_CKM.1	Yes, see comment 3
	FDP_ITC.1 or FDP_ITC.2 (if not FCS_CKM.1) FCS_CKM.4	Yes, see comment 3
FCS_COP.1/RSA	FCS_CKM.1	Yes, see comment 3
	FDP_ITC.1 or FDP_ITC.2 (if not FCS_CKM.1) FCS_CKM.4	Yes, see comment 3
FCS_CKM.1/RSA	FCS_CKM.2 or FCS_COP.1	Yes
	FCS_CKM.4	Yes, see comment 3
FCS_COP.1/ECDSA	FCS_CKM.1	Yes, see comment 3
	FDP_ITC.1 or FDP_ITC.2 (if not FCS_CKM.1) FCS_CKM.4	Yes, see comment 3
FCS_CKM.1/EC	FCS_CKM.2 or FCS_COP.1	Yes
	FCS_CKM.4	Yes, see comment 3
FCS_COP.1/ECDH	FCS_CKM.1	Yes, see comment 3
	FDP_ITC.1 or FDP_ITC.2 (if not FCS_CKM.1) FCS_CKM.4	Yes, see comment 3
FPT_TST.2	None	See comment 1
FDP_ACC.1	FDP_ACF.1	Yes
FDP_ACF.1	FDP_ACC.1 FMT_MSA.3	Yes Yes
FMT_MSA.3	FMT_MSA.1 FMT_SMR.1	Yes Not required, see comment 2
FMT_MSA.1	FDP_ACC.1 or FDP_IFC.1 FMT_SMR.1 FMT_SMF.1	Yes See comment 2 Yes
FMT_SMF.1	None	N/A
FDP_SDI.1	None	N/A
FDP_SDI.2	None	N/A

Comment 1:

The TOE is already a platform representing the lowest level in a Smartcard. There is no lower or »underlying abstract machine« used by the TOE which can be tested. Therefore, the former dependency to FPT_AMT.1 is fulfilled without further and by that dispensable. CC in the Revision

3 considered this and dropped this dependency. The requirement FPT_TST.2 is satisfied.
End of comment.

Comment 2:

The dependency FMT_SMR.1 introduced by the two components FMT_MSA.1 and FMT_MSA.3 is considered to be satisfied because the access control specified for the intended TOE is not role-based but enforced for each subject. Therefore, there is no need to identify roles in form of a security functional requirement FMT_SMR.1.
End of comment.

Comment 3:

The security functional requirement “Cryptographic operation (FCS_COP.1)” met by the TOE has the following dependencies:

- [FDP_ITC.1 Import of user data without security attributes, or
- FDP_ITC.2 Import of user data with security attributes]
- FCS_CKM.1 Cryptographic key generation
- FCS_CKM.4 Cryptographic key destruction.

The security functional requirement “Cryptographic key management (FCS_CKM)” met by TOE has the following dependencies:

- [FCS_CKM.2 Cryptographic key distribution, or
- FCS_COP.1 Cryptographic operation]
- FCS_CKM.4 Cryptographic key destruction.

These requirements all address the appropriate management of cryptographic keys used by the specified cryptographic function and are not part of the PP [1]. Most requirements concerning key management shall be fulfilled by the environment since the Smartcard Embedded Software is designed for a specific application context and uses the cryptographic functions provided by the TOE.

For the security functional requirement FCS_COP.1/DES and FCS_COP.1/AES the respective dependencies FCS_CKM.1, FCS_CKM.4 and FDP_ITC.1 or FDP_ITC.2 have to be fulfilled by the environment. That mean, that the environment shall meet the requirements FCS_CKM.1 and FCS_CKM.4 as defined in [3], section 10.1 and shall meet the requirements FDP_ITC.1 or FDP_ITC.2 as defined in [3], section 11.7.

For the security functional requirement FCS_COP.1/RSA, FCS_COP.1/ECDSA and FCS_COP.1/ECDH the respective dependencies FCS_CKM.4 and FDP_ITC.1 or FDP_ITC.2 have to be fulfilled by the environment. That mean, that the environment shall meet the requirements FDP_ITC.1 or FDP_ITC.2 as defined in [3], section 11.7. The respective dependency FCS_CKM.1 has to be fulfilled by the TOE with the security functional requirement FCS_CKM.1/RSA (for FCS_COP.1/RSA) and FCS_CKM.1/EC (for FCS_COP.1/ECDSA and FCS_COP.1/ECDH) as defined in section 7.1.4. Additionally the requirement FCS_CKM.1 can be fulfilled by the environment as defined in [3], section 10.1.

For the security functional requirement FCS_CKM.1/RSA and FCS_CKM.1/EC the respective dependency FCS_COP.1 is fulfilled by the TOE. The respective dependency FCS_CKM.4 has to be fulfilled by the environment. That means, the environment shall meet the requirement FCS_CKM.4 as defined in [3], section 10.1.

The cryptographic libraries RSA and EC and the Toolbox library are delivery options. If one of the libraries RSA, EC or Toolbox are delivered, the Base Lib is automatically part of it. Therefore the user may choose a free combination of these libraries. In case of deselecting one or several of these libraries the TOE does not provide the respective functionality Additional Specific Security

Functionality Rivest-Shamir-Adleman Cryptography (RSA) and/or Elliptic Curve Cryptography (EC). The Toolbox and Base Library are no cryptographic libraries and provide no additional specific security functionality.

End of comment.

7.3.2 Rationale of the Assurance Requirements

The chosen assurance level EAL5 and the augmentation with the requirements ALC_DVS.2 and AVA_VAN.5 were chosen in order to meet the assurance expectations explained in the following paragraphs. In Table 14 the different assurance levels are shown as well as the augmentations. The augmentations are in compliance with the Protection Profile.

An assurance level EAL5 with the augmentations ALC_DVS.2 and AVA_VAN.5 are required for this type of TOE since it is intended to defend against **highly sophisticated attacks** without protective environment. This evaluation assurance package was selected to permit a developer to gain maximum assurance from positive security engineering based on good commercial practices. In order to provide a meaningful level of assurance that the TOE provides an adequate level of defence against such attacks, the evaluators should have access to all information regarding the TOE including the TSF internals, the low level design and source code including the testing of the modular design. Additionally the mandatory technical document "Application of Attack Potential to Smartcards" [10] shall be taken as a basis for the vulnerability analysis of the TOE.

ALC_DVS.2 Sufficiency of security measures

Development security is concerned with physical, procedural, personnel and other technical measures that may be used in the development environment to protect the TOE.

In the particular case of a Security IC the TOE is developed and produced within a complex and distributed industrial process which must especially be protected. Details about the implementation, (e.g. from design, test and development tools as well as Initialization Data) may make such attacks easier. Therefore, in the case of a Security IC, maintaining the confidentiality of the design is very important.

This assurance component is a higher hierarchical component to EAL5 (which only requires ALC_DVS.1). ALC_DVS.2 has no dependencies.

AVA_VAN.5 Advanced methodical vulnerability analysis

Due to the intended use of the TOE, it must be shown to be highly resistant to penetration attacks. This assurance requirement is achieved by the AVA_VAN.5 component.

Independent vulnerability analysis is based on highly detailed technical information. The main intent of the evaluator analysis is to determine that the TOE is resistant to penetration attacks performed by an attacker possessing high attack potential.

AVA_VAN.5 has dependencies to ADV_ARC.1 "Security architecture description", ADV_FSP.2 "Security enforcing functional specification", ADV_TDS.3 "Basic modular design", ADV_IMP.1 "Implementation representation of the TSF", AGD_OPE.1 "Operational user guidance", and AGD_PRE.1 "Preparative procedures".

All these dependencies are satisfied by EAL5.

It has to be assumed that attackers with high attack potential try to attack Security ICs like smart cards used for digital signature applications or payment systems. Therefore, specifically AVA_VAN.5 was chosen in order to assure that even these attackers cannot successfully attack the TOE.

8 TOE Summary Specification (ASE_TSS)

The product overview is given in section 2.1. In the following the Security Features are described and the relation to the security functional requirements is shown.

The TOE is equipped with following Security Features to meet the security functional requirements:

SF_DPM	Device Phase Management
SF_PS	Protection against Snooping
SF_PMA	Protection against Modification Attacks
SF_PLA	Protection against Logical Attacks
SF_CS	Cryptographic Support

The following description of the Security Features is a complete representation of the TSF.

8.1 SF_DPM: Device Phase Management

The life cycle of the TOE is split-up in several phases. Chip development and production (phase 2, 3, 4) and final use (phase 4-7) is a rough split-up from TOE point of view. These phases are implemented in the TOE as test mode (phase 3) and user mode (phase 4-7). In addition a chip identification mode exists which is active in all phases. The chip identification data (O.Identification) is stored in a in the not changeable configuration page area and non-volatile memory. In the same area further TOE configuration data is stored. In addition, user initialization data can be stored in the non-volatile memory during the production phase as well. During this first data programming, the TOE is still in the secure environment and in Test Mode.

The covered security functional requirement is FAU_SAS.1 "Audit storage".

During start-up of the TOE the decision for one of the various operation modes is taken dependent on phase identifiers. The decision of accessing a certain mode is defined as phase entry protection. The phases follow also a defined and protected sequence. The sequence of the phases is protected by means of authentication.

The covered security functional requirements are FMT_LIM.1 "Limited capabilities" and FMT_LIM.2 "Limited availability".

During the production phase (phase 3 and 4) or after the delivery to the customer (phase 5 or phase 6), the TOE provides the possibility to download a user specific encryption key and user code and data into the empty (erased) Infineon® SOLID FLASH™ memory area as specified by the associated control information of the Flash Loader software. After finishing the load operation, the Flash Loader can be permanently deactivated, so that no further load operation with the Flash Loader is possible. These procedures are defined as phase operation limitation.

The covered security functional requirement is FPT_LIM.2 "Limited availability".

During operation within a phase the accesses to memories are granted by the MPU controlled access rights and related levels.

The covered security functional requirements are FDP_ACC.1 "Subset access control", FDP_ACF.1 "Security attribute based access control" and FMT_MSA.1 "Management of security attributes".

In addition, during each start-up of the TOE the address ranges and access rights are initialized by the Boot System (BOS) with predefined values.

The covered security functional requirement is FMT_MSA.3 "Management of security attributes".

The TOE clearly defines access rights and levels in conjunction with the appropriate key management in dependency of the firmware or software to be executed.

The covered security functional requirement is FMT_SMF.1 “Specification of Management functions”.

Each operation phase is protected by means of authentication and encryption.

The covered security functional requirements are FDP_ITT.1 “Basic internal transfer protection” and FPT_ITT.1 “Basic internal TSF data transfer protection”.

The **SF_DPM** “Device Phase Management” covers the security functional requirements FAU_SAS.1, FMT_LIM.1, FMT_LIM.2, FDP_ACC.1, FDP_ACF.1, FMT_MSA.1, FMT_MSA.3, FMT_SMF.1, FDP_ITT.1 and FPT_ITT.1.

8.2 SF_PS: Protection against Snooping

Several mechanisms protect the TOE against snooping the design or the user data during operation and even if it is out of operation (power down).

The entire design is kept in a non standard way to prevent attacks using standard analysis methods. Important parts of the chip are especially designed to counter leakage or side channel attacks like DPA/SPA or EMA/DEMA. Therefore, even the physical data gaining is difficult to perform, since timing and current consumption is independent of the processed data. In the design a number of components are automatically synthesized and mixed up to disguise an attacker and to make an analysis more difficult.

The covered security functional requirement is FPT_PHP.3 “Resistance to physical attack”.

A further protective design method used is secure wiring. All security critical wires have been identified and protected by special routing measures against probing. Additionally the wires are embedded into shield lines and used as normal signal lines for operation of the chip to prevent successful probing. This measurement is called implicit shielding or short I2-shielding.

The covered security functional requirements are FPT_PHP.3 “Resistance to physical attack”, FPT_ITT.1 “Basic internal TSF data transfer protection”, FPT_FLS.1 “Failure with preservation of secure state” and FDP_ITT.1 “Basic internal transfer protection”.

All contents of the memories RAM, ROM and Infineon® SOLID FLASH™ of the TOE are encrypted on chip to protect them against data analysis. The external Flash-memory is not encrypted and not a part of the security functional requirements.

In addition the data transferred over the memory bus (AXI bus) to and from (bi-directional encryption) the CPU, Co-processor (Crypto2304T and SCP), the special SFRs and the peripheral devices (CRC, RNG and Timer) are transported encrypted with an automatically dynamic key change.

The encryption of the memory content is done by the MED using a proprietary cryptographic algorithm and a complex key management providing protection against cryptographic analysis attacks. This means that the Infineon® SOLID FLASH™, RAM, ROM and the bus are encrypted with module dedicated and dynamic keys. The only key remaining static over the product life cycle is the specific ROM key changing from mask to mask.

All security relevant transfer of addresses or data via the APB™ is dynamically masked and thus protected against readout and analysis.

The function Trash Register Writes can be activated by the user to hide the fact if an register has been written.

The covered security functional requirements are FDP_IFC.1 “Subset information flow control“, FPT_PHP.3 “Resistance to physical attack”, FPT_ITT.1 “Basic internal TSF data transfer protection, FPT_FLS.1 “Failure with preservation of secure state” and FDP_ITT.1 “Basic internal transfer protection”.

The **SF_PS** “Protection against Snooping” covers the security functional requirements FPT_PHP.3, FDP_IFC.1, FPT_ITT.1, FPT_FLS.1 and FDP_ITT.1.

8.3 SF_PMA: Protection against Modifying Attacks

The TOE is equipped with an error detection code (EDC) for protecting RAM and ROM and an ECC, which is realized in the Infineon® SOLID FLASH™. Thus introduced failures are securely detected and, in terms of single bit errors in the Infineon® SOLID FLASH™ also automatically corrected (FDP_SDI.2). For Infineon® SOLID FLASH™ in case of more than one bit errors and for RAM in case of any bit errors detected, a security alarm is triggered.

In order to prevent accidental bit faults during production in the ROM, over the data stored in ROM an EDC value is calculated (FDP_SDI.1).

The covered security functional requirements are FRU_FLT.2 “Limited fault tolerance“, FDP_PHP.3 “Resistance to physical attack“, FDP_SDI.1 “Stored data integrity monitoring” and FDP_SDI.2 “Stored data integrity monitoring and action”.

If a user tears the card resulting in a power off situation during an Infineon® SOLID FLASH™ programming operation or if other perturbation is applied, no data or content loss occurs and the TOE restarts power on. The NVM tearing save write functionality covers FDP_SDI.1 “Stored data integrity monitoring” as the new data to be programmed are checked for integrity and correct programming before the page with the old data becomes valid.

The covered security functional requirements are FPT_PHP.3 “Resistance to physical attack“, since these measures make it difficult to manipulate the write process of the NVM, FPT_FLS.1 “Failure with preservation of secure state“ and FDP_SDI.1 “Stored data integrity monitoring”.

In the case that a physical manipulation or a physical probing attack is detected, the processing of the TOE is immediately stopped and the TOE enters a secure state called security reset.

The covered security functional requirements are FPT_FLS.1 “Failure with preservation of secure state“, FPT_PHP.3 “Resistance to physical attack” and FPT_TST.2 “Subset TOE security testing“.

As physical effects or manipulative attacks may also address the program flow of the user software, two watchdog timers each with a check point register function are implemented. This feature allows the user to check the correct processing time and the integrity of the program flow of the user software.

The Instruction Stream Signature Checking (ISS) calculates a hash about all executed instructions and automatically checks the correctness of this hash value. If the code execution follows an illegal path an alarm is triggered.

Another measure against modifying and perturbation respectively differential fault attacks (DFA) is the implementation of backward calculation in the SCP. By this induced errors are discovered.

The covered security functional requirements are FPT_FLS.1 “Failure with preservation of secure state“, FDP_IFC.1 “Subset information flow control“, FPT_ITT.1 “Basic internal transfer protection“, FDP_ITT.1 “Basic internal transfer protection” and FPT_PHP.3 “Resistance to physical attack”.

During start up, the TOE performs various configurations and subsystem tests. After the TOE startup has finished, the operating system or application can call the User Mode Security Life Control (UMSLC) test provided by the Resource Management System. The UMSLC checks the alarm lines and/or the different security functions and sensors for correct operation. The test can be triggered by user software during normal operation. As attempts to modify the security features will be detected from the test, the covered security functional requirement is FPT_TST.2 “Subset TOE security testing“.

The correct function of the TOE is only given in the specified range of the environmental operating parameters. To prevent an attack exploiting that circumstance the TOE is equipped with a temperature sensor, glitch sensor and backside light detection. The TOE falls into the defined secure state in case of a specified range violation. The defined secure state causes the chip internal reset process. Note that the specified range checking can only work when the TOE is running and can not prevent reverse engineering.

The covered security functional requirements are FRU_FLT.2 “Limited fault tolerance” and FPT_FLS.1 “Failure with preservation of secure state“.

The **SF_PMA** “Protection against Modifying Attacks” covers the security functional requirements FPT_PHP.3, FDP_IFC.1, FPT_ITT.1, FDP_ITT.1, FPT_TST.2, FDP_SDI.1, FDP_SDI.2, FRU_FLT.2 and FPT_FLS.1.

8.4 SF_PLA: Protection against Logical Attacks

The memory model of the TOE provides two distinct, independent levels called the privileged and user level and the possibility to define up to eight memory regions with different access rights enforced by the Management Protection Unit (MPU). This gives the user software the possibility to define different access rights for the regions 0 to 7 at the user level. In the case of an access violation the MPU will trigger a trap. The privileged level has access to all regions at the user level. The user level has no access to the privileged level. The policy of setting up the MPU and specifying the memory ranges for the regions (0 to 7) is defined from the user software.

The covered security functional requirements are FDP_ACC.1 “Subset access control” , FDP_ACF.1 “Security attribute based access control”, FMT_MSA.1 “Management of security attributes”, FMT_MSA.3 “Static attribute initialisation” and FMT_SMF.1 “Specification of Management functions” .

All memories present on the TOE (NVM, ROM, RAM) are encrypted using individual keys assigned by complex key management. In case of security critical error a security alarm is generated and the TOE ends up in a secure state.

The covered security functional requirements are FDP_ACF.1 “Security attribute based access control” and FPT_FLS.1 “Failure with preservation of secure state”.

The **SF_PLA** “Protection against Logical Attacks” covers the security functional requirements FDP_ACC.1, FDP_ACF.1, FMT_MSA.1, FMT_MSA.3, FPT_FLS.1 and FMT_SMF.1.

8.5 SF_CS: Cryptographic Support

The TOE is equipped an asymmetric and a symmetric hardware accelerators to support the standard symmetric and asymmetric cryptographic operations. This security function is introduced to include the cryptographic operation in the scope of the evaluation as the cryptographic function respectively mathematic algorithm itself is not used from the TOE security policy. The components are a co-processor supporting the DES and AES algorithms and a co-processor and software modules to support RSA cryptography, RSA key generation, EC signature generation and verification, ECDH key agreement and EC public key calculation and testing. Additionally the TOE is equipped with a True Random Number Generator for the generation of random numbers.

8.5.1 3DES

The TOE supports the encryption and decryption in accordance with the specified cryptographic algorithm Triple Data Encryption Standard (3DES) in the *Electronic Codebook Mode (ECB)* and in the *Cipher Block Chaining Mode (CBC)* and with cryptographic key sizes of 112 bit or 168 bit meeting the standard:

*National Institute of Standards and Technology (NIST), Technology Administration,
U.S. Department of Data Encryption Standard (DES), NIST Special Publication 800-67, Version 1.1*

and

NIST Special Publication 800-38A, Edition 2001

The covered security functional requirements are FCS_COP.1/DES “Cryptographic support”.

8.5.2 AES

The TOE supports the encryption and decryption in accordance with the specified cryptographic algorithm Advanced Encryption Standard (AES)) in the *Electronic Codebook Mode (ECB)* and in the *Cipher Block Chaining Mode (CBC)* and cryptographic key sizes of 128 bit or 192 bit or 256 bit that meet the standard:

*U.S. Department of Commerce, National Institute of Standards and Technology, Information Technology Laboratory (ITL), Advanced Encryption Standard (AES), FIPS PUB 197
and
NIST Special Publication 800-38A, Edition 2001.*

The covered security functional requirement is FCS_COP.1/AES “Cryptographic support”.

8.5.3 RSA

Encryption, Decryption, Signature Generation and Verification

The TSF shall perform encryption and decryption in accordance with a specified cryptographic algorithm Rivest-Shamir-Adleman (RSA) and cryptographic key sizes 1024 - 4096 bits that meet the following standards:

*Encryption:
According to section 5.1.1 RSAEP in PKCS v2.1 RFC3447,
without 5.1.1.1.*

*Decryption (with or without CRT):
According to section 5.1.2 RSADP in PKCS v2.1 RFC3447
for $u = 2$, i.e., without any (r_i, d_i, t_i) , $i > 2$,
therefore without 5.1.2.2.b (ii)&(v), without 5.1.2.1.
5.1.2.2.a, only supported up to $n < 2^{2048}$.*

*Signature Generation (with or without CRT):
According to section 5.2.1 RSASP1 in PKCS v2.1 RFC3447
for $u = 2$, i.e., without any (r_i, d_i, t_i) , $i > 2$,
therefore without 5.2.1.2.b (ii)&(v), without 5.2.1.1.
5.2.1.2.a, only supported up to $n < 2^{2048}$.*

*Signature Verification:
According to section 5.2.2 RSAVP1 in PKCS v2.1 RFC3447,
without 5.2.2.1.*

The covered security functional requirement is FCS_COP.1/RSA.

Asymmetric Key Generation

The TSF shall generate cryptographic keys in accordance with a specified cryptographic key generation algorithm *RSA specified in PKCS#1 v2.1* and specified cryptographic key sizes of *1024 – 4096 bits* that meet the following standard:

*According to section 3.2(2) in PKCS v2.1 RFC3447,
for $u=2$, i.e., without any (r_i, d_i, t_i) , $i > 2$.
For $p \times q < 2^{2048}$ additionally according to section 3.2(1).*

Note 13:

For easy integration of RSA functions into the user's operating system and/or application, the library contains single cryptographic functions respectively primitives which are compliant to the standard. The primitives are referenced above. Therefore, the library supports the user to develop an application representing the standard if required.

End of note.

The covered security functional requirement is FCS_CKM.1/RSA.

8.5.4 Elliptic Curves

The certification covers the standard NIST [DSS] and Brainpool [ECC]] Elliptic Curves with key lengths of 160, 163, 192, 224, 233, 256, 283, 320, 384, 409, 512 or 521 Bits, due to national AIS32 regulations by the BSI. Note that there are numerous other curve types, being also secure in terms of side channel attacks on this TOE, which can the user optionally add in the composition certification process.

Signature Generation and Verification

The TSF shall perform signature generation and signature verification in accordance with a specified cryptographic algorithm ECDSA and cryptographic key sizes 160, 163, 192, 224, 233, 256, 283, 320, 384, 409, 512 or 521 bits that meet the following standard:

Signature Generation:

1. According to section 7.3 in ANSI X9.62 – 2005

Not implemented is step d) and e) thereof.

The output of step e) has to be provided as input to our function by the caller.

Deviation of step c) and f):

The jumps to step a) were substituted by a return of the function with an error code, the jumps are emulated by another call to our function.

2. According to sections 6.2 (6.2.2. + 6.2.3) in ISO/IEC 15946-2:2002

Not implemented is section 6.2.1:

The output of 5.4.2 has to be provided by the caller as input to the function.

Signature Verification:

1. According to section 7.4.1 in ANSI X9.62–2005

Not implemented is step b) and c) thereof.

The output of step c) has to be provided as input to our function by the caller.

Deviation of step d):

Beside noted calculation, our algorithm adds a random multiple of BasepointerOrder n to the calculated values u1 and u2.

2. According to sections 6.4 (6.4.1. + 6.4.3 + 6.4.4) in ISO/IEC 15946-2:2002

Not implemented is section 6.4.2:

The output of 5.4.2 has to be provided by the caller as input to the function.

The covered security functional requirement is FCS_COP.1/ECDSH.

Asymmetric Key Generation

The TSF shall generate cryptographic keys in accordance with a specified cryptographic key generation algorithm Elliptic Curve EC specified in ANSI X9.62-1998 and ISO/IEC 15946-1:2002 and specified cryptographic key sizes 160, 163, 192, 224, 233, 256, 283, 320, 384, 409, 512 or 521 bits that meet the following standard:

ECDSA Key Generation:

- 1. According to the appendix A4.3 in ANSI X9.62-2005 the cofactor h is not supported.*
- 2. According to section 6.1 (not 6.1.1) in ISO/IEC 15946-1:2002*

The covered security functional requirement is FCS_CKM.1/EC.

Asymmetric Key Agreement

The TSF shall perform elliptic curve Diffie-Hellman key agreement in accordance with a specified cryptographic algorithm ECDH and cryptographic key sizes 160, 163, 192, 224, 233, 256, 283, 320, 384, 409, 512 or 521 bits that meet the following standard:

- 1. According to section 5.4.1 in ANSI X9.63 -2001
Unlike section 5.4.1.3 our, implementation not only returns the x -coordinate of the shared secret, but rather the x -coordinate and y -coordinate.*
- 2. According to sections 8.4.2.1, 8.4.2.2, 8.4.2.3, and 8.4.2.4 in ISO/IEC 15946-3:2002:
The function enables the operations described in the four sections.*

The covered security functional requirement is FCS_COP.1/ECDH.

Note 14:

For easy integration of EC functions into the user's operating system and/or application, the library contains single cryptographic functions respectively primitives which are compliant to the standard. The primitives are referenced above. Therefore, the library supports the user to develop an application representing the standard if required.

End of note.

8.5.5 Toolbox Library

The toolbox provides the following basic long integer arithmetic and modular functions in software, supported by the cryptographic coprocessor: Addition, subtraction, division, multiplication, comparison, reduction, modular addition, modular subtraction, modular multiplication, modular inversion and modular exponentiation. No security relevant policy, mechanism or function is supported. The toolbox library is deemed for software developers as support for simplified implementation of long integer and modular arithmetic operations.

The toolbox does not cover security functional requirements.

8.5.6 Base Library

The Base Library provides the low level interface to the asymmetric cryptographic coprocessor and has no user available interface. The base library does not provide any security functionality, implements no security mechanism, and does not provide additional specific security functionality. The Base Library does not cover security functional requirements.

8.5.7 TRNG

Random data is essential for cryptography as well as for security mechanisms. The TOE is equipped with a physical True Random Number Generator (TRNG, FCS_RNG.1). The random data can be used from the Smartcard Embedded Software and is also used from the security features of the TOE, like masking. The TRNG implements also self testing features. The TRNG fulfils the requirements from the functionality class PTG.2 of [6].

The covered security functional requirement is FCS_RNG.1 "Quality metric for random numbers", FPT_PHP.3 "Resistance to physical attack", FDP_ITT.1 "Basic internal transfer protection", FPT_ITT.1 "Basic internal TSF data transfer protection, FPT_TST.2 "Subset TOE security testing" and FPT_FLS.1 "Failure with preservation of secure state".

The **SF_CS** "Cryptographic Support" covers the security functional requirements FCS_COP.1/DES, FSC_COP.1/AES, FCS_COP.1/RSA, FSC_COP.1/ECDSH, FCS_COP.1/ECDH, FSC_CKM.1/RSA, FCS_CKM.1/EC, FPT_PHP.3, FDP_ITT.1, FPT_ITT.1, FPT_TST.2, FPT_FLS.1 and FCS_RNG.1.

Note 15:

This TOE can come with both crypto co-processors accessible, or with a blocked SCP or with a blocked Crypto2304T, or with both crypto co-processors blocked. The blocking depends on the customer demands prior to the production of the hardware. In case the SCP is blocked, no AES and 3DES computation supported by hardware is possible. In the case the Crypto2304T is blocked, no RSA and EC computation by hardware is possible. No accessibility of the deselected cryptographic co-processors is without impact on any other security policy of the TOE; it is exactly equivalent to the situation where the user decides just not to use the cryptographic co-processors.

The cryptographic libraries RSA and EC and the Toolbox library are delivery options. If one of the libraries RSA, EC or Toolbox are delivered, the Base Lib is automatically part of it. Therefore the user may choose a free combination of these libraries. In case of deselecting one or several of these libraries the TOE does not provide the respective functionality Additional Specific Security Functionality Rivest-Shamir-Adleman Cryptography (RSA) and/or Elliptic Curve Cryptography (EC). The Toolbox and Base Library are no cryptographic libraries and provide no additional specific security functionality.

End of note.

8.6 Assignment of Security Functional Requirements to TOE's Security Functionality

The justification and overview of the mapping between security functional requirements (SFR) and the TOE's security functionality (SF) is given in sections the sections above. The results are shown in Table 17. The security functional requirements are addressed by at least one relating security feature.

The various functional requirements are often covered manifold. As described above the requirements ensure that the TOE is checked for correct operating conditions and if a not correctable failure occurs that a stored secure state is achieved, accompanied by data integrity monitoring and actions to maintain the integrity although failures occurred. An overview is given in following table:

Table 17: Mapping of SFR and SF

Security Functional Requirement	SF_DPM	SF_PS	SF_PMA	SF_PLA	SF_CS
FAU_SAS.1	X				
FMT_LIM.1	X				
FMT_LIM.2	X				
FDP_ACC.1	X			X	
FDP_ACF.1	X			X	
FPT_PHP.3		X	X		X
FDP_ITT.1	X	X	X		X
FDP_SDI.1			X		
FDP_SDI.2			X		
FDP_IFC.1		X	X		
FMT_MSA.1	X			X	
FMT_MSA.3	X			X	
FMT_SMF.1	X			X	
FRU_FLT.2			X		
FPT_ITT.1	X	X	X		X
FPT_TST.2			X		X
FPT_FLS.1		X	X	X	X
FCS_RNG.1					X
FCS_COP.1/DES					X
FCS_COP.1/AES					X
FCS_COP.1/RSA					X
FCS_COP.1/ ECDSA					X

Security Functional Requirement	SF_DPM	SF_PS	SF_PMA	SF_PLA	SF_CS
FCS_COP.1/ECDH					X
FCS_CKM.1/RSA					X
FCS_CKM.1/EC					X

8.7 Security Requirements are internally Consistent

For this chapter the PP [1] section 6.3.4 can be applied completely.

In addition to the discussion in section 6.3 of PP [1] the security functional requirement FCS_COP.1 is introduced. The security functional requirements required to meet the security objectives O.Leak-Inherent, O.Phys-Probing, O.Malfunction, O.Phys-Manipulation and O.Leak-Forced also protect the cryptographic algorithms implemented according to the security functional requirement FCS_COP.1. Therefore, these security functional requirements support the secure implementation and operation of FCS_COP.1.

As disturbing, manipulating during or forcing the results of the test checking the security functions after TOE delivery, this security functional requirement FPT_TST.2 has to be protected. An attacker could aim to switch off or disturb certain sensors or filters and preserve the detection of his manipulation by blocking the correct operation of FPT_TST.2. The security functional requirements required to meet the security objectives O.Leak-Inherent, O.Phys-Probing, O.Malfunction, O.Phys-Manipulation and O.Leak-Forced also protect the security functional requirement FPT_TST.2. Therefore, the related security functional requirements support the secure implementation and operation of FPT_TST.2.

The requirement FPT_TST.2 allows testing of some security mechanisms by the Smartcard Embedded Software after delivery. In addition, the TOE provides an automated continuous user transparent testing of certain functions.

The implemented level concept represents the area based memory access protection enforced by the MPU. As an attacker could attempt to manipulate the privilege level definition as defined and present in the TOE, the functional requirement FDP_ACC.1 and the related other requirements have to be protected themselves. The security functional requirements required to meet the security objectives O.Leak-Inherent, O.Phys-Probing, O.Malfunction, O.Phys-Manipulation and O.Leak-Forced also protect the area based memory access control function implemented according to the security functional requirement described in the security functional requirement FDP_ACC.1 with reference to the Memory Access Control Policy and details given in FDP_ACF.1. Therefore, those security functional requirements support the secure implementation and operation of FDP_ACF.1 with its dependent security functional requirements.

The requirement FDP_SDI.2.1 allows detection of integrity errors of data stored in memory. FDP_SDI.2.2 in addition allows correction of one bit errors or taking further action. Both meet the security objective O.Malfunction. The requirements FRU_FLT.2, FPT_FLS.1, and FDP_ACC.1 which also meet this objective are independent from FDP_SDI.2 since they deal with the observation of the correct operation of the TOE and not with the memory content directly.

9 References

9.1 Literature

- [1] Security IC Platform Protection Profile, Version 1.0, 15.06.2007, BSI-PP-0035
- [2] Common Criteria for Information Technology Security Evaluation Part 1: Introduction and General Model; Version 3.1 Revision 3 July 2009, CCMB-2009-07-001
- [3] Common Criteria for Information Technology Security Evaluation Part 2: Security Functional Requirements; Version 3.1 Revision 3 July 2009, CCMB-2009-07-002
- [4] Common Criteria for Information Technology Security Evaluation Part 3: Security Assurance Requirements; Version 3.1 Revision 3 July 2009, CCMB-2009-07-003
- [5] ARMv7-M Architecture Reference Manual, ARM DDI 0403D ID021310, 12. February 2010, ARM Limited
- [6] A proposal for: Functionality classes for random number generators, Version 2.0, 18. September 2011
- [7] SLE97 Hardware Reference Manual, Infineon Technologies AG
- [10] Joint Interpretation Library, Application of Attack Potential to Smartcards, Version 2.7, February 2009
- [11] SLE97 Programmer's Reference User's Manual, Infineon Technologies AG
- [12] M9900 Errata Sheet, Infineon Technologies AG
- [15] Anwendungshinweise und Interpretationen zum Schema (AIS), AIS31, Version 2.1, 2011-12-02, Bundesamt für Sicherheit in der Informationstechnik
- [23] M9900 Security Guidelines User's Manual
- [DSS] NIST: FIPS publication 186-3: Digital Signature Standard (DSS), June 2009
- [ECC] IETF: RFC 5639, Elliptic Curve Cryptography (ECC) Brainpool Standard Curves and Curve Generation, March 2010, <http://www.ietf.org/rfc/rfc5639.txt>

Note that the versions of these documents will be defined at the end of the evaluation and listed in the certification report.

10 Appendix

In Table 18 and Table 19 the hash signatures of the respective CL97 Crypto Library files are documented. For convenience purpose several hash values are referenced.

Table 18: Reference hash values of the CL97 Crypto and FTL libraries

Library	Hash Value
CI97-LIB-base.lib	
MD5	3e2bc1c1 a21cac36 d7b27689 dce8acdd
SHA1	95535395 84aaab61 55255ec3 62948821 e05b1956
SHA256	e38de766 beffeadb 7ae5b60b 9c11937e c1314bff 6c31126f cf6de243 19275e77
CI97-LIB-ecc.lib	
MD5	e4fba78a 8693df95 8b6e3532 7b971b7d
SHA1	1f8a4d76 058d31f7 1dd71715 0ecfb7ce c78b375c
SHA256	c0c58c00 bc348de7 10317583 cd66a714 1783f8e3 4675bf80 02f88970 5a3b1ecf
CI97-LIB-2k.lib	
MD5	5102c74c 42822626 ca79dbda de106d59
SHA1	3de56ec5 18f81b08 36f22347 5afc5401 f9eae4e5
SHA256	602a70d0 1207a171 9a8396dd ac0b6420 59007e04 980ef077 43bcb945 d5087867
CI97-LIB-4k.lib	
MD5	4018f326 3cc8ab90 3c820fb9 b0ef9842
SHA1	1fb36036 2dca64b7 2cbaf7f2 26435a97 0d33c6e2
SHA256	2127ed22 b5b22400 4864d76a 4ce94a19 9c0f3b5c 56a8767c a7cf38c7 3ad14e03
CI97-LIB-toolbox.lib	
MD5	159ffaf9 58d6b2eb 017da4c9 9068735f
SHA1	43f6a110 cdd4c23a bc0c22d3 9eda3e80 75f4b6ee
SHA256	3966c065 290399ef b73ac0a7 44c8caca 97815f0c 4ec65d64 678da336 5f2895e5
FTL.lib	
MD5	5abc1dca 0d92375d 3101a3cd de11faf8
SHA1	0201487a eb93b1a9 b766c02d 43a17c97 fe4c1106
SHA256	0438971c 5845d797 8d176578 b601812d e8d8e663 a09e3dc2 662b0999 7f473ea2

Table 19: Reference hash values of the Mifare libraries

Library	Hash Value
MifareManagement-01.04.1275-M9900.lib	
MD5	96479e6e912754f7e1b46a51b6b21e86
SHA1	cbf54d59872af8703dd4694f42a3e9c0d274041c
SHA256	d9adbdb3b920347bebc1a778e233e2f36cf7e9ba012059742af3c12053422ff05
MFM_BuildManufBlock.o	
MD5	db6555ece28bef262ef35653e142d4c9
SHA1	85c42ef153bbe31ed3e78ccce0506406d9e2a025
SHA256	29abeb9dfcedd84cbbc5c682221f3dbd3ee594ec6789b059263653603572bf36
MFM_DbC.o	
MD5	6d252e30cce9b2bcf179e20a96fdc9e2
SHA1	b3ea3c1b07f0766b8416d302c90cf3ed93ed1e3f
SHA256	ba0073ba2a655120cd74d1f3572a16f8b26674178991f01c241fb6989693e89b
MFM_GetUid.o	
MD5	66b88f06d72e97a485684fed780a1ac6
SHA1	6b981f5e3f6558e192f65b2fe83318865f324151
SHA256	52c858a07f517881add033bed9ad81a2d541c6b72cada5f2ff9ad9467bc46923
MFM_InitializeCard.o	
MD5	0d86588f8ef6ad894195570afe8e93b6
SHA1	79c9227ba1f8d92a787581caf2eb7190ef5610e3
SHA256	6394f85fcf856d48f4843ada0e7ba9d078f02611f7b81ee767c015bb0ab59d3f
MFM_Version.o	
MD5	8f06a7bdb00d8b32381a3504b03b67c0
SHA1	cbc8af6f6bf7aca63fbf396b7c960c7f9002d0b9
SHA256	e8697d6432130b01fc1b70566dcb95e9e00feb7ef72722173cbe250993d1717c
MIF_ChangeAuthUidFrac.o	
MD5	15bf55cd40fa0627ed8c8172e1daa458
SHA1	933ce7482811887079374d8ce3f24941c70a2744
SHA256	309669f1806a5d7df1be9689273f2eea4bda64a62857ac480a8ff59dc26e7a4b
MIF_CreateCard.o	
MD5	2e717768e0ed3adc677956d688f6fcf
SHA1	18fe13d1bc18744fe0f39c847949eb1449c48fef
SHA256	33c1c8c7b398e2d6664f9c26180280395c3347c92ed8073f64bcae146509686e
MIF_CreateCard2.o	
MD5	19edf0e2ab03a6dfa9df8efb04acee07
SHA1	e57ef41fbac8fd9b8b66f5536d4b46a5a90c6745
SHA256	319c44e9c0f26159b3096d9aa14fef77a68d4d7d57c367de4843a00a661f899d

MIF_GetCardManagementInfo.o	
MD5	84cc0f64b983e7d6154c514f0f986a1b
SHA1	c184b3f01a35431a127056d250d74911c83a8ca3
SHA256	be99647c532c7bf5888571f1d81fabb2b2caccad3568861ff250fa2be11ee0a4
MIF_GetSerialNumber.o	
MD5	8660d3bda3993ac7f397c148d2fc3219
SHA1	d1e74cb761b5b066dc2fc3e91dc10e6434b39cf8
SHA256	a31ec0bf93aad2412d071f469fab60e7fcd5bb2620c9bf7f7cc5840219f19aae
MIF_PersonalizeSector.o	
MD5	d7ebf18e189ba3b71ac6038a56e3f9c6
SHA1	a15cb233a876e40677faa1391df36ffe30d4471
SHA256	72f7f2cf4eaf10128cc96c4dd50e446283d5cda21b9ec01aceb3458ccd9e04b
MIF_ReadBlock.o	
MD5	fd335bdd81f095cf7295dfbdfd40fc8c
SHA1	01697d26a03156fb7109ef68df82cc74c2031205
SHA256	39e1f779b6c64c18e96f2c97ade07de5c7b24b4490452fac6aa3a7d0f88ce7e7
MIF_ReleaseCard.o	
MD5	d0591c49f710bf2acac40e36bc1d992a
SHA1	f026348cda84903e1046959cda237f2797679117
SHA256	279212992105f27c697bdb20fc98d50b4a65c3a90841db5ee6db344edf8680ab
MIF_WriteBlock.o	
MD5	bb9550c75a1ed791bbf9b27c1b72de5e
SHA1	db7d47b723d4d571ea647f8120c5e712961e6842
SHA256	d2b057beb07defe9ab1fdfaf02046ac47b60ba7025d930280c4ef1dcd7962c1e
MifareManagement-01.03.0927-M9900.lib	
MD5	d813db73036d96fa5f15c26e65ab505c
SHA1	e6ce16d5d8e9af8c094c2d29347a9dba48e1c0c0
SHA256	cc9de5bf3cea917d1917875f27cbb6bc3104495737213c0750107cbb917a11c2
MFM_BuildManufBlock.o	
MD5	25e7c77efc2067959f2446ad550770a9
SHA1	34510ff5b2ff44786eda120d266ffc3c248ec269
SHA256	c50151de10b5de294f24827eabfdef96d3022b77b550d232272bbb1827ac791b
MFM_DbC.o	
MD5	7d5b328a85ed341c45e8cbc2638006b0
SHA1	240313f94f31726a5ac774a51af1d3dbdb8af79d
SHA256	8123b6925f3f4b387e37d752f3705fc8e388e2cf17da00f4f03378e4f85ed5e
MFM_GetUid.o	

MD5	d23bc2d0db1432a022010142a5bcbf44
SHA1	6da35bf697f6ba5e30606105eeecd6bef7326787
SHA256	e7fd30e1e67be19ae2e9d990e50b96841cf05a47c6f6a16e8b2d82a7324cbd1c
MFM_InitializeCard.o	
MD5	085a0883d1c97fe542ba02ad2c4221b1
SHA1	12c5fa65324c3d41fca0af84343d5fb19b50a47f
SHA256	627d7c55a38dcd5e870df3e5bcfef039f208f8be0d332dc95cd143ef0ab522891
MFM_Version.o	
MD5	f2663fa192d94fa814a1b8dcd4453e86
SHA1	3229337c69f06c8a4284480e3097775189a2e4bc
SHA256	7fca0cc8ef99c5cda3d3cd8167518c7d7a877050ea6c29f1655bb2c44ad02f11
MIF_ChangeAuthUidFrac.o	
MD5	f0c1234092b1524809ca85aa7add0f9e
SHA1	6e3b826c4eedbcb36d5f616a09563b7b0af1a543
SHA256	e3052fc5f6ac515d285de9c2b47a7e7aa24b56902f8d7fc71458746796a0bad1
MIF_CreateCard.o	
MD5	33905712b11e2db50bd84df35d187e9c
SHA1	0c5bb952d29ced6413a6eb30e74757d16312d13b
SHA256	951c0908b0b0bda0456f66490931b44915617bd44925efd7c1597a2480094b30
MIF_GetCardManagementInfo.o	
MD5	20320b1fe31cb23643848c9ef2685f0b
SHA1	eab96447a69edda577dd9b73b531f614f300bfe8
SHA256	bd2e81074b505ed2056040b043bf286da8883f30c9516d68b00a84cb4fe152cd
MIF_GetSerialNumber.o	
MD5	8a2e258d073b4c758a1db226ecf6cea7
SHA1	fa9cfcbbb10039ee1b5b8f64ddbcea0f46f5eaf3
SHA256	e16f66d734b61fb0f906576348e44b9eddf3a8c2d6985e299fc8e92717bd7bf7
MIF_PersonalizeSector.o	
MD5	d89273b519a3eb0e3d52658332a36c00
SHA1	39a2dae1c2fad6e52b06f88304eb518974288f57
SHA256	e462c4717fbb40c57f58e9467b5a1e76d6077b79241dd9641dc1294ecdf4d234
MIF_ReadBlock.o	
MD5	4b89ae0384dfd643050a0354990bd4dc
SHA1	d3cf8d710d39e435d4052d0c162e08c8ffdad2b
SHA256	21e8e9debaf4d51679267ed66996a0c605c64c7b3a67623e95ac5081d3c7511f
MIF_ReleaseCard.o	
MD5	6024f413ec32cd08fd5483b4d1c2c05f
SHA1	ef5c45fd72b3f2258545655b63885de8970911d8

SHA256	b5aec17609d25629cbf2d72ef5de2cde47c33b5e1bd3c5eb0e40fa1e3279668e
MIF_WriteBlock.o	
MD5	1429c61a088d2d3c27b9bef3eda027b9
SHA1	28e39d08db6e74fc8973d399292666b5ab312cc0
SHA256	dcfedc0d4e87d4a902b5193aa54ebf3ce5eb38e9ad04bbdf78b3f71723d65013
MifareReader-01.02.0800-M9900.lib	
MD5	b7060def3f64e600c8d8b0291a0a4ba2
SHA1	8ade647dc615a91fd934d8e26325218fc98fe4da
SHA256	9ef4e1737018cd86c99464d2bbee44c84937243437ca4eb0e4ccbb03bc8df01f
MFR_Crypt.o	
MD5	ccf1e31cc484f534234898148ab83265
SHA1	bc4742bc22b6852fa1464e424220917c1c23062
SHA256	596c7886786b93516dad21dede9caf34542f12e4a939657b05d345a1da730f69
MFR_DbC.o	
MD5	1e96928bea958e94457c9ced5ed70487
SHA1	abcc5c050ddb96307429959bceaa2e4f04a837bc
SHA256	d9d6c496e5f5e0ef914c5a9ecd673aeb7c2a6e28fdd02d908976e1e2e823d4b3
MFR_Prng.o	
MD5	dc9aacd0ff1fc75f6da0070f481060bb
SHA1	977989a49c92a1fb208495ad09489eb53c27076f
SHA256	32011fe4f2045122aa25375a15cc803f04c9301b360da7f9e799b53280702033
MFR_Version.o	
MD5	eb9ace0c2face772b6e8547e76facafc
SHA1	48a69927c4aa4896f7230766f783f4465f22d85e
SHA256	8da087cad186d4e3c43553368df62361796d68ff28f8bfa0af905ecbf6505c4
MIF_ReaderModeAuthCard.o	
MD5	890bb995c4cb5219578beda31f40cf32
SHA1	9db5a58ae7293911368739b2669d9c24dc882502
SHA256	3b30d2faf23ba91a87b3f7c1c954c161807eab9a68891d99a07e75901d82ce9b
MIF_ReaderModeAuthReader.o	
MD5	73ec1fc5c14b003423ab39688d379f40
SHA1	e492835ba1e5f249a3846e932ccc652b1f0a01fa
SHA256	418c69c4be557db5f1592aa80c55449f7367c64c56521bd0a2c4a5fd6012d901
MIF_ReaderModeDecrypt.o	
MD5	28691eaca450f5feef647ae2dc1d77f3
SHA1	1d05839a7ec29646a61ba58bbf0b1b9d496a22e0
SHA256	0e7e2bf0250543382f5bbd3378b7e8a2c46171f8dded7c527f5971e7f6f4c08e

MIF_ReaderModeEncrypt.o	
MD5	d496dd6788a68241bc1d1d1a19341b8a
SHA1	ddfafba105305ca5918045eb249e5efab1dec651
SHA256	8c3b17d18f5d2f6e2312ca1db0d069126d3daf895fde1a477e462ef523d292f4
MIF_ReaderModeEnd.o	
MD5	1ce2a83b12207e56b9d00a07ff117bb2
SHA1	1571c8aa80b756075fc3f3cfefcd20b5b57ba30d
SHA256	de575fe8ce82a824b045a4ac2af3753f847d6b0eafd39f998b7eb23c4d5bf475
MIF_ReaderModeGetInfo.o	
MD5	4a368a350f6b5cfc2b3b7dbc6c38d66a
SHA1	0cde36ccb40cece1a7591c7ceadee1988fad0160
SHA256	10a4c957c12c49f80c2a2b0dc227addeeeec2fa708fb656a7dd336ab78a09bb0
MIF_ReaderModeSetup.o	
MD5	75b6bbbf1333f63289f069c4528eb803
SHA1	8c3300bc1d9d5d0977390585d327bdc0683bdb2f
SHA256	4d193499cce7c2544a9b135c90ff7d05d635f11ec94ce6ae1914a24d4be50982

11 List of Abbreviations

AES	Advanced Encryption Standard
AIS31	“Anwendungshinweise und Interpretationen zu ITSEC und CC Funktionalitätsklassen und Evaluationsmethodologie für physikalische Zufallszahlengeneratoren”
APB™	Advanced Peripheral Bus
API	Application Programming Interface
AXI™	Advanced eXtensible Interface Bus Protocol
BOS	Boot System
CC	Common Criteria
CPU	Central Processing Unit
CRC	Cyclic Redundancy Check
Crypto2304T	Asymmetric Cryptographic Processor
CRT	Chinese Remainder Theorem
DPA	Differential Power Analysis
DFA	Differential Failure Analysis
EC	Elliptic Curve
ECC	Error Correction Code
EDC	Error Detection Code
EDU	Error Detection Unit
GCIM	Generic Chip Identification Mode (BOS-CIM)
EEPROM	Electrically Erasable and Programmable Read Only Memory
EMA	Electro magnetic analysis
HW	Hardware
IC	Integrated Circuit
ID	Identification
IMM	Interface Management Module
I/O	Input/Output
MED	Memory Encryption and Decryption
MPU	Memory Protection Unit
O	Object
OS	Operating system
RAM	Random Access Memory
RMS	Resource Management System
RNG	Random Number Generator
ROM	Read Only Memory
RSA	Rives-Shamir-Adleman Algorithm

SCP	Symmetric Cryptographic Processor
SF	Security Feature
SFR	Special Function Register, as well as Security Functional Requirement The specific meaning is given in the context
SOLID FLASH™	Electrically Erasable and Programmable Read Only Memory (EEPROM)
SPA	Simple power analysis
SW	Software
T	Threat
TM	Test Mode (BOS)
TOE	Target of Evaluation
TRNG	True Random Number Generator
TSF	TOE Security Functionality
UART	Universal Asynchronous Receiver/Transmitter
UM	User Mode (BOS)
UMSLC	User Mode Security Life Control
3DES	Triple DES Encryption Standard

12 Glossary

Boot System	Part of the firmware with routines for controlling the operating state and testing the TOE hardware
Central Processing Unit	Logic circuitry for digital information processing
Chip	Integrated Circuit]
Chip Identification Mode data	Data stored in the Infineon® SOLID FLASH™ containing the chip type, lot number (including the production site), die position on wafer and production week and data stored in the ROM containing the BOS version number
Chip Identification Mode	Operational status phase of the TOE, in which actions for identifying the individual chip by transmitting the Chip Identification Mode data take place
Controller	IC with integrated memory, CPU and peripheral devices
Crypto2304T	Cryptographic coprocessor for asymmetric cryptographic operations (RSA, Elliptic Curves)
Cyclic Redundancy Check	Process for calculating checksums for error detection
Electrically Erasable and Programmable Read Only Memory (Infineon® SOLID FLASH™)	Non-volatile memory permitting electrical read and write operations
Firmware	Part of the software implemented as hardware
Hardware	Physically present part of a functional system (item)
Integrated Circuit	Component comprising several electronic circuits implemented in a highly miniaturized device using semiconductor technology
Memory Encryption and Decryption	Method of encoding/decoding data transfer between CPU and memory
Memory	Hardware part containing digital information (binary data)
Microprocessor	CPU with peripherals
Object	Physical or non-physical part of a system which contains information and is acted upon by subjects
Operating System	Software which implements the basic TOE actions necessary for operation
Programmable Read Only Memory	Non-volatile memory which can be written once and then only permits read operations
Random Access Memory	Volatile memory which permits write and read operations
Random Number Generator	Hardware part for generating random numbers
Read Only Memory	Non-volatile memory which permits read operations only

Resource Management System	Part of the firmware containing Infineon® SOLID FLASH™ programming routines, AIS31 testbench etc.
Security Mechanism	Logic or algorithm which implements a specific security function in hardware or software
SCP	Symmetric cryptographic coprocessor for symmetric cryptographic operations (3DES, AES).
Security Function	Part(s) of the TOE used to implement part(s) of the security objectives
Security Target	Description of the intended state for countering threats
Smart Card	Plastic card in credit card format with built-in chip
Software	Information (non-physical part of the system) which is required to implement functionality in conjunction with the hardware (program code)
Subject	Entity, generally in the form of a person, who performs actions
Target of Evaluation	Product or system which is being subjected to an evaluation
Test Mode	Operational status phase of the TOE in which actions to test the TOE hardware take place
Threat	Action or event that might prejudice security
User	Person in contact with a TOE who makes use of its operational capability
User Mode	Operational status phase of the TOE in which actions intended for the user takes place
WLB	Wafer Level Ballgrid Array
WLP	Wafer Level Package