

SECURITY TARGET

**distributed remote Qualified Signature Creation Device
(drQSCD)**

Contents

1. ST INTRODUCTION.....	5
1.1 ST REFERENCE.....	5
1.2 TOE REFERENCE.....	5
1.3 TOE OVERVIEW.....	5
1.3.1 TOE type.....	5
1.3.2 TOE usage.....	6
1.3.3 Major security features of the TOE.....	8
1.3.4 Required non-TOE hardware/software/firmware.....	10
1.4 TOE DESCRIPTION.....	11
1.4.1 The physical scope of the TOE.....	12
1.4.2 The logical scope of the TOE.....	13
1.4.3 Features and Functions not included in the TOE Evaluation.....	24
2. CONFORMANCE CLAIMS	25
2.1 CC CONFORMANCE CLAIM	25
2.2 PP CLAIM.....	25
2.3 PACKAGE CLAIM	25
2.4 CONFORMANCE RATIONALE	25
3. SECURITY PROBLEM DEFINITION.....	32
3.1 GENERAL	32
3.1.1 Assets of the Cryptographic Module (CM).....	32
3.1.2 Assets of the Signature Activation Module (SAM).....	32
3.1.3 Additional assets.....	34
3.1.4 Subjects of the Cryptographic Module (CM).....	34
3.1.5 Subjects of the Signature Activation Module (SAM).....	35
3.1.6 Threat agents of the TOE.....	35
3.2 THREATS	35
3.2.1 Threats for the Cryptographic Module (CM).....	35
3.2.2 Threats for the Signature Activation Module (SAM).....	36
3.2.3 Additional threats.....	39
3.3 ORGANIZATIONAL SECURITY POLICIES.....	40
3.3.1 Organizational Security Policies for the Cryptographic Module (CM).....	40
3.3.2 Organizational Security Policies for the Signature Activation Module (SAM).....	41
3.4 ASSUMPTIONS.....	41
3.4.1 Assumptions for the Cryptographic Module (CM).....	41
3.4.2 Assumptions for the Signature Activation Module (SAM).....	43
4 SECURITY OBJECTIVES.....	45
4.1 SECURITY OBJECTIVES FOR THE TOE.....	45
4.1.1 Security Objectives for the Cryptographic Module (CM).....	45
4.1.2 Security Objectives for the Signature Activation Module (SAM).....	48
4.1.3 Additional Security Objectives for the TOE.....	50
4.2 SECURITY OBJECTIVES FOR THE OPERATIONAL ENVIRONMENT.....	50
4.2.1 SOs for the Operational Environment of the TOE (CM+SAM).....	50
4.2.2 SOs for the Operational Environment of the Cryptographic Module (CM).....	51
4.2.3 SOs for the Operational Environment of the Signature Activation Module (SAM).....	52
4.3 SECURITY OBJECTIVES RATIONALE.....	54
4.3.1 Security objectives coverage (backtracking).....	54
4.3.2 Security Objectives Sufficiency.....	56

5	EXTENDED COMPONENTS DEFINITION	62
5.1	GENERATION OF RANDOM NUMBERS (FCS_RNG).....	62
5.2	BASIC TSF SELF TESTING (FPT_TST_EXT).....	63
6	SECURITY REQUIREMENTS.....	64
6.1	SECURITY FUNCTIONAL REQUIREMENTS.....	64
6.1.1	<i>Use of requirement specifications</i>	64
6.1.2	<i>SFRs of the Cryptographic Module (CM)</i>	67
6.1.3	<i>SFRs of the Signature Activation Module (SAM)</i>	89
6.1.4	<i>Additional SFRs</i>	118
6.2	SECURITY ASSURANCE REQUIREMENTS.....	120
6.3	SECURITY REQUIREMENTS RATIONALE.....	121
6.3.1	<i>Security requirements coverage</i>	121
6.3.2	<i>Satisfaction of SFR dependencies</i>	127
6.3.3	<i>Satisfaction of SAR dependencies</i>	132
6.3.4	<i>Rationale for chosen security assurance requirements</i>	132
7	TOE SUMMARY SPECIFICATION.....	133
7.1	SECURITY FUNCTIONALITY.....	133
7.1.1	<i>Roles, Authentication and Authorisation (SF_IA_CM and SF_IA_SAM)</i>	133
7.1.2	<i>Security management (SF_Management_CM and SF_Management_SAM)</i>	134
7.1.3	<i>Key Security (SF_Crypto_CM, SF_Crypto_SAM and Crypto_extCM)</i>	134
7.1.4	<i>Access and information flow control (SF_Control_CM and SF_Control_SAM)</i>	136
7.1.5	<i>TSF data protection (SF_FPT_CM and SF_FPT_SAM)</i>	137
7.1.6	<i>Audit (SF_Audit_CM and SF_Audit_SAM)</i>	137
7.1.7	<i>Communication protection (SF_Comm_CM and SF_Comm_SAM)</i>	138
7.1.8	<i>Distributed structure (SF_Distributed_TOE)</i>	138
7.2	TOE SUMMARY SPECIFICATION RATIONALE.....	139
8	REFERENCES AND ACRONYMS.....	143
8.1	REFERENCES.....	143
8.2	ACRONYMS.....	145

List of Figures

<i>1.1. FIGURE: THE TOE IN THE “LOCAL” USE CASE</i>	6
<i>1.2. FIGURE: THE TOE IN THE “REMOTE” USE CASE</i>	7
<i>1.3. FIGURE: TOE IN MULTI-PARTY CONFIGURATION</i>	10
<i>1.4. FIGURE: MPCA ARCHITECTURE</i>	11
<i>1.5. FIGURE: PHYSICAL APPEARANCE OF AN MPCA</i>	12
<i>1.6. FIGURE: DIAGRAM OF THE DIFFERENT STATES AND STATE TRANSITIONS OF AN MPCA</i>	23

List of Tables

TABLE 1.1 KEY ATTRIBUTES.....	15
TABLE 1.2 SUPPORTED CRYPTOGRAPHIC OPERATIONS AND ALGORITHMS.....	17
TABLE 2.1 THREATS.....	26
TABLE 2.2 ORGANIZATIONAL SECURITY POLICIES.....	27
TABLE 2.3. ASSUMPTIONS.....	27
TABLE 2.4 SECURITY OBJECTIVES FOR THE TOE.....	29
TABLE 2.5 SECURITY OBJECTIVES FOR THE OPERATIONAL ENVIRONMENT.....	29
TABLE 4.1 MAPPING OF SECURITY PROBLEM DEFINITION TO SECURITY OBJECTIVES FOR CM.....	54
TABLE 4.2 MAPPING OF SECURITY PROBLEM DEFINITION TO SECURITY OBJECTIVES FOR SAM.....	55
TABLE 4.3 MAPPING OF SECURITY PROBLEM DEFINITION TO SECURITY OBJECTIVES FOR THE DISTRIBUTED STRUCTURE...	56

TABLE 6.1 FUNCTIONAL SECURITY REQUIREMENTS FOR THE DISTRIBUTED STRUCTURE OF THE DRQSCD.....	67
TABLE 6.2 TSF DATA RELATED TO THE UNBLOCKING.....	82
TABLE 6.3 KEY ATTRIBUTES INITIALISATION TABLE.....	84
TABLE 6.4 KEY ATTRIBUTES MODIFICATION TABLE.....	85
TABLE 6.5 SUBJECTS OF THE SAM.....	89
TABLE 6.6 OBJECTS OF THE SAM.....	89
TABLE 6.7 OPERATIONS SUPPORTED BY THE SAM.....	89
TABLE 6.8 ASSURANCE REQUIREMENTS: EAL4 AUGMENTED BY AVA_VAN.5 AND ALC_FLR.3.....	120
TABLE 6.9 CM SECURITY OBJECTIVES MAPPING TO SFRS.....	122
TABLE 6.10 SAM SECURITY OBJECTIVES MAPPING TO SFRS.....	125
TABLE 6.11 ADDITIONAL SECURITY OBJECTIVES MAPPING TO SFRS.....	127
TABLE 6.12 SATISFACTION OF DEPENDENCIES FOR CM.....	129
TABLE 6.13 SATISFACTION OF DEPENDENCIES FOR SAM.....	131
TABLE 6.14 SATISFACTION OF DEPENDENCIES FOR ADDITIONAL SFRS.....	131
TABLE 6.15 SATISFACTION OF DEPENDENCIES FOR ASSURANCE REQUIREMENTS.....	132
TABLE 7.1 MAPPING OF SFRS AND SFS.....	142

1. ST Introduction

1.1 ST reference

ST reference: drQSCD-ST

ST version: 1.2

ST date: May 2, 2019

CC version 3.1, revision 4

Assurance level: EAL4 augmented by AVA_VAN.5 and ALC_FLR_3

ST author: I4P-informatikai Kft. (I4P Ltd.)

1.2 TOE reference

The TOE reference is "drQSCD version 1.0".

Note:

The TOE reference is displayed on the LCD screen of the Multi-Party Cryptographic Appliances (MPCAs) as "drQSCD v1.0" with the same serial number as also printed on a sticker. After starting the appliance, the very same serial number and version information are displayed on an attached monitor, as well as the configuration marks.

Configuration marks for the evaluated configurations of the TOE are also displayed on the attached monitor as:

1. "Operation mode: multi-party" for the multi-party configuration, where the drQSCD consists of three identical TOE parts to operate as a logical whole in order to fulfill the requirements of this Security Target,
2. "Operation mode: standalone" for the standalone configuration, where the drQSCD consists of only one MPCA, and that alone fulfills the requirements of this Security Target, but of course cannot offer the additional services described in 6.1.4 and 7.1.8.

1.3 TOE overview

1.3.1 TOE type

The drQSCD is a multi-user, multi-key device. The drQSCD is composed of two main components which can work together to fulfill different sets of requirements:

- The Cryptographic Module (CM) component of the drQSCD is a general-purpose cryptographic module suitable for cryptographic support needed by its legitimate users (eg. service providers supporting local or remote electronic signature and electronic sealing operations, certificate issuance and revocation, time stamp operations and authentication services). The drQSCD can also be configured to generate, store and activate signer's keys in one or more external CMs for speed enhancement or legacy reasons.
- The Signature Activation Module (SAM) component of the drQSCD is a local application deployed within the tamper protected boundary of the drQSCD and implements the Signature Activation Protocol (SAP). It uses the Signature Activation Data (SAD) from a remote signer to activate the corresponding signing key for use in a cryptographic module.

1.3.2 TOE usage

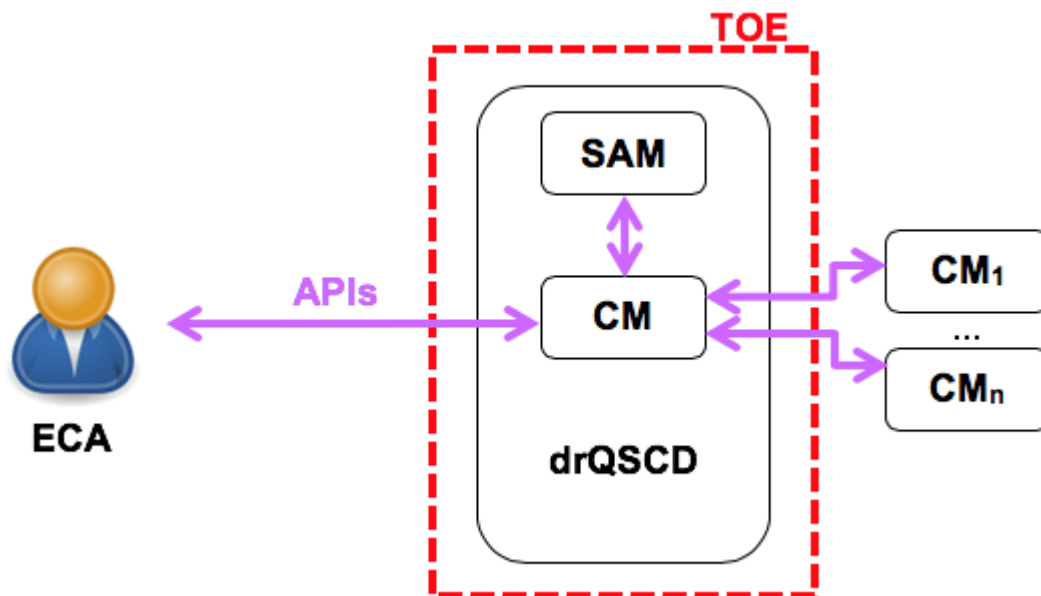
The drQSCD is a QSCD and is suitable for both (“Local” and “Remote”) use cases of [EN 419221-5] Protection Profile.

1.3.2.1 The “Local” use case

This use case (see 1.1 Figure and 1.3.2.1 in [419221-5]) is aimed at local key owners applying their own electronic signatures or seals. In this use case only the CM functionality of the TOE is used, which performs local cryptographic operations, and associated key management. These operations can be used by a client application to create qualified and non-qualified electronic signatures and electronic seals for the local key owner natural or legal person. Examples include TSPs issuing certificates and time-stamps, as well as supporting application services such as e-invoicing and registered e-mail where the service provider applies its own seal or signature.

In this use case the local key owner is responsible for the security of the environment in which the drQSCD is used and managed. In this use case the drQSCD generates, stores and uses only keys that belong to and represent the local end entity, apart from its infrastructural support keys (used in internal protection mechanisms).

The drQSCD provides its own development API (called CMAPI enabling the easy integration with a wide range of applications) and other well-known APIs (eg. the PKCS#11 and OpenSSL API).



1.1. Figure: The TOE in the “Local” use case

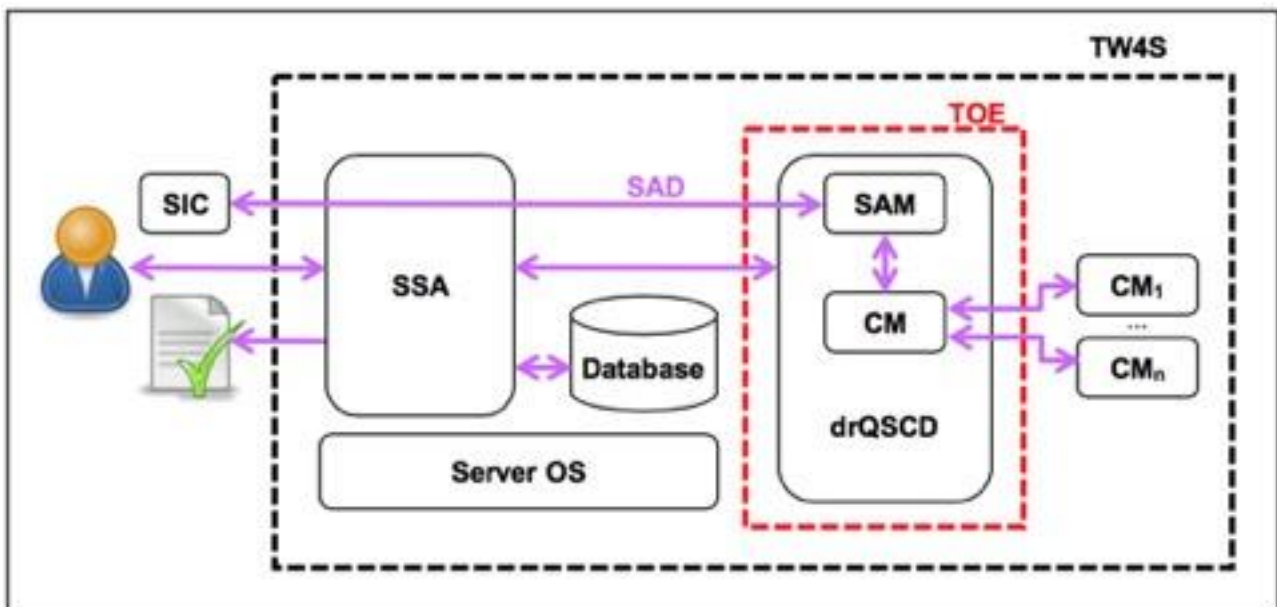
1.3.2.2 The “Remote” use case

This use case (see 1.2 Figure and 1.3.2.2 in [419221-5]) is aimed at TSPs supporting requirements for remote signing, or sealing, as specified in [eIDAS]. In this case the inbuilt CM, as well as other external CMs configured to be used (if there are any) and the SAM functionality of the drQSCD

together meets the requirements for QSCDs in the context of remote signing set out in Annex II of [eIDAS].

The SAM functionality of the drQSCD meets the requirements for Sole Control Assurance Level 2 as defined in [EN 419241-1].

In this use case the CM functionality of the drQSCD, as well as other external CMs configured to be used (if there are any) performs cryptographic operations, and associated key management, which can be used by an application using server signing, as defined in [EN 419241-1], to create qualified electronic signatures and qualified electronic seals on behalf of a legal or natural person which is distinct from and remote from the TSP which manages the drQSCD. The CM functionality of the drQSCD, as well as other external CMs configured to be used (if there are any) generates, stores and uses signing, sealing keys in a way that maintains the remote control of an identified signatory or seal creator who operates through the use of a client application. The CM functionality of the drQSCD, as well as other external CMs configured to be used (if there are any) deals with ensuring the security of keys and their use for signature or seal creation.



1.2. Figure: The TOE in the "Remote" use case

The Signer's Interaction Component (SIC) is a piece of software and/or hardware, operated on the signer's environment under its sole control.

The Server Signing Application (SSA) uses the drQSCD in order to generate, maintain and use the signing keys.

The Signature Activation Protocol (SAP) allows secure use of the signing key for the creation of a digital signature to be performed by a Cryptographic Module (CM part of the drQSCD or other external CMs configured to be used, if there are any) on behalf of a signer. The use of the Signature Activation Data (SAD), which is the essential part of the SAP, ensures control over the signer's key. The Signature Activation Module (SAM) is a software part of the drQSCD, which uses the SAD in order to guarantee with a high level of confidence that the signing keys are used under sole control of the signer.

The Cryptographic Modules (CM part of the drQSCD or other external CMs configured to be used,

if there are any) implement the main security functions, including cryptographic algorithms and key generation.

Signature activation for the drQSCD is the following:

- Signing key confidentiality and integrity are ensured by the CM part of the drQSCD, as well as other external CMs configured to be used (if there are any) (located in a tamper protected environment).
- The drQSCD (SAM + CM) as well as other external CMs configured to be used (if there are any) are under control of the SSA.
- The SAM part of the drQSCD participates in SAP and ensures that the signature operation is under the legitimate signer's control.
- The SSA interfaces via a secure channel the SAM which verifies the SAD in order to activate the corresponding signing key.
- The signer authentication can remain for a given period and/or for a given number of signatures.
- SAD computation shall be done for each signature operation, but the SAD may be linked to a set of DTBS/R, this allows the SSA to be used for bulk/batch signature purposes.
- Signer authentication is done using the SIC creating a link between the signer and the signature as part of the SAD.
- The SAD is transferred securely from the SIC to the SAM for verification.

1.3.3 Major security features of the TOE

The drQSCD can provide both SAM and CM functionality. In the multi-party configuration different parts of the drQSCD implement secure multi-party computation (MPC) protocols.

1.3.3.1 CM functionality

Based on its CM component the drQSCD is a cryptographic module. CM functionality includes but is not limited to:

- generating, storing, using, backing up, restoring and destructing AES and RSA keys,
- ensuring the security (confidentiality and integrity) of symmetric (AES and 3DES) keys and asymmetric (RSA, ECDSA) private keys, and pre-generated primes for RSA key pairs,
- creating qualified electronic signatures and electronic seals,
- performing additional supporting cryptographic operations, such as creation of non-qualified electronic signatures and seals, verification of electronic signatures and seals, cryptographic hash function, keyed-hash message authentication, AES encryption and decryption, RSA encryption and decryption, key derivation, TOTP verification,
- supporting of authentication of client applications or authorised users of secret keys, and support of authentication for electronic identification, as identified by [eIDAS],
- allowing the key owners to use TOTP one-time-passwords when activating their keys.

The cryptographic services/functions above are available for ECAs and LCAs through an API.

The CM functionality of the drQSCD allows to use external Cryptographic Modules (based on a configuration parameter).

In this case some keys are generated, stored and used by an external CM configured to be used. The CM does not perform cryptographic operations, but invokes the external CM with appropriate parameters whenever a cryptographic operation is required. This invocation is performed through a Local Client Applications (CMbr on the 1.4 Figure) using Standard PKCS#11 API.

1.3.3.2 SAM functionality

Based on its SAM functionality drQSCD ensures that the remote signer has sole control of his signature keys, according to [EN 419241-1] SCAL2 for qualified signatures.

SAM functionality includes but is not limited to:

- authenticating the remote signer based on two authentication factors (a password and a one-time-password calculated from a shared secret),
- authorising the signature operation,
- activating the signing key within the internal CM functionality (and the external CM if configured, see 1.3.3.1 for details).

SAM and the signer (via the SIC) communicate in order to generate the SAD. The SAD binds together signer authentication with the signing key and the data to be signed (DTBS/R).

Using the SAM functionality is optional: the SAM functionality of the drQSCD can also be performed by an External Client Application, using CM APIs (see Figure 1.1).

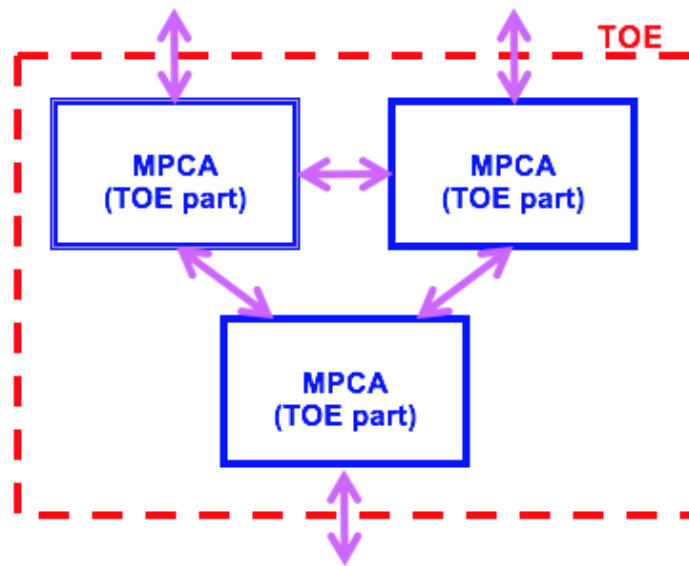
1.3.3.3 MPC functionality

In case of multi-party configuration, the drQSCD consists of three identical TOE parts (Multi-Party Cryptographic Appliances or MPCAs) to operate as a logical whole in order to fulfill the requirements of this Security Target (see 1.3. Figure).

Generation of the RSA key pairs (and the pre-generated primes for them) for end users is not performed in a single MPCA, but in a distributed way, the three MPCAs jointly generate the RSA key pairs. Similarly, the three MPCAs jointly create the electronic signatures or decrypt the encrypted messages, using a multi-step signing / decrypting method. A single MPCA never knows (neither processes nor stores) the whole private key.

Authentication of the end users is also performed in a distributed way, the three MPCAs jointly authenticate the end users.

The drQSCD ensures the consistency among the MPCAs (eg. their databases, internal states).



1.3. Figure: TOE in multi-party configuration

If one of the three MPCAs becomes dysfunctional, the other two MPCAs can ensure a limited functionality.

In case of standalone configuration, the drQSCD consists of only one MPCA, and that alone fulfills the requirements of this Security Target (but of course cannot offer the additional services described in 6.1.4 and 7.1.8).

1.3.4 Required non-TOE hardware/software/firmware

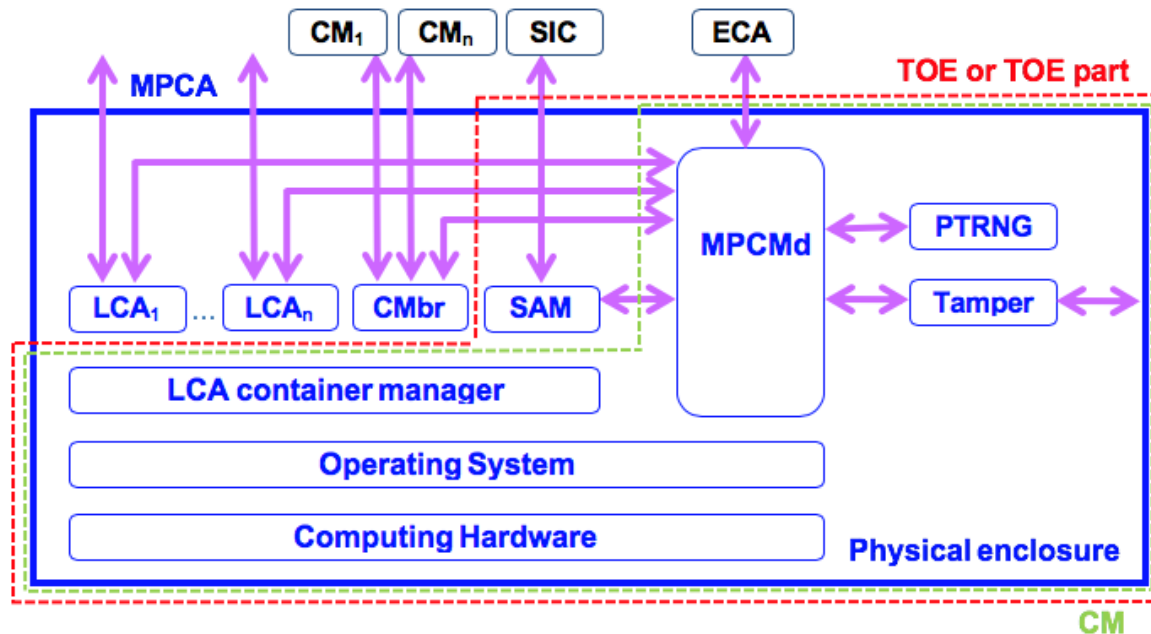
The following hardware, firmware and software supplied by the IT environment are excluded from the TOE boundary (see Figure 1.1):

- Signer's Interaction Component (SIC) used locally by the signer to communicate with the remote systems.
- Server Signing Application (SSA) that handles communications between SAM in the drQSCD and SIC in the signer device.
- Signature Creation Application (SCA) that manages the document to be signed and transfers that to the SSA through the SIC.
- External Client Applications (ECAs) which can use the cryptographic services of the drQSCD, including:
 - Certificate Generation Application (CGA) that issues signer certificates, or
 - other SAM used by the remote key owner entity for qualified electronic signature, or
 - other applications used by the local key owner entity for qualified electronic signature and electronic sealing operations, time stamp operations, authentication services, etc.
- Other external CMs configured to be used (if there are any).
- CMbr which transfers the PKCS#11 commands from MPCMd to an external Crypto Module (configured to be used, if there is any) and optionally other Local Client Applications (LCAs).
- Standard APIs (e.g. a PKCS#11, OpenSSL API) through which end users can securely access the drQSCD besides the evaluated CMAPI interface.

1.4 TOE description

Depending on its configuration the drQSCD consists of one or three MPCAs.

The generic architecture of an MPCA is shown in (1.4. Figure).



1.4. Figure: MPCA architecture

Physical enclosure: the MPCA is a metal, rack mountable box.

Computing Hardware: a hardware platform from the CC evaluated configurations of the Operating System.

Operating System: Red Hat Enterprise Linux, Version 7.1 (RHEL v7.1 has a Common Criteria EAL 4 augmented by ALC_FLR.3, certification: BSI-DSZ-CC-0999-2016) with security fixes

LCA container manager: the service managing the Local Client Applications, which provide isolated execution environments for the LCAs

LCA: Local client applications are embedded application running inside the physical boundary of the MPCA:

- the SAM is one example of the LCAs (it is TOE part),
- the CMbr is a non-TOE part LCA,
- others LCAs (LCA₁, LCA_n in the Figure 1.4) are also non-TOE parts.

LCAs can use cryptographic services/functions provided by MPCMd only through the same API which is enable for all ECAs.

SAM daemon: Signature Activation Module daemon implements the Signature Activation Protocol (SAP), using the Signature Activation Data (SAD) from a remote signer to activate the corresponding signing key. In case of the multi-party configuration, the three SAM daemon jointly provide the SAM functionality.

- 2 USB interfaces for local console administration and backup purposes,
- display connector for a local display,
- power connector,
- chargeable battery holder and battery health LED,
- Power/Reset and Tamper/Confirm buttons,
- LED indicators,
- LCD display for version information.

the internal hardware:

- motherboard and CPU from the OS's certified list,
- HDDs that maintain the MPCA's software and data (files and data records),
- a Tamper Detection Module that automatically deletes sensitive information and shut downs the appliance when trying to open the appliance,
- different tamper sensors,
- PTRNG that provides true random seed for different cryptographic operations (eg. key generations).

the internal software:

- the hardened OS (based on the CC certified Red Hat Enterprise Linux, Version 7.1),
- limited shell,
- Multi-Party Cryptographic Module (in case of multi-party configuration, the three MPCAs jointly provide the CM functionality),
- Signature Activation Module local client application (in case of multi-party configuration, the three SAM LCAs jointly provide the SAM functionality),
- OpenSSL FIPS Object module v2.0.16, the FIPS 140-2 validated version of the OpenSSL (Certificate No. #1747, #2398 and #2473), which performs the TLS protocol and all non-distributed cryptographic functions, supports distributed cryptographic functions, and provides base functions for DRNG.
- others LCAs (non-TOE parts).

1.4.2 The logical scope of the TOE

1.4.2.1 CM functionality

Roles and available functions

The CM (i.e. CM functionality of the drQSCD) maintains the following roles, associating users with roles:

- Administrator, a privileged subject who can perform CM specific management operations, through a local console or the externally available CMAPI, including the following:
 - Create_New_Administrator (creating a new account with security attributes for an Administrator). Creating the initial (first) Administrator requires entering an installation code.
 - Public RSA key export (using a PKCS#10 or a CMC ([RFC 2797]) certificate request for exporting the public RSA key components).
 - Unblocking (unblocking access to a blocked key)
 - Modifying attributes of keys (Key Usage),
 - Audit data export/deletion (exporting and deleting the local audit file and the ErrorLog)
 - Backup and restore functions (restore function is under dual control).
- Key User, a normal, unprivileged subject who can invoke operations on a key according to the authorisation requirements for the key. This role acts through a local client application (e.g. SAM) or through an external client application.

- Local Client Application, application running inside the physical boundary of the MPCA.
- External client application, application communicating remotely with one of the MPCA through a network connection.

Authentication and Authorisation

The CM uses a common method for identification and authentication in case of each role: a unique user identifier (sent by the user during authentication) + (static password). The password is checked against the RAD (salted, hashed and encrypted password) stored in the user's account as a security attribute.

The CM blocks the account after a predefined number of consecutive failed authentication attempts, where these administrator configurable numbers can be different for each role.

Before using a secret key in a cryptographic operation an authorisation or a re-authorisation as a user of the key is always required. The CM blocks the secret key after a predefined number of consecutive failed authorisation attempts.

Key Security

The CM ensures the security of its keys for their whole lifecycle. The generic key lifecycle includes the methods by which a key may arrive in the drQSCD (import, generation or restore from backup), resulting in binding of a set of attributes to the key, storage of the key, and finally the ways in which a stored key may then be processed (export, use in a cryptographic function, backup, destruction).

Key export/import

The CM does not provide facilities to export or import Assigned keys.

The CM allows import and export of secret (non-Assigned) keys only in encrypted form.

Public keys may be imported and exported in a manner that protects the integrity of the data during transmission.

Key generation

The CM generates different types of keys for its supported cryptographic operations:

- RSA key pairs (2048, 3072, 4096 bits) for end users,
- infrastructural RSA key pairs (2048 bits) for internal security mechanisms,
- AES keys (256 bits) for file and record encryption/decryption,
- shared secrets (256 bits) for TOTP,
- master secrets (384 bits) for TLS.

The CM uses approved standards for key generation.

The security attributes of the newly generated keys have restrictive default values.

The end user's RSA key pairs can be generated in a distributed or in a non-distributed way.

The generation of all keys (including all shares of the private keys and of the pre-generated prime numbers) based on an appropriate hybrid deterministic random number generator, whose internal state uses a physical true RNG as a random source.

Key restore from backup

The CM provides a function to restore secret keys from backup.

Only two Administrators are able to perform the restore function (dual control).

In the backups, all data (including keys, key attributes, authentication data) are signed and encrypted. Consequently, any restore operation preserves their integrity (including the binding of each set of attributes to its key) and confidentiality.

Binding of a set of attributes to the key

The CM binds the following set of attributes to the Key User's keys, which determine their use:

Attribute	Description	Initialisation/Modification
Key ID key identifier	uniquely identifies the key within the system of which the CM is a part.	Initialised by generation process Cannot be modified
Owner ID	identifies the Key User who owns the key.	Initialised by generation process Cannot be modified
Key Type	identifies whether the key is a AES key or a RSA key.	Initialised by generation process Cannot be modified
Authorisation Data	Value of data that allows a secret key to be used for cryptographic operations. The CM does not store the value of the Authorisation data, but uses it for encrypt/decrypt (share of) the key.	Initialised by authenticated Key User Modified only when modification operation includes successful validation of current (pre-modification) authorisation data
Re-authorisation conditions	The constraints on uses of the key that can be made before reauthorisation, and which determine whether a subject is currently authorised to use a key.	Initialised by generation process Cannot be modified
Key Usage	The cryptographic functions that are allowed to use the key	Initialised by creator during generation Cannot be modified
Assigned Flag	indicates whether the key has currently been assigned. For an Assigned Key, its authorisation data can only be changed on successful validation of the current authorisation data – it cannot be changed or reset by an Administrator – and the re-authorisation conditions and key usage attributes cannot be changed. Allowed values are ‘assigned’ and ‘non-assigned’.	Initialised by generation process Cannot be modified
Uprotected Flag	indicates whether the stored key is protected only with an infrastructural key, or additionally with a password established by the Key User (key’s owner). This flag is initialised by key generation process, setting its value to “no”. When the Key User establishes his/her Authorisation Data, the value of this flag is set to “yes”.	Initialised by generation process Modified only when the Key User establishes his/her Authorisation Data
Operational Flag	indicates whether the key is in operational state. This flag is initialised by key generation process to “non-operational”. A key can be used for cryptographic operations only in “operational” state. Only the Key User (key’s owner) is able to change the value of this flag from “non-operational” to “operational” and vice versa.	Initialised by generation process Can be modified only by Key User
Integrity Protection Data	is a digital signature created by an infrastructural key for key data record which contains the key and its attributes	Cannot be modified by users (maintained automatically by TSF)
Key Device Type	indicates whether the key is generated, stored and used by the TOE itself (default) or by an external CM (configured to be used)	Initialised by creator during generation Cannot be modified

Table 1.1 Key Attributes

Storage of the key

The CM protects the integrity of keys and their attributes:

- All stored data records (including keys with their security attributes) have a “record signature” element which is a PKCS#1 RSA signature with an infrastructural key.
- Before any use of a key a signature verification is performed for its “record signature”.
- Upon detection of a data integrity error, the CM prohibits the use of the altered data and notifies the error to the user.

The CM protects the confidentiality of secret keys and their sensitive attributes:

- All stored secret keys and all sensitive key attributes are encrypted with an infrastructural key.
- The CM explicitly denies the access to the plaintext value of any secret key (neither directly nor through intermediate values in an operation).

Key export

The CM controls the key export:

- only authorized Administrators are able to perform key export,
- only non-Assigned keys are allowed to export,
- only keys with “Export Flag”=“exportable” are allowed to export.

The CM protects the confidentiality of secret keys during export:

- key export requires a secure channel,
- key export is allowed only in encrypted form.

Key usage

An authorisation is required before use of a key and the key can only be used as identified in its Key Usage attribute.

In addition, the initial authorisation, a re-authorisation is required depending the re-authorisation conditions such as expiry of a time period or number of uses of a key, or after explicit rescinding of previous authorisation.

The CM protects the authorisation data: minimizes the time that authorisation data is held; stores only in RAM; zeroes before deallocation.

The CM blocks the access to a key on reaching an authorisation failure threshold. Only an administrator is able to unblock a key, but the unblocking process does not itself allow the keys to be used. Unblocking access to a key does not allow any subject other than those authorised to access the key at the time when it was blocked.

The CM supports different approved algorithms for different purposes identified in the Table 1.2.

cryptographic operations	cryptographic algorithms	cryptographic key sizes	applicable standards	supported operations
creation of digital signatures and seals	RSA	2048, 3072, 4096 bits	[TS 119312], [PKCS #1], [FIPS 186-4]	local signing, remote server signing
verification of digital signatures and seals	RSA	2048, 3072, 4096 bits	[TS 119312], [PKCS #1], [FIPS 186-4]	checking the integrity protection data
cryptographic hash function	SHA-1 SHA-224, SHA256, SHA384, SHA512	none	[TS 119312], [FIPS 186-4]	TLS protocol, signing a log or a database record or a stored file, generating or checking the integrity protection data
keyed-hash message authentication	HMAC_ SHA256	384 bits message digest sizes: 256 bits	[RFC 2104]	TLS protocol, PBKDF2 key derivation
cipher-based message authentication code	AES-CMAC	sizes: 256 bits	[RFC 4493]	TLS protocol, PBKDF2 key derivation
encryption and decryption	AES (in CBC, CCM, CFB1, CFB8, CFB, CTR, ECB, GCM, OFB, XTS mode)	128, 192, 256 bits	[FIPS 197], [SP 800-38A]	data encrypting/decrypting TLS protocol, SAP protocol, writing/reading a stored file or data record

cryptographic operations	cryptographic algorithms	cryptographic key sizes	applicable standards	supported operations
encryption and decryption	3DES (in ECB, CBC, CFB1, CFB8, CFB, OFB mode)	192 bits	[SP 800-38A]	data encrypting/decrypting
secure messaging - encryption and decryption	RSAES-PKCS1-v1_5	2048 bits	[PKCS#1]	TLS protocol, SAP protocol, wrapping/unwrapping the AES keys
key derivation	PBKDF2	length of password	[PKCS#5]	encrypting passwords, deriving key encryption keys
TOTP verification	HOTP	256 bits	[RFC4226] [SP 800-90A]	using for HOTP
cryptographic support for one time password (TOTP verification)	HOTP	256 bits	[RFC4226], [RFC6238]	possession-based authentication of the Signer
random number generation	CTR_DRBG	x bytes	[SP 800-90A]	generation of keys, IVs, session IDs, salt
key exchange	ECDH	elliptic curves: secp224k1 secp256r1 secp384r1 secp521r1 sect233k1 sect283k1 sect409k1 sect571k1 sect233r1 sect283r1 sect409r1 sect571r1	[SP 800-56A]	key exchange
digital signature creation and verification	ECDSA	elliptic curves: secp224k1 secp256r1 secp384r1 secp521r1 sect233k1 sect283k1 sect409k1 sect571k1 sect233r1 sect283r1 sect409r1 sect571r1 c2pnb208w1 c2tmb239v1 c2tmb239v2 c2tmb239v3 c2pnb272w1 c2pnb304w1 c2tmb359v1 c2pnb368w1 c2tmb431r1	[SEC 2] [X9.62] [FIPS 186-4]	local signing, remote server signing

Table 1.2 Supported cryptographic operations and algorithms

Key backup

The CM provides a function to backup the TOE, thus the stored secret keys.

Only Administrators are able to perform the backup function. All backups are signed, Consequently, any backup preserves their integrity (including the binding of each set of attributes to its key). All backups are encrypted. Consequently, any backup preserves their confidentiality.

Key destruction

All secret keys and all authorisation data are zeroised (with physically overwriting) at the end of their lifecycle or after they have been deallocated.

TSF data protection

The CM ensures the security of its TSF data, implementing self-tests, and providing secure failure and tamper protection capability.

Self tests

The CM provides a suite of self tests, which check and demonstrate the correct operation of the CM security functionality. The CM implements these self tests:

- during initial start-up (including software/firmware integrity test, cryptographic algorithm tests and random number generator tests),
- periodically during normal operation (e.g. checking the environmental resources, checking whether the environmental conditions (including temperature and power) are outside normal operating range),
- at the request of the Administrator (software/firmware integrity tests),
- at the conditions (e.g. RSA pair-wise consistency tests during the RSA key pair generation)

Each MPCA performs the same self-tests, but at different times.

Secure failure

In case of critical failures, the CM enters a secure error state, in which it no more services its end users, but only performs infrastructural services. These critical errors include but are not limited to the following: self-test fails, environmental conditions are outside normal operating range, failures of critical TOE hardware components (including the RNG) occur.

Tamper protection

The CM implements a tamper detection security function:

- The MPCAs are protected by using uniquely identifiable tamper-evident seals and an appropriate physical design that allows the Administrator to verify the physical integrity of the MPCAs as part of a routine inspection procedure.
- This requires regular visual inspection of the MPCAs for signs of tamper at a frequency determined by the risk assessment of the specific operational environment.

The CM has a tamper resisting architecture:

- All secret keys are stored in different hardware components (MPCAs) in a distributed way.
- All shares of the secret keys and all sensitive key attributes stored permanently in the CM are encrypted with an infrastructural key.
- Authorisation data are not stored permanently in the TOE.

The CM implements a tamper response security mechanism:

- Tamper response is based on active protection of the MPCA. It is a combination of tamper sensors, temperature and voltage monitor.
- If any MPCA detects a physical tampering (eg. removing the cover of the closed physical enclosure) the CM enters a Tamper state.
- A result of the entering the Tamper state:
 - all processing of end users' requests are halted,
 - all authentication and authorisation data, all key shares and all sensitive key attributes stored temporarily in RAM are immediately zeroized with physically overwriting,
 - the internal state of the DRNG is zeroized with the uninstantiate function.
- If the CM is in Tamper state, the CM does not perform any cryptographic operation and does not respond to any user request.

Audit

The CM audits all security related events. The audit records do not include any data which allow to retrieve sensitive data,

Every audit record includes the time of the event, subject identity (if applicable) and a human readable descriptive string about the related event. The CM detects unauthorised modification (including deletion and insertion) to the stored audit records in the audit trail.

Every block of audit record includes a serial number, a reliable time stamp (date and time of the event), an identifier of the related MPCA, and are signed with an infrastructural key.

The CM automatically transfers the blocks of audit records to an external audit server. If the transfer of an audit block has failed, the CM temporarily accumulates audit blocks locally in an audit directory, and periodically retries the transfer to the external audit server.

If the audit sub-system doesn't work for a reason, a special file (ErrorLog) is created and the audit records are appended to it while the system shuts down.

When local audit storage exhaustion is detected, the CM requires the local audit file to be successfully exported and deleted before allowing any other security related actions.

Only the Administrator is able to export and delete the local audit file and the ErrorLog.

Trusted communication

The CM implements and enforces:

- a secure channel based on TLS protocol, for communication with Administrators (through the SSA) and ECAs,
- a secure channel based on SSH protocol, for communication with Administrators (using the console command interface in the provided limited shell),
- a direct channel for communication with Administrators (using the console command interface with a physical keyboard),

The internal communication among different CM parts (among MPCAs) is also protected by TLS protocol.

MPCM and CMbr are located within the physical boundary of the same hardware appliance then the communication between them is a trusted communication (the trusted path may be mapped to the physical configuration).

Optional using of external CMs

The CM functionality of the drQSCD allows to use external Cryptographic Modules (based on a configuration parameter).

If a key initialised by creator during generation other than 'default', the CM functionality does not perform cryptographic operations, but invokes the external CM with appropriate parameters whenever a cryptographic operation is required.

This invocation is performed through a Local Client Applications (CMbr on the 1.4 Figure) using Standard PKCS#11 API.

This invocation is related the following "Key Security" CM functionalities detailed above:

Key generation

The CM can invoke the extended CM:

to generate RSA key pairs (2048, 3072, 4096 bits) for end users,

the security attributes of the newly generated keys have restrictive default values,

the end user's RSA key pairs can be generated only in a non-distributed way.

Binding of a set of attributes to the key

Same as in case of the CM.

Key usage

Initial authorisation, re-authorisation, protection of the authorisation data, blockin/unblocking key: same as in case of the CM:

Supported cryptographic operations and algorithms:

Key destruction

The CM can invoke the extended CM:

to delete a RSA key pair (with physically overwriting)

cryptographic operations	cryptographic algorithms	cryptographic key sizes	applicable standards	supported operations
creation of digital signatures and seals	RSA	2048, 3072, 4096 bits	[TS 119312], [PKCS #1], [FIPS 186-4]	local signing, remote server signing
verification of digital signatures and seals	RSA	2048, 3072, 4096 bits	[TS 119312], [PKCS #1], [FIPS 186-4]	protection data

Table 1.3 Supported cryptographic operations and algorithms in case of extended CM

Random numbers needed by the SAM functionality for use as keys, in protocols or seed data for another random number generator that is used for these purposes always are generated by MPCMd (and not by an external CM).

1.4.2.2 SAM functionality

Roles and available functions

The SAM (i.e. SAM functionality of the drQSCD) maintains the following roles:

- Privileged User, who can perform SAM specific operations, through a local console or the externally available SAMAPI, including the following:
 - Create_New_Signer (creating a new account with security attributes for a Signer),
 - Signer_Maintenance (e.g. deleting a Key_Id from the Signer's account),
 - Create_New_Privileged_User (creating a new account with security attributes for a Privileged User). Creating the initial (first) Privileged User requires entering an installation code,
 - SAM_Maintenance (creating and modifying the SAM configuration data record and SAM configuration file),
 - Backup and Restore functions (Restore function is under dual control),
 - Signer Key Pair Generation (have the CM generate a new RSA key pair and assigning it to a Signer's account).
- Signer, who communicates remotely with the SAM (invoking different SAP commands),

and is able to perform the following operations:

- Signer Key Pair Generation Request (requesting a new RSA key pair generation and assigning it to his/her account),
- ChKeyPwd (establishing or modifies the key Authorisation Data for his/her key),
- Signing (utilizing his/her signing key in the CM, transmitting the required data, including the unique user ID, two different authentication factors, the key ID, the key Authorisation Data and one or more DTBS/R),
- Signer_Maintenance (deleting a Key_Id from his/her account and querying the security attributes of his/her account).

Authentication

For the Privileged Users, the SAM uses the same identification and authentication method as the CM: a unique user identifier and a password. For the Signers, the SAM requires two different authentication factors: a password (knowledge-based factor) and a TOTP (possession-based factor).

Cryptographic Support

The SAM does not perform cryptographic operations for its users: especially it does not generate/store/destroy, export/import, backup/restore, or use user key.

The SAM invokes the internal CM (or the external CM if configured, see 1.3.3.1 for details) with appropriate parameters whenever a cryptographic operation for the Signer is required.

The SAM uses different infrastructural keys to protect its stored files and database records, and data transmitted or received via communication channels.

Audit

The SAM audits all security related events. The audit records do not include any data which allow to retrieve sensitive data.

The SAM's audit functionality is the same as the CM's.

Trusted communication

The SAM implements and enforces:

- a secure channel based on TLS protocol, for communication with Privileged Users (through the SSA),
- a secure channel based on SSH protocol, for communication with Privileged Users (using the console command interface in the provided limited shell),
- a secure channel based on the proprietary SAP protocol,
- a direct channel for communication with Privileged Users (using the console command interface with a physical keyboard).

The internal communication among different SAM parts (among MPCAs) is also protected by TLS protocol.

The communication between SAM and Signer based on a proprietary Signature Activation Protocol. The SAP is protected against replay, bypass and forgery attack, using a nonce, a time stamp and a shared secret. The SAP provides confidentiality and integrity protection for all transmitted data, including the authentication and authorization data and DTBS/R(s).

Using the SAM functionality is optional: the SAM functionality of the drQSCD can also be performed by an External Client Application, using CM APIs (see Figure 1.1).

1.4.2.3 MPC functionality

In case of multi-party configuration, the drQSCD consists of three separate TOE parts (MPCAs) to operate as a logical whole in order to fulfill the requirements of this Security Target. This security function based on the distributed structure of the drQSCD ensures the following:

- Distributed cryptography,
- Secret sharing,
- Consistency protection,
- Fault tolerance.

Distributed cryptography

Generation of the RSA key pairs (and the pre-generated primes for them) for Key Users is not performed in a single MPCA, but in a distributed way. The three MPCAs jointly generate the RSA key pairs so that at the end of the generation:

- the public RSA key part is publicly known, but
- none of the MPCAs holds the whole private RSA key part, only a share of it.

Similarly, the three MPCAs jointly create the digital signatures or decrypt the encrypted messages, using a multi-step signing/decrypting method. Each MPCA computes a partial cryptographic operation with own RSA private key share so that at the end of the operation:

- the result is a standard digital signature (or a decrypted message) in accordance with RSA cryptographic algorithm,
- after signature creation (or message decryption) the shares of the private RSA key remain secret, none of the MPCAs revealed its private RSA shares to the other MPCAs.

The Key Users can interact with any MPCA (permitted by the configuration of the IT environment, eg. firewall rules) through the externally available APIs. The distributed operation of the drQSCD and internal communication among the MPCAs (in order to synchronize their databases) takes place behind the scenes.

Secret sharing

Based on distributed RSA key pairs generation and distributed cryptographic operation, the drQSCD achieves a new guarantee for ensuring the sole control of Key User's private keys: a single MPCA never knows (neither processes, nor stores) the whole private key.

Authentication of the end users is also performed in a distributed way, the three MPCAs jointly authenticate the end users. The three MPCAs store shared values for password and TOTP secrets.

Consistency protection

The drQSCD ensures that TSF data are consistent when they are replicated between TOE parts (MPCAs). When MPCAs are disconnected, the drQSCD ensures the consistency of the replicated TSF data upon reconnection before processing requests for any secure relevant management or user function. This security function is based on the nested transactions capability of the used database engine (LMDB).

Fault tolerance

In case of multi-party configuration, the drQSCD ensures a fault tolerance capability: if one of the three MPCAs becomes dysfunctional (a result of a fatal error or a network unavailability) the other

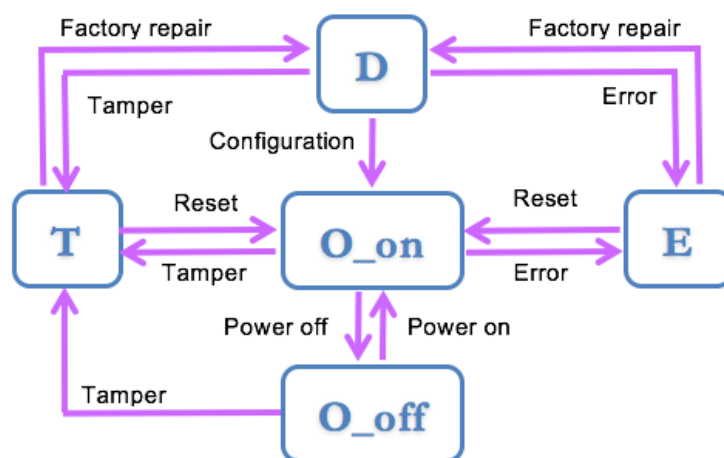
two MPCAs can ensure a limited functionality.
The available functions in this case are:

- the following distributed cryptographic services:
 - RSA signature creation,
 - RSA decryption.
- the following non-distributed cryptographic services:
 - RSA/ECDSA signature creation,
 - RSA/ECDSA signature verification,
 - Random number generation,
 - RSA encryption/decryption,
 - AES and 3DES encryption/decryption,
 - Hybrid (RSA, AES) and (RSA, 3DES) file encryption,
 - Cryptographic hash function,
 - Keyed-hash,
 - Key derivation,
 - TOTP verification,
 - Cipher-based message authentication code operation,
 - ECDH key exchange,
 - Identification and authentication,
 - Audit record protection.

1.4.2.4 States and lifecycle stages of the drQSCD

The 1.6. Figure illustrates the different states of an MPCA: Delivered (D), Operational-power_on (O_on), Operational-power_off (O_off), Error (E) and Tampered (T).

The supplier (developer/manufacturer) delivers the drQSCD (i. e. the one or the three MPCAs) to the customer in **Delivered state**. In this state, all software and hardware components of the MPCA(s) are installed, pre-configured and initialized. The physical enclosure is closed, and all MPCAs assure active tamper detecting and tamper resistance functionalities. In this state users cannot perform any functions of the drQSCD described in 1.3.3 and 1.4.2.



1.6. Figure: Diagram of the different states and state transitions of an MPCA

Powering off an MPCA triggers the transition from Operational-power_on state to **Operational-power_off state**, just like powering on launches the transition from Operational-power_off state to Operational-power_on state.

Detecting a fatal error (according to FPT_FLS.1) triggers the transition from Operational-power_on states to **Error state**. The Error state indicates an appliance malfunction that requires a security log analysis (to determine the reason of the error) and then resetting or repairing of the MPCA.

Detecting a tampering triggers the transition from Operational-power_off and Operational-power_on states to **Tampered state**. The Tamper state indicates the detection of a physical tampering that requires a deep and wide investigation (including security log analysis) to determine whether an error or a tampering has occurred. Depending on the conclusions, the result could be a resetting, a restoring or a repairing.

In Error and Tampered states users cannot perform any functions of the drQSCD, except that the Administrator can try to export the local audit and Errorlog file.

1.4.2.4.1 In the case of multi-party configuration:

If all three MPCAs are in Operational-power_on state, users can activate all functions of the drQSCD.

If two of the three MPCAs are in Operational-power_on state, users can activate the limited functionality of the drQSCD, which contains almost all functions, except management and key generation functions (see “Fault tolerance” above).

In case of only one MPCA is in Operational-power_on state, only the non-distributed end user services function.

1.4.2.4.2 In the case of standalone configuration:

If the only MPCA is in Operational-power_on state, users can activate all functions of the drQSCD.

1.4.3 Features and Functions not included in the TOE Evaluation

The drQSCD is capable of a variety of functions and configurations which are not covered by the PPs that this ST claims conformance to. Although the TOE is capable of these functionalities, the following features have not been examined within the framework of this evaluation:

- building up the system from any number of identical MPCAs ($n= 2, 4, 5, \dots$),
- using any t-out-of-n combination with the Threshold Signature RSA-typed Scheme (where private RSA key is shared among the n participating parties and at least t parties are required for creating a signature, where $t < n$),
- features and functions of an LCA other than the SAM,
- distributed authentication,
- multi owner single key,
- trusted update,
- non FIPS mode

2. Conformance claims

2.1 CC conformance claim

This Security Target claims to be Common Criteria Part 2 extended and Common Criteria Part 3 conformant and written according to the Common Criteria version 3.1 R4 [CC1], [CC2] and [CC3].

2.2 PP claim

This Security Target conforms to

- Protection Profile [EN 419221-5] (PP for Cryptographic Module for Trust Services) and
- Protection Profile [EN 419241-2] (PP for QSCD for Server Signing).

Both PPs require strict conformance.

2.3 Package claim

This ST conforms to assurance package EAL4 augmented by AVA_VAN.5 and ALC_FLR.3 defined in [CC3].

2.4 Conformance rationale

This ST claims strict conformance to Protection Profiles [EN 419221-5] and [EN 419241-2].

[EN 419221-5] defines the security requirements for cryptographic modules which is intended to be suitable for use by trust service providers supporting electronic signature and electronic sealing operations, certificate issuance and revocation, time stamp operations, and authentication services, as identified in [eIDAS].

[EN 419241-2] defines the security requirements to reach compliance with Annex II of [eIDAS] assuming use of a cryptographic module conforming to [EN 419221-5].

Consequently, being conformant to [EN 419221-5] and [EN 419241-2] at the same time guarantees the compliance with Annex II of [eIDAS] (REQUIREMENTS FOR QUALIFIED ELECTRONIC SIGNATURE CREATION DEVICES).

PPs [EN 419221-5] and [EN 419241-2] require strict conformance of the ST claiming conformance to these PPs.

The TOE (drQSCD) type covers the TOE types of the PPs [EN 419221-5] and [EN 419241-2]:

- The SAM module is a software component, which implements the Signature Activation Protocol (SAP).
- The SAM module deployed in a Cryptographic Module (CM).
- Together the SAM and CM are a QSCD.

To demonstrate that strict conformance is met, this rationale shows followings (see: [CC1], 287):

(1) The ST shall contain all threats of the PPs and may specify additional threats.

The Table 2.1 demonstrates that this ST contains all threats of the PPs [EN 419221-5] and [EN 419241-2], and specifies additional threats.

Threat	This ST	[EN 419 221-5]	[EN 419 241-2]
T.KeyDisclose	+	+	-
T.KeyDerive	+	+	-
T.KeyMod	+	+	-
T.KeyMisuse	+	+	-
T.KeyOveruse	+	+	-
T.DataDisclose	+	+	-
T.DataMod	+	+	-
T.Malfunction	+	+	-
T.ENROLMENT_SIGNER_IMPERSONATION	+	-	+
T.ENROLMENT_SIGNER_AUTHENTICATION_DATA_DISCLOSED	+	-	+
T.SVD_FORGERY	+	-	+
T.ADMIN_IMPERSONATION	+	-	+
T.MAINTENANCE_AUTHENTICATION_DISCLOSE	+	-	+
T.AUTHENTICATION_SIGNER_IMPERSONATION	+	-	+
T.SIGNER_AUTHENTICATION_DATA_MODIFIED	+	-	+
T.SAP_BYPASS	+	-	+
T.SAP_REPLAY	+	-	+
T.SAD_FORGERY	+	-	+
T.SIGNATURE_REQUEST_DISCLOSURE	+	-	+
T.DTBSR_FORGERY	+	-	+
T.SIGNATURE_FORGERY	+	-	+
T.PRIVILEGED_USER_INSERTION	+	-	+
T.REFERENCE_PRIVILEGED_USER_AUTHENTICATION_DATA_MODIFICATION	+	-	+
T.AUTHORISATION_DATA_UPDATE	+	-	+
T.AUTHORISATION_DATA_DISCLOSE	+	-	+
T.CONTEXT_ALTERATION	+	-	+
T.AUDIT_ALTERATION	+	-	+
T.RANDOM	+	-	+
T.Inconsistency	+	-	-
T.Intercept	+	-	-
T.Breakdown	+	-	-

Table 2.1 Threats

(2) The ST shall contain all OSPs of the PPs and may specify additional OSPs.

The Table 2.2 demonstrates that the OSPs in this ST are a superset to the OSPs in the PPs to which conformance is claimed.

Organizational Security Policy	This ST	[EN 419221-5]	[EN 419241-2]
P.Algorithms	+	+	-
P.KeyControl	+	+	-
P.RNG	+	+	-
P.Audit	+	+	-
P.RANDOM	+	+	+ ¹
P.CRYPTO	+	-	+ ²
P.BACKUP	+	-	-

Table 2.2 Organizational Security Policies

- (3) The ST shall contain all assumptions as defined in the PPs, with two possible exceptions:
- an assumption (or a part of an assumption) specified in the PP may be omitted from the ST, if all security objectives for the operational environment defined in the PP addressing this assumption (or this part of an assumption) are replaced by security objectives for the TOE in the ST;
 - a new assumption may be added in the ST to the set of assumptions defined in the PP, if this new assumption does not mitigate a threat (or part of a threat) meant to be addressed by security objectives for the TOE in the PP and if this assumption doesn't fulfil an OSP (or a part of an OSP) meant to be addressed by security objectives for the TOE in the PP;

The Table 2.3 demonstrates that the assumptions in this ST are identical to the assumptions in the PPs to which conformance is claimed.

Assumption	This ST	[EN 419221-5]	[EN 419241-2]
A.ExternalData	+	+	-
A.Env	+	+	-
A.DataContext	+	+	-
A.UAuth	+	+	-
A.AuditSupport	+	+	-
A.AppSupport	+	+	-
A.PRIVILEGED_USER	+	-	+
A.SIGNER_ENROLMENT	+	-	+
A.SIGNER_AUTHENTICATION_DATA_PROTECTION	+	-	+
A.SIGNER_DEVICE	+	-	+
A.CA	+	-	+
A.ACCESS_PROTECTED	+	-	+
A.SEC_REQ	+	-	+

Table 2.3. Assumptions

- (4) The ST shall contain all security objectives for the TOE of the PPs but may specify additional

¹ This Organizational Security Policy is covered by P.RNG (OSP for CM)

² P.CRYPTO is an OSP from [EN 419241-2]. Since the SAM is implemented as a local application within the same physical boundary as the CM defined in [EN 419221-5] then objective OT.Algorithm enforces the P.CRYPTO (instead of the objective for the operational environment OE.CRYPTOMODULE_CERTIFIED).

security objectives for the TOE.

Table 2.4 demonstrates that this ST contains all security objectives for the TOE of the PPs [EN 419221-5] and [EN 419241-2], and specifies four additional security objectives for the TOE.

Security objectives for the TOE	This ST	[EN 419 221-5]	[EN 419 241-2]
OT.PlainKeyConf	+	+	-
OT.Algorithms	+	+	-
OT.KeyIntegrity	+	+	-
OT.Auth	+	+	-
OT.KeyUseConstraint	+	+	-
OT.KeyUseScope	+	+	-
OT.DataConf	+	+	-
OT.DataMod	+	+	-
OT.ImportExport	+	+	-
OT.Backup	+	+	-
OT.RNG	+	+	-
OT.TamperDetect	+	+	-
OT.FailureDetect	+	+	-
OT.Audit	+	+	-
OT.SIGNER_PROTECTION	+	-	+
OT.REFERENCE_SIGNER_AUTHENTICATION_DATA	+	-	+
OT.SIGNER_KEY_PAIR_GENERATION	+	-	+
OT.SVD	+	-	+
OT.PRIVILEGED_USER_MANAGEMENT	+	-	+
OT.PRIVILEGED_USER_AUTHENTICATION	+	-	+
OT.PRIVILEGED_USER_PROTECTION	+	-	+
OT.SIGNER_MANAGEMENT	+	-	+
OT.SAD_VERIFICATION	+	-	+
OT.SAP	+	-	+
OT.SIGNATURE_AUTHENTICATION_DATA_PROTECTION	+	-	+
OT.DTBSR_INTEGRITY	+	-	+
OT.SIGNATURE_INTEGRITY	+	-	+
OT.RANDOM	+	-	+ ³
OT.SYSTEM_PROTECTION	+	-	+
OT.AUDIT_PROTECTION	+	-	+
OT.SAM_Backup	+	-	-
OT.TSF_Consistency	+	-	-

³ This security objective is covered by OT.RNG (security objective for CM).

Security objectives for the TOE	This ST	[EN 419 221-5]	[EN 419 241-2]
OT.PROT_Comm	+	-	-
OT.Availability	+	-	-

Table 2.4 Security objectives for the TOE

(5) The ST shall contain all security objectives for the operational environment as defined in the PP with two exceptions:

- may specify that certain objectives for the operational environment in the PP are security objectives for the TOE in the ST. This is called re-assigning a security objective. If a security objective is re-assigned to the TOE, the security objectives rationale has to make clear which assumption or part of the assumption may not be necessary anymore;
- may specify additional objectives for the operational environment, if these new objectives do not mitigate a threat (or part of a threat) meant to be addressed by security objectives of the TOE in the PP and if these new objectives do not fulfil an OSP (or a part of an OSP) meant to be addressed by security objectives of the TOE in the PP.

Table 2.5 shows that the security objectives for the operational environment in this ST include all security objectives for the operational environment of the PPs [EN 419221-5] and [EN 419241-2].

Security objectives for the operational environment	This ST	[EN 419 221-5]	[EN 419 241-2]
OE.ExternalData	+	+	-
OE.Env	+	+	+
OE.DataContext	+	+	-
OE.Uauth	+	+	-
OE.AuditSupport	+	+	-
OE.AppSupport	+	+	-
OE.SVD_AUTHENTICITY	+	-	+
OE.CA_REQUEST_CERTIFICATE	+	-	+
OE.CERTIFICATE_VERFICATION	+	-	+
OE.SIGNER_AUTHENTICATION_DATA	+	-	+
OE.DELEGATED_AUTHENTICATION	+	-	+
OE.DEVICE	+	-	+
OE.CRYPTOMODULE_CERTIFIED	+	-	+ ⁴
OE.TW4S_CONFORMANT	+	-	+

Table 2.5 Security objectives for the operational environment

(6) The ST shall contain all security functional requirements (SFRs) and security assurance requirements (SARs) in the PP, but may claim additional or hierarchically stronger SFRs and SARs.

⁴ OE.CRYPTOMODULE_CERTIFIED requirement for the SAM is accomplished because this ST claims to be strictly conformant also to the PP [EN 419 221-5]. (see Application Note 36)

The SFRs specified in this ST include:

- all SFRs specified in [EN 419221-5],
- all SFRs specified in [EN 419241-2], except for the following SFRs:
 - FCS_RNG.1. (Since the SAM is implemented as a local application within the same physical boundary as the CM, and CM includes FCS_RNG.1, according to the Application Note 40 in [EN 419241-2]) it is acceptable).
 - FPT_PHP.1 and FPT_PHP.3 (The SAM is implemented as a local application within the same physical boundary as the CM, and the CM already provides a tamper-resistant environment. According to the Application Note 67 in [EN 419241-2]) it is acceptable.)

Additional SFRs of this ST ensure:

- a separate backup and restore functions for SAM local client application (FDP_ACC.1/SAM Backup, FDP_ACF.1/SAM Backup)
- trusted path (a secure channel based on SSH protocol), for communication with Administrators, using the console command interface (FTP_TRP.1/Admin),
- mutual trusted acknowledgement between separate TOE parts (FPT_SSP.2),
- the consistency of TSF data replicated between separate TOE parts (FPT_TRC.1),
- the protection of communication channels between separate TOE parts (FPT_ITT.1),
- a fault tolerance capability if one of the MPCAs becomes dysfunctional (FRU_FLT.1)

Additional SFR iterations of this ST are consequences of [EN 419221-5] PP's expectations (see [EN 419221-5] Application Notes 12 and 14):

- FCS_CKM.1/RSA_d_key_gen
- FCS_CKM.1/RSA_nd_key_gen
- FCS_CKM.1/AES_key_gen
- FCS_CKM.1/3DES_key_gen
- FCS_CKM.1/EC_key_gen
- FCS_CKM.1/TLS_key_gen
- FCS_CKM.1/TOTP_shared secret
- FCS_COP.1/RSA_d_digsig
- FCS_COP.1/RSA_nd_digsig
- FCS_COP.1/RSA_validate_digsig
- FCS_COP.1/hash
- FCS_COP.1/keyed-hash
- FCS_COP.1/AES_enc_dec
- FCS_COP.1/3DES_enc_dec
- FCS_COP.1/RSA_d_dec
- FCS_COP.1/RSA_nd_dec
- FCS_COP.1/RSA_nd_enc
- FCS_COP.1/key_derivation
- FCS_COP.1/TOTP_verification
- FCS_COP.1/cmac operation
- FCS_COP.1/ECDSA
- FCS_COP.1/ECDH
- FCS_CKM.1/invoke_CM:RSA_d_key_gen
- FCS_CKM.1/SAM_RSA_nd_key_gen

- FCS_CKM.1/SAM_AES_key_gen
- FCS_CKM.1/SAM_TLS_key_gen
- FCS_CKM.1/invoke_CM:TOTP_shared secret
- FCS_COP.1/invoke_CM:RSA_d_digsig
- FCS_COP.1/SAM_RSA_nd_digsig
- FCS_COP.1/SAM_RSA_validate_digsig
- FCS_COP.1/SAM_hash
- FCS_COP.1/SAM_keyed-hash
- FCS_COP.1/SAM_AES_enc_dec
- FCS_COP.1/invoke_CM:RSA_d_dec
- FCS_COP.1/SAM_RSA_nd_dec
- FCS_COP.1/SAM_RSA_nd_enc
- FCS_COP.1/SAM_key_derivation
- FCS_COP.1/SAM_TOTP_verification

Additional SFR iterations of this ST are consequence of [EN 419241-2] PP's expectations (see [EN 419221-5] Application Notes 18 and 19):

- FIA_AFL.1/CM_authentication and FIA_AFL.1/CM_authorisation instead of FIA_AFL.1
- FIA_UAU.6.1/AKeyAuth and FIA_UAU.6.1/GenKeyAuth instead of FIA_UAU.6.1/KeyAuth

Several SFRs are in both PPs (e.g. FAU_GEN.1, FAU_GEN.2, FIA_UAU.1). This ST distinguishes these SFRs using */CM and */SAM (e.g.: FAU_GEN.1/CM and FAU_GEN.1/SAM)

The SARs specified in this ST include all SARs of [EN 419221-5] and [EN 419241-2]:

- EAL4 augmented by AVA_VAN.5.

Additional SAR of this ST is:

- ALC_FLR.3

Therefore, this ST shows strict conformance to [EN 419221-5] and [EN 419241-2].

3. Security Problem Definition

3.1 General

CC defines assets as entities that the owner of the TOE presumably places value upon. The term “asset” is used to describe the threats in the TOE operational environment.

3.1.1 Assets of the Cryptographic Module (CM)

R.SecretKey: secret keys used in symmetric cryptographic functions and private keys used in asymmetric cryptographic functions, managed and used by the CM in support of the cryptographic services that it offers. This includes user keys, owned and used by specific users, and support keys used in the implementation and operation of the CM. The asset also includes copies of such keys made for external storage and/or backup purposes. The confidentiality and integrity of these keys must be protected.

R.PubKey: public keys managed and used by the CM in support of the cryptographic services that it offers (including user keys and support keys). This asset includes copies of keys made for external storage and/or backup purposes. The integrity of these keys must be protected.

R.ClientData: data supplied by a client for use in a cryptographic function. Depending on the context, this data may require confidentiality and/or integrity protection.

R.RAD: reference data held by the CM that is used to authenticate an administrator (hence to control access to privileged administrator functions such as CM backup, export of audit data) or to authorise a user for access to secret and private keys (R.SecretKey). This asset includes copies of authentication/authorisation data made for external storage and/or backup purposes. The integrity of the RAD must be protected; its confidentiality must also be protected unless the authentication method used means that the RAD is public data (such as a public key).

3.1.2 Assets of the Signature Activation Module (SAM)

R.Signing_Key_Id: The signing key is the private key of an asymmetric key pair used to create a digital signature under the signer’s control. The signing key can only be used by the CM. The SAM uses the asset R.Signing_Key_Id, which identifies a signing key in the CM. The binding of the R.Signing_Key_Id with R.Signer shall be protected in integrity.

Application Note 1 (Application Note 1 from EN 419241-2: Applied)

The integrity and confidentiality of the signing key value is the responsibility of the CM, and the SAM shall ensure that only the signer can use the signing key under his sole control.

R.Authorisation_Data: is data used by the SAM to activate a signing key in the CM. The signing key is identified by R.Signing_Key_Id. It shall be protected in integrity and confidentiality.

Application Note 2

In the case of the drQSCD the SAM derives the R.Authorisation_Data from the SAD, and hands over to the CM without holding it.

R.SVD: signature verification data is the public part, associated with the signing key, to perform digital signature verification. The R.SVD shall be protected in integrity.

The SAM uses the CM for signing key pair generation. As part of the signing key pair generation,

CM provides the SAM with R.Signing_Key_Id and R.SVD. The SAM provides the R.SVD to the SSA for further handling for the key pair to be certified.

R.DTBS/R: set of data which is transmitted to the SAM for digital signature creation on behalf of the signer. The DTBS/R(s) is transmitted to the SAM. The R.DTBS/R shall be protected in integrity and confidentiality. The transmission of the DTBS/R(s) to the SAM shall require the sending party - Signer or Privileged User - to be authenticated.

Application Note 3

The confidentiality of the R.DTBS/R is not required by [eIDAS], but the drQSCD supports this.

R.SAD: signature activation data is a set of data involved in the signature activation protocol which activates the signature creation data to create a digital signature under the signer's control. The R.SAD must combine:

- The signer's strong authentication as specified in [EN 419241-1]
- If a particular key is not implied (e.g a default or one-time key) a unique reference to R.Signing_Key_Id. .
- A given R.DTBS/R.

The R.SAD shall be protected in integrity and confidentiality.

Application Note 4

In case of the drQSCD the SAD is a combination of two signer's authentication factors, a unique key identifier, a given R.DTBS/R or a set of DTBS/Rs and the key's authorisation data.

The authentication factors and the authorisation data shall be protected in confidentiality.

R.Signature: is the result of the signature operation and is a digital signature value. R.Signature is created on the R.DTBS/R using R.Signing_Key_Id by the CM under the signer's control as part of the SAP. The R.Signature shall be protected in integrity. The R.Signature can be verified outside SAM using R.SVD.

R.Audit: is audit records containing logs of events requiring to be audited. The logs are produced by the SAM and stored externally. The R.Audit shall be protected in integrity.

R.Signer: is a SAM subject containing the set of data that uniquely identifies the signer within the SAM. The R.Signer shall be protected in integrity and in confidentiality.

Application Note 5 (Application Note 8 from EN 419241-2: Applied)

The R.Signer includes references to zero, one or several R.Signing_Key_Ids and R.SVD.

Application Note 6

In case of the drQSCD the R.Signer does not require encrypted data then the confidentiality requirement is considered fulfilled.

R.Reference_Signer_Authentication_Data: is the set of data used by SAM to authenticate the signer. It contains all the data (e.g. OTP device serial number, phone numbers, protocol settings etc.) and keys (e.g. device keys, verification keys etc.) used by the SAM to authenticate the signer. This may include a SVD or certificate to verify an assertion provided as a result of delegated authentication. The R.Reference_Signer_Authentication_Data shall be protected in integrity and confidentiality.

Application Note 7

In the drQSCD the Reference_Signer_Authentication_Data contains (among other data) two signer's authentication factors (a password and a shared secret).

R.TSF_DATA: is the set of SAM configuration data used to operate the SAM. It shall be protected in integrity.

R.Privileged_User: is a SAM subject containing the set of data that uniquely identifies a Privileged User within the SAM. It shall be protected in integrity.

R.Reference_Privileged_User_Authentication_Data: is the set of data used by the SAM to authenticate the Privileged User. It shall be protected in integrity and confidentiality.

Application Note 8

In the drQSCD the Reference_Signer_Authentication_Data contains (among other data) two Privileged User's authentication factors (a password and a shared secret).

R.Random: is random secrets, e.g. keys, used by the SAM to operate and communicate with external parties. It shall be protected in integrity and confidentiality.

3.1.3 Additional assets

There is one additional asset in relation to the distributed structure of the TOE:

R.MPCA_Id: The drQSCD consists of 3 identical parts (Multi-Party Cryptographic Appliance or MPCA). The R.MPCA_Id is the identifier of the MPCA. The binding of the R.MPCA_Id with MPCA shall be protected in integrity.

3.1.4 Subjects of the Cryptographic Module (CM)

S.Application: a client application, or process acting on behalf of a client application and that communicates with the CM over a local or external interface. Client applications will in some situations be acting directly on behalf of end users (see S.User).

Application Note 9

The drQSCD supports two types of client applications:

- the local client applications (e.g. SAM module) that communicates locally with the CM, (i.e. within the same hardware appliance)
- the external client applications that communicate remotely with the CM over a secure channel

S.User: an end user of the CM who can be associated with secret keys and authentication /authorisation data held by the CM. An end user communicates with the CM by using a client application (S.Application).

S.Admin: an administrator of the CM. Administrators are responsible for performing the CM initialisation, TOE configuration and other TOE administrative functions.

Each type of subject may include many individual members, for example a single CM will generally have many users who are all included as members of the type S.User.

3.1.5 Subjects of the Signature Activation Module (SAM)

Signer: which is the natural or legal person who uses the SAM through the SAP where he provides the SAD and can sign DTBS/R(s) using his signing key in the CM.

Privileged User: which performs the administrative functions of the SAM.

Application Note 10 (Application Note 14, 15 and 16 from EN 419241-2: Applied)

(14) The list of subjects described in [EN 419241-1] clause 6.2.1.2 SRG M.1.2 contains more roles as it covers the whole T4WS. This ST does not define more roles.

(15) The SSA plays a special role as it interacts directly with the TOE. Privileged Users can interact with the TOE directly or via the SSA. In case of the drQSCD Privileged Users can interact with the SAM directly (using USB interfaces for local console administration) and via the SSA (using network interfaces).

(16) The creation of signers, management of reference signer authentication data and signing key generation is expected to be carried out together with a registration authority (RA) providing a registration service using the SSA, as specified in e.g. [ETSI EN 319411-1].

3.1.6 Threat agents of the TOE

Threat agents: The attacker described in each of the threats is a subject who is not authorised for the relevant action, but who may present themselves as either a completely unknown user, or as one of the other defined subjects (the defined subjects in section 3.1.4 are according to the CM and in this case the attacker will not have access to the authentication or authorisation data for the subject).

3.2 Threats

3.2.1 Threats for the Cryptographic Module (CM)

T.KeyDisclose *Unauthorised disclosure of secret/private key*

An attacker obtains unauthorised access to the plaintext form of a secret key (R.SecretKey), enabling either direct reading of the key or other copying into a form that can be used by the attacker as though the key were their own. This access may be gained during generation, storage, import/export, use of the key, or backup if supported by the CM.

T.KeyDerive *Derivation of secret/private key*

An attacker derives a secret key (R.SecretKey) from publicly known data, such as the corresponding public key or results of cryptographic functions using the key or any other data that is generally available outside the CM.

T.KeyMod *Unauthorised modification of a key*

An attacker makes an unauthorised modification to a secret or public key (R.SecretKey or R.PubKey) while it is stored in, or under the control of, the CM, including export and backups if supported. This includes replacement of a key as well as making changes to the value of a key, or changing its attributes such as required authorisation, usage constraints or identifier (changing the identifier to the identifier used for another key would allow unauthorised substitution of the original key with a key known to the attacker). The threat therefore includes the case where an attacker is able to break the binding between a key and its critical attributes⁵.

⁵ See OT.KeyIntegrity for further discussion of critical attributes of a key.

T.KeyMisuse *Misuse of a key*

An attacker uses the CM to make unauthorised use of a secret key (R.SecretKey) that is managed by the CM (including the unauthorised use of a secret key for a cryptographic function that is not permitted for that key⁶), without necessarily obtaining access to the value of the key.

T.KeyOveruse *Overuse of a key*

An attacker uses a key (R.SecretKey) that has been authorised for a specific use (e.g. to make a single signature) in other cryptographic functions that have not been authorised.

T.DataDisclose *Disclosure of sensitive client application data*

An attacker gains access to data that requires protection of confidentiality (R.ClientData, and possibly R.RAD) supplied by a client application during transmission to or from the CM or during transmission between physically separate parts of the CM.

T.DataMod *Unauthorised modification of client application data*

An attacker modifies data (R.ClientData such as DTBS/R, authentication/authorisation data, or a public key (R.PubKey)) supplied by a client application during transmission to the CM or during transmission between physically separate parts of the CM, so that the result returned by the CM (such as a signature or public key certificate) does not match the data intended by the originator of the request.

T.Malfunction *Malfunction of TOE hardware or software*

The CM may develop a fault that causes some other security property to be weakened or to fail. This may affect any of the assets and could result in any of the other threats being realised.

Particular causes of faults to be considered are:

- Environmental conditions (including temperature and power)
- Failures of critical TOE hardware components (including the RNG)
- Corruption of TOE software.

3.2.2 Threats for the Signature Activation Module (SAM)

3.2.2.1 Enrolment

The threats during enrolment are:

T.ENROLMENT_SIGNER_IMPERSONATION

An attacker impersonates signer during enrolment. As examples it could be:

- by transferring wrong R.Signer to SAM from RA
- by transferring wrong R.Reference_Signer_Authentication_Data to SAM from RA

The assets R.Signer and R.Reference_Signer_Authentication_Data are threatened.

Such impersonation may allow a potential incorrect signer authentication leading to unauthorised signature operation on behalf of signer.

T.ENROLMENT_SIGNER_AUTHENTICATION_DATA_DISCLOSED

(abbreviated as T.ENR_SIG_AUTH_DATA_DISCL)

An attacker is able to obtain whole or part of R.Reference_Signer_Authentication_Data during enrolment. This can be during generation, storage or transfer to the SAM or transfer between signer and SAM. As examples it could be:

⁶ This therefore means that the threat includes unauthorised use of a cryptographic function that makes use of a key.

- by reading the data
- by changing the data, e. g. to a known value

The asset R.Reference_Signer_Authentication_Data is threatened. Such data disclosure may allow a potential incorrect signer authentication leading to unauthorised signature operation on behalf of signer.

T.SVD_FORGERY

An attacker modifies the R.SVD during transmission to the RA or CA. This results in loss of R.SVD integrity in the binding to R.SVD to signing key and to R.Signer.

The asset R.SVD is threatened.

If the CA relies on the generation of the key pair controlled by the SAM as specified in [EN 319 411-1] clause 6.3.3 d) then an attacker can forge signatures masquerading as the signer.

Application Note 11 (Application Note 17 from EN 419241-2: Applied)

There should be a secure transport of R.SVD from SAM to RA or CA. The SAM is expected to produce a CSR (Certification Signing Request). If the registration services of the TSP issuing the certificate requires a “proof of possession or control of the private key” associated with the SVD, as specified in [EN 319 411-1] clause 6.3.1 a), this threat can be countered without any specific measures within the TOE.

3.2.2.2 Signer Management

T.ADMIN_IMPERSONATION

Attacker impersonates a Privileged User and updates R.Reference_Signer_Authentication_Data, R.Signing_Key_Id or R.SVD. The assets R.Reference_Signer_Authentication_Data, R.SVD and R.Signing_Key_Id are threatened. Such data modification may allow a potential incorrect signer authentication leading to unauthorised signature operation on behalf of signer.

T.MAINTENANCE_AUTHENTICATION_DISCLOSE

(abbreviated as T.MAINT_AUTH_DISCL)

Attacker discloses or changes (e. g. to a known value) R.Reference_Signer_Authentication_Data during update and is able to create a signature. The assets R.Reference_Signer_Authentication_Data and R.Signing_Key_Id are threatened. Such data disclosure may allow a potential incorrect signer authentication leading to unauthorised signature operation on behalf of signer.

3.2.2.3 Usage

This section describes threats for signature operation including authentication.

T.AUTHENTICATION_SIGNER_IMPERSONATION

(abbreviated as T.AUTH_SIG_IMPERS)

An attacker impersonates signer using forged R.Reference_Signer_Authentication_Data and transmits it to the SAM during SAP and uses it to sign the same or modified DTBS/R(s).

The assets R.Reference_Signer_Authentication_Data, R.SAD and R.Signing_Key_Id are threatened.

T.SIGNER_AUTHENTICATION_DATA_MODIFIED

(abbreviated as T.SIG_AUTH_DATA_MOD)

An attacker is able to modify R.Reference_Signer_Authentication_Data inside the SAM or during maintenance.

The asset R.Reference_Signer_Authentication_Data is threatened. Such data modification may allow a potential incorrect signer authentication leading to unauthorised signature operation on behalf of signer.

T.SAP_BYPASS

An attacker bypasses one or more steps in the SAP and is able to create a signature without the signer having authorised the operation. The asset R.SAD is threatened.

T.SAP_REPLAY

An attacker replays one or more steps of SAP and is able to create a signature without the signer having authorised the operation. The asset R.SAD is threatened.

T.SAD_FORGERY

An attacker forges or manipulates R.SAD during transfer in SAP and is able to create a signature without the signer having authorised the operation. The asset R.SAD is threatened.

T.SIGNATURE_REQUEST_DISCLOSURE

(abbreviated as T.SIGN_REQ_DISCL)

An attacker obtains knowledge of R.DTBS/R or R.SAD during transfer to SAM. The assets R.DTBS/R and R.SAD are threatened.

T.DTBSR_FORGERY

An attacker modifies R.DTBS/R during transfer to SAM and is able to create a signature on this modified R.DTBS/R without the signer having authorised the operation on this R.DTBS/R. The asset R.DTBS/R is threatened.

T.SIGNATURE_FORGERY

An attacker modifies R.Signature during or after creation or during transfer outside the SAM. The asset R.Signature is threatened.

Application Note 12 (Application Note 19 from EN 419241-2: Applied)

The modification of a signature can be detected by the SSA or any relying party by validation of the signature.

3.2.2.4 System

T.PRIVILEGED_USER_INSERTION

An attacker is able to create R.Privileged_User including R.Reference_Privileged_User_Authentication_Data and is able to log on to the SAM as a Privileged User. The assets R.Privileged_User and R.Reference_Privileged_User_Authentication_Data are threatened.

T.REFERENCE_PRIVILEGED_USER_AUTHENTICATION_DATA_MODIFICATION

(abbreviated as T.REF_PRIV_U_AUTH_DATA_MOD)

An attacker modifies R.Reference_Privileged_User_Authentication_Data and is able to log on to the SAM as the Privileged User. The asset R.Reference_Privileged_User_Authentication_Data is threatened.

T.AUTHORISATION_DATA_UPDATE

Attacker impersonates Privileged User and updates R.Authorisation_Data and may be able to activate a signing key. The assets R.Authorisation_Data and R.Signing_Key_Id are threatened.

Application Note 13 (Application Note 20 from EN 419241-2: Applied)

In some applications, it may be sufficient for an attacker with access to R.Authorisation_Data and R.Signing_Key_Id to activate the signing key within the Cryptographic Module. Since the R.Signing_Key_Id is only to be protected in integrity and not in confidentiality, access to R.Authorisation_Data should only be allowed for authorised operators.

Application Note 14

In the case of the drQSCD Privileged User can not update R.Authorisation_Data, then this threat is not relevant.

T.AUTHORISATION_DATA_DISCLOSE

(abbreviated as AUTHORISATION_DATA_DISCL)

Attacker discloses R.Authorisation_Data during update and is able to activate a signing key. The assets R.Authorisation_Data and R.Signing_Key_Id are threatened.

T.CONTEXT_ALTERATION

An attacker modifies system configuration R.TSF_DATA to perform an unauthorised operation. The assets R.Signing_Key_Id, R.SVD, R.SAD, R.Reference_Signer_Authentication_Data and R.TSF_DATA are threatened.

T.AUDIT_ALTERATION

An attacker modifies system audit and is able hide trace of SAM modification or usage. The assets R.SVD, R.SAD, R.Signer, R.Reference_Signer_Authentication_Data, R.DTBS/R, R.Signature, R.AUDIT and R.TSF_DATA are threatened.

T.RANDOM

An attacker is able to guess system secrets R.RANDOM and able to create or modify TOE objects or participate in communication with external systems.

3.2.3 Additional threats

There are three additional threats for the multi-party configuration of the TOE:

T.Inconsistency *Inconsistency of TSF data*

The TSF data may become inconsistent if the internal channel between parts of the TOE (MPCAs) becomes inoperative (e.g. internal TOE network connections are broken or any MPCA becomes disabled).

T.Intercept *Intercept of the internal communication*

An attacker may acquire access to and/or modify sensitive information (R.SecretKey, R.ClientData, R.RAD, R.Authorisation_Data, R.SAD, R.Random) while these are being transmitted between TOE parts (MPCAs).

T.Breakdown *Breakdown in one of the MPCAs*

The TOE may not provide normal service to users due to external attacks or a fatal error in one of the TOE parts.

3.3 Organizational Security Policies

The TOE shall comply with following Organizational Security Policies as security rules, procedures, practices, or guidelines imposed by an organization upon its operations.

3.3.1 Organizational Security Policies for the Cryptographic Module (CM)

P.Algorithms *Use of approved cryptographic algorithms*

The CM offers key generation functions and other cryptographic functions provided for users that are endorsed by recognised authorities as appropriate for use by TSPs.

Application Note 15 (Application Note 1 from EN 419221-5: Applied)

The relevant authorities and endorsements are determined by the context of the client applications that use the CM. For digital signatures within the European Union this is as indicated in [eIDAS] and an exemplary list of algorithms and parameters is given in [TS 119312] or [SOG-IS-Crypto].

P.KeyControl *Support for control of keys*

The life cycle of the CM and any secret keys that it manages (where such keys are associated with specific entities, such as the signature creation data associated with a signatory or the seal creation data associated with a seal creator⁷), shall be implemented in such a way that the secret keys can be reliably protected by the legitimate owner against use by others, and in such a way that the use of the secret keys by the CM can be confined to a set of authorised cryptographic functions.

Application Note 16 (Application Note 2 from EN 419221-5: Applied)

This policy is intended to ensure that the CM can be used for qualified electronic seals and qualified electronic signatures as in [eIDAS], but recognises that not all keys are used for such purposes. Therefore, although the CM must be able to support the necessary strong controls over keys in order to create such seals and signatures, not all keys need the same level and type of control.

P.RNG *Random Number Generation*

The CM is required to generate random numbers that meet a specified quality metric, for use by client applications. These random numbers shall be suitable for use as keys, authentication/authorisation data, or seed data for another random number generator that is used for these purposes.

P.Audit *Audit trail generation*

The CM is required to generate an audit trail of security-relevant events, recording the event details and the subject associated with the event.

Application Note 17 (Application Note 3 from EN 419221-5: Applied)

The CM is assumed to be part of a larger system that manages audit data. The CM therefore logs audit records, and it is assumed that these are collected, maintained and reviewed in the larger system. Hence there is no separate auditor role within the CM, but the role of System Auditor is assumed to exist in the larger system.

⁷ A seal creator may be a legal person (see [eIDAS]) rather than a natural person, and seal creation data may therefore be authorised for use by a number of natural persons, depending on the nature and requirements of the trust service provided.

3.3.2 Organizational Security Policies for the Signature Activation Module (SAM)

P.RANDOM

The SAM is required to generate random numbers that meet a specified quality metric. These random numbers shall be suitable for use as keys, authentication/authorisation data, or seed data for another random number generator that is used for these purposes.

Application Note 18

This Organizational Security Policy is covered by P.RNG (OSP for CM).

P.CRYPTO

The SAM shall only use algorithm, algorithm parameters and key lengths endorsed by recognized authorities as appropriate by TSPs. This includes generation of random numbers, signing key pairs and signatures as well as the integrity and confidentiality of SAM assets.

Application Note 19 (Application Note 21 from EN 419241-2: Applied)

For cryptographic algorithms within the European Union this is as indicated in [eIDAS] and an exemplary list of algorithms and parameters is given in [TS 119312] or [SOG-IS-Crypto].

Application Note 20

Since the SAM is implemented as a local application within the same physical boundary as the CM defined in [EN 419221-5] then objective OT.Algorithm enforces the P.CRYPTO (instead of the objective for the operational environment OE.CRYPTOMODULE_CERTIFIED).

P.BACKUP

The SAM is required to provide backup functionality. The backup process shall preserve the confidentiality and integrity of the data during creation, transmission, storage and restoration of the backup data

3.4 Assumptions

3.4.1 Assumptions for the Cryptographic Module (CM)

A.ExternalData *Protection of data outside CM control*

Where copies of data protected by the CM are managed outside of the CM, client applications and other entities must provide appropriate protection for that data to a level required by the application context and the risks in the deployment environment.

In particular, any backups of the CM and its data are maintained in a way that ensures appropriate controls over making backups, storing backup data, and using backup data to restore an operational CM. The number of sets of backup data does not exceed the minimum needed to ensure continuity of the TSP service. The ability to restore a CM to an operational state from backup data requires at least dual person control (i.e. the participation and approval of more than one authenticated administrator).

A.Env *Protected operating environment*

The CM operates in a protected environment that limits physical access to the CM to authorised Administrators. The CM software and hardware environment (including client applications) is installed maintained by Administrators in a secure state that mitigates against the specific risks applicable to the deployment environment.

A.DataContext *Appropriate use of CM functions*

Any client application using the cryptographic functions of the CM will ensure that the correct data are supplied in a secure manner (including any relevant requirements for authenticity, integrity and confidentiality). For example, when creating a digital signature over a DTBS the client application will ensure that the correct (authentic, unmodified) DTBS/R is supplied to the TOE, and will correctly and securely manage the signature received from the TOE; and when certifying a public key the client application will ensure that necessary checks are made to prove possession of the corresponding private key. The client application may make use of appropriate secure channels provided by the TOE to support these security requirements. Where required by the risks in the operational environment a suitable entity (possibly the client application) performs a check of the signature returned from the TOE, to confirm that it relates to the correct DTBS.

Client applications are also responsible for any required logging of the uses made of the TOE services, such as signing (or sealing) events.

Similar requirements apply in local use cases where no client application need be involved, but in which the CM and its user data (such as keys used for signatures) need to be configured in ways that will support the need for security requirements such as sole control of signing keys.

Appropriate procedures are defined for the initial creation of data and continuing operation of the CM according to the specific risks applicable to the deployment environment and the ways in which the CM is used.

A.AppSupport *Application security support*

Procedures to ensure the ongoing security of client applications and their data will be defined and followed in the environment, and reflected in use of the appropriate CM cryptographic functions and parameters, and appropriate management and administration actions on the CM. This includes, for example, any relevant policies on algorithms, key generation methods, key lengths, key access, key import/export, key usage limitations, key activation, cryptoperiods and key renewal, and key/certificate revocation.

A.UAuth *Authentication of application users*

Any client application using the cryptographic services of the CM will correctly and securely gather identification and authentication/authorisation data from its users and securely transfer it to the CM (protecting the confidentiality of the authentication/authorisation data as required) when required to authorise the use of CM assets and services.

A.AuditSupport *Audit data review*

The audit trail generated by the CM will be collected, maintained and reviewed by a System Auditor according to a defined audit procedure for the TSP.

Application Note 21 (Application Note 4 from EN 419221-5: Applied)

As noted for P.Audit in section 3.3.1 the CM is assumed to exist as part of a larger system and the System Auditor is a role within this larger system.

3.4.2 Assumptions for the Signature Activation Module (SAM)

A.PRIVILEGED_USER

It is assumed that all personnel administering the SAM are trusted, competent and possesses the resources and skills required for his tasks and is trained to conduct the activities he is responsible for.

A.SIGNER_ENROLMENT

The signer shall be enrolled and certificates managed in conformance with the regulations given in [eIDAS]. Guidance for how to implement an enrolment and certificate management system in conformance with [eIDAS] are given in e.g. [EN 319411-1] or for qualified certificate in e.g. [EN 319411-2].

A.SIGNER_AUTHENTICATION_DATA_PROTECTION (A.SIG_AUTH_DATA_PROT)

It is assumed that the signer will not disclose his authentication factors.

A.SIGNER_DEVICE

It is assumed that the device and SIC used by signer to interact with the SSA and the SAM is under the signer's control for the signature operation, i.e. protected against malicious code.

A.CA

It is assumed that the qualified TSP that issues qualified certificates is compliant with the requirements for TSP's as defined in [eIDAS].

A.ACCESS_PROTECTED

It is assumed that the SAM operates in a protected environment that limits physical access to the SAM to authorised Privileged Users. The SAM software and hardware environment (including client applications) is installed maintained by Privileged Users in a secure state that mitigates against the specific risks applicable to the deployment environment.

It is assumed that any audit generated by the SAM are only handled by authorised personal in a physical secured environment. The personal that carries these activities should act under established practices.

It is assumed that where copies of data protected by the SAM are managed outside of the SAM, client applications and other entities must provide appropriate protection for that data to a level required by the application context and the risks in the deployment environment.

Application Note 22

There are no copies of data protected by the SAM, managed outside the SAM.

A.AUTH_DATA

It is assumed that the SAP is designed in such a way that the activation of the signing key is under sole control of the signer with a high level of confidence. If SAD is received by the TOE, it must be assumed that the SAD was submitted under the full control of the signer by means that are in possession of the signer.

A.CRYPTO

It is assumed that the SAM shall only use algorithms, algorithm parameters and key lengths endorsed by recognized authorities as appropriate by TSPs. This includes generation of random numbers, signing key pairs and signatures as well as the integrity and confidentiality of SAM assets.

Application Note 23 (Application Note 22 from EN 419241-2: Applied)

For cryptographic algorithms within the European Union this is as indicated in [eIDAS] and an exemplary list of algorithms and parameters is given in [TS 119312] or [SOGIS].

A.TSP_AUDITED

It is assumed that the TSP deploying the SSA and SAM is a qualified TSP according to article 3 (20) of Regulation (EU) No 910/2014 [eIDAS] and audited to be compliant with the

A.SEC_REQ

It is assumed that the TSP establishes an operating environment according to the security requirements for SCAL2 defined in [EN 419241-1].

4 Security Objectives

This section identifies and defines the security objectives for the TOE and its environment. Security objectives reflect the stated intent and counter the identified threats, as well as comply with the identified organizational security policies and assumptions.

4.1 Security Objectives for the TOE

The following security objectives describe security functions to be provided by the TOE.

4.1.1 Security Objectives for the Cryptographic Module (CM)

OT.PlainKeyConf *Protection of confidentiality of plaintext secret keys*

The plaintext value of secret keys is not made available outside the CM (except where the key has been exported securely in the manner of OT.ImportExport). This includes protection of the keys during generation, storage (including external storage), and use in cryptographic functions, and means that even authorised users of the keys and administrators of the CM cannot directly access the plaintext value of a secret key.

OT.Algorithms *Use of approved cryptographic algorithms*

The CM offers key generation functions and other cryptographic functions provided for users that are endorsed by recognised authorities as appropriate for use by TSPs. This ensures that the algorithms used do not enable publicly known data to be used to derive secret keys.

Application Note 24 (Application Note 5 from EN 419221-5: Applied)

See note under P.Algorithms (section 3.3.1) on relevant references for digital signatures within the European Union.

OT.KeyIntegrity *Protection of integrity of keys*

The value and critical attributes of keys (secret or public) have their integrity protected by the CM against unauthorised modification (unauthorised modifications include making unauthorised copies of a key such that the attributes of the copy can be changed without the same authorisation as for the original key). Critical attributes in this context are defined to be those implementation-level attributes of a key that could be used by an attacker to cause the equivalent of a modification to the key value by other means (e.g. including changing the cryptographic functions for which a key can be used, the users with access to the key, or the identifier of the key). This objective includes protection of the keys during generation, storage (including external storage), and use.

OT.Auth *Authorisation for use of CM functions and data*

The CM carries out an authentication/authorisation check on all subjects before allowing them to use the CM. The following types of entity are distinguished for the purposes of authorisation (i.e. each type has a distinct method of authorisation):

- administrators of the CM
- users of CM cryptographic functions (client applications using secure channels)
- users of secret keys.

In particular, the CM always requires authorisation before using a secret key.

Application Note 25 (Application Note 6 from EN 419221-5: Applied)

Local client applications within a suitable security environment (such as client applications that are connected to the TOE by a channel such as a PCIe bus within the same hardware appliance) do not require authentication to communicate with the CM. However, use of a secret key always requires

prior authorisation.

OT.KeyUseConstraint *Constraints on use of keys*

Any key (secret or public) has an unambiguous definition of the purposes for which it can be used, in terms of the cryptographic functions or operations (e.g. encryption or signature) that it is permitted to be used for. The CM rejects any attempt to use the key for a purpose that is not permitted. The CM also has an unambiguous definition of the subjects that are permitted to access the key (and the purposes for which this access can be used) and allows this to be set to the granularity of an individual subject – these access constraints apply to use of the key even where the key value is not accessible. This objective means that the CM also prevents unauthorised use of any cryptographic functions that use a key.

OT.KeyUseScope *Defined scope for use of a key after authorisation*

The CM is required to define and apply clearly stated limits on when authorisation and reauthorisation are required in order for a secret key to be used⁸. For example the CM may allow secret keys to be used for a specified time period or number of uses after initial authorisation, or for may allow the key to be used until authorisation is explicitly rescinded. As another example, the CM may implement a policy that requires re-authorisation before every use of a secret key.

Application Note 26 (Application Note 7 from EN 419221-5: Applied)

Such limits on the use of a key after initial authorisation are termed “re-authorisation conditions” in this PP. A wide range of policies and re-authorisation conditions are allowed, and different policies may be applied to different types of secret key, but the re-authorisation conditions for all types of secret key must be unambiguously defined in the Security Target. The decision to use supported reauthentication conditions is made on the basis of the application context. Making appropriate use of re-authorisation conditions supports client applications in meeting their requirements for OE.DataContext and OE.AppSupport. see: FMT_MSA.3/Keys.

OT.DataConf *Protection of confidentiality of sensitive client application data*

The CM provides secure channels to client applications that can be used to protect the confidentiality of sensitive data (such as authentication/authorisation data) during transmission between the client application and the CM, or during transmission between separate parts of the CM where that transmission passes through an insecure environment.

Application Note 27 (Application Note 8 from EN 419221-5: Applied)

Protection of secret keys (as a specific type of sensitive data) is also subject to additional protection specified in other CM objectives. Any requirements for secure storage and control of access to other types of client application data within the CM rely on the client application using appropriate interfaces and cryptographic functions to protect it, as required by OE.DataContext and OE.AppSupport. For example, if a client application uses the CM to perform cryptographic functions on data that represent a passphrase value and the passphrase value is to be stored on the CM, then the client application would need to use an appropriate encryption function before storing the data on the CM.

OT.DataMod *Protection of integrity of client application data*

The CM provides secure channels to client applications that can be used to protect the integrity of sensitive data (such as data to be signed, authentication/authorisation data or public key certificates) during transmission between the client application and the CM.

Application Note 28 (Application Note 9 from EN 419221-5: Applied)

Any requirements for integrity protection of client application data within the CM rely on the client

⁸ Any attempt to use the key in cryptographic functions that are not permitted for that key is addressed by OT.KeyUseConstraint.

application using appropriate interfaces and cryptographic functions to protect it, as required by OE.DataContext and OE.AppSupport.

OT.ImportExport *Secure import and export of keys*

The CM allows import and export of secret keys only by using a secure method that protects the confidentiality and integrity of the data during transmission – in particular, secret keys must be exported only in encrypted form (it is not sufficient to rely on properties of a secure channel to provide the protection: the key itself must be encrypted). The CM also allows individual secret keys under its control to be identified as non-exportable, in which case any attempt to export them will be rejected automatically. Public keys may be imported and exported in a manner that protects the integrity of the data during transmission.

Assigned keys cannot be imported or exported.

OT.Backup *Secure backup of user data*

Any method provided by the CM for backing up user data, including secret keys, preserves the security of the data and is controlled by authorised Administrators. The secure backup process preserves the confidentiality and integrity of the data during creation, transmission, storage and restoration of the backup data. Backups also preserve the integrity of the attributes of keys.

OT.RNG *Random number quality*

Random numbers generated and provided by CM to client applications for use as keys, authentication/authorisation data, or seed data for another random number generator that is used for these purposes shall meet a defined quality metric in order to ensure that random numbers are not predictable and have sufficient entropy.

OT.TamperDetect *Tamper Detection*

The CM shall provide features to protect its security functions against tampering. In particular the CM shall make any physical manipulation within the scope of the intended environment (adhering to OE.Env) detectable for the administrators of the CM.

OT.FailureDetect *Detection of CM hardware or software failures*

The CM detects faults that would cause some other security property to be weakened or to fail, including:

- Environmental conditions outside normal operating range (including temperature and power)
- Failures of critical CM hardware components (including the RNG)
- Corruption of CM software.

On detection of a fault, the CM takes action to maintain its security and the security of the data that it contains and controls.

OT.Audit *Generation of audit trail*

The CM creates audit records for security-relevant events, recording the event details and the subject associated with the event. The CM ensures that the audit records are protected against accidental or malicious deletion or modification of records by providing tamper protection (either prevention or detection) for the audit log.

4.1.2 Security Objectives for the Signature Activation Module (SAM)

4.1.2.1 Enrolment

OT.SIGNER_PROTECTION

The SAM shall ensure that data associated to R.Signer are protected in integrity and if needed in confidentiality.

OT.REFERENCE_SIGNER_AUTHENTICATION_DATA

(abbreviated as OT.REF_SIG_AUTH_DATA)

The SAM shall be able to securely handle signature authentication data, R.Reference_Signer Authentication_Data, as part of R.Signer.

OT.SIGNER_KEY_PAIR_GENERATION

(abbreviated as OT.SIG_KEY_GEN)

The SAM shall be able to securely use the CM to generate signer signing key pairs and assign R.Signing_Key_Id and R.SVD to R.Signer.

OT.SVD

The SAM shall ensure that the R.SVD linked to R.Signer is not modified before it is certified.

4.1.2.2 User Management

OT.PRIVILEGED_USER_MANAGEMENT

(abbreviated as OT.PRIV_U_MANAGEMENT)

The SAM shall ensure that any modification to R.Privileged_User and R.Reference_Privileged_User_Authentication_Data are performed under control of the Privileged User.

Application Note 29 (Application Note 23 from EN 419241-2: Applied)

The exception to this objective is when the initial (set of) Privileged Users are created as part of system initialisation.

OT.PRIVILEGED_USER_AUTHENTICATION

(abbreviated as OT.PRIV_U_AUTH)

The SAM shall ensure that an administrator with a Privileged User is authenticated before action on the SAM is performed.

OT.PRIVILEGED_USER_PROTECTION

(abbreviated as OT.PRIV_U_PROT)

The SAM shall ensure that data associated to R.Privileged_User are protected in integrity and if needed in confidentiality.

OT.SIGNER_MANAGEMENT

The SAM shall ensure that any modification to R.Signer, R.Reference_Signer_Authentication_Data, R.Signing_Key_Id and R.SVD are performed under control of the signer or trusted administrator as Privileged User.

OT.SAM_BACKUP

Any method provided by the SAM for backing up user data, including R.Signing_Key_Id, R.Signer,

R.Reference_Signer_Authentication_Data and R.Reference_Privileged_User_Authentication_Data preserves the security of the data and is controlled by authorised Privileged Users. The secure backup process preserves the confidentiality and integrity of the data during creation, transmission, storage and restoration of the backup data.4.1.2.3 Usage

OT.SAD_VERIFICATION

The SAM shall verify the SAD. That is, it shall check there is a link between the SAD elements and ensure the signer is strongly authenticated.

Application Note 30 (Application Note 24 from EN 419241-2: Applied)

Where the SAM derives authorisation data from authentication data in the SAD and uses this to activate the signing key in the cryptographic module this function can depend on the controls provided by the cryptographic module.

Application Note 31 (Application Note 25 from EN 419241-2: Applied)

Requirements for authentication are described in [EN 419241-1] SRA_SAP.1.1.

OT.SAP

The SAM shall implement the server-side endpoint of a Signature Activation Protocol (SAP), which provides the following:

- Signer authentication
- Integrity of the transmitted SAD
- Confidentiality of at least the elements of the SAD which contains sensitive information
- Protection against replay, bypass of one or more steps and forgery.

Application Note 32 (Application Note 26 from EN 419241-2: Applied)

The signer authentication is conducted according to [EN 419241-1] SCAL.2 for qualified signatures. The signer authentication is carried out in one of the following ways: (1) Directly by the SAM. In this case the SAM verifies the signer's authentication factor(s). (2) Indirectly by the SAM. In the case, an external authentication service as part of the TW4S or a delegated party that verifies the signer's authentication factor(s) and issues an assertion that the signer has been authenticated. The SAM shall verify the assertion. (3) A combination of the two directly or indirectly schemes.

OT.SIGNATURE_AUTHENTICATION_DATA_PROTECTION

(abbreviated as OT.SIG_AUTH_DATA_PROT)

The SAM shall ensure signature authentication data is protected against attacks when transmitted to the SAM which would compromise its use for authentication.

OT.DTBSR_INTEGRITY

The SAM shall ensure that the DTBS/R is protected in integrity when transmitted to the SAM.

OT.SIGNATURE_INTEGRITY

(abbreviated as OT.SIGN_INTEGRITY)

The SAM shall ensure that a signature can't be modified inside the SAM.

OT.CRYPTO

The TOE shall only use algorithm, algorithm parameters and key lengths endorsed by recognized authorities. This includes generation of random numbers, signing key pairs and signatures as well as the integrity and confidentiality of SAM assets.

4.1.2.4 System

OT.RANDOM

Random numbers generated by the TOE for use as keys, in protocols or seed data for another random number generator that is used for these purposes shall meet a defined quality metric in order to ensure that random numbers are not predictable and have sufficient entropy.

Application Note 33

This security objective is covered by OT.RNG (security objective for CM).

According to Application Note 40 in [EN 419241-2] the SFR FCS_RNG.1 (and OT.RNG) only apply, if the SAM is not implemented as a local application within the same physical boundary as the CM.

OT.SYSTEM_PROTECTION

The SAM shall ensure that modification to R.TSF_DATA is authorised by Privileged User and that unauthorised modification can be detected.

Application Note 34 (Application Note 27 from EN 419241-2: Applied)

The detection of unauthorised changes to R.TSF_DATA is only relevant if whole or part of it is stored outside the TOE. Since the drQSCD stores R.TSF_DATA, this objective is not relevant.

OT.AUDIT_PROTECTION

The SAM shall ensure that modifications to R.AUDIT can be detected.

4.1.3 Additional Security Objectives for the TOE

There are three additional Security Objectives for the multi-party configuration of the TOE in relation to the distributed structure of the TOE:

OT.TSF_Consistency *Internal TSF consistency*

The TOE (CM+SAM) shall ensure the consistency of TSF data that are replicated between separate parts of the TOE.

OT.PROT_Comm *Protected communication between separate TOE parts*

The TOE (CM+SAM) shall provide protected communication channels between separate parts of the TOE.

OT.Availability *Partial Fault Tolerance*

The TOE (CM+SAM) shall provide normal service by maintaining the minimum security function at occurrence of breakdown in one of the TOE parts by external attacks or a fatal error in one TOE part.

4.2 Security Objectives for the Operational Environment

The following security objectives relate to the TOE environment. This includes client applications as well as the procedure for the secure operation of the TOE.

4.2.1 SOs for the Operational Environment of the TOE (CM+SAM)

OE.Env *Protected operating environment*

The TSP deploying the SSA and TOE (CM+SAM) shall be a qualified TSP according to article 3 (20) of Regulation (EU) No 910/2014 [eIDAS] and audited to be compliant with the requirements for TSP's given by [eIDAS]. The audit of the qualified TSP shall cover the security objectives for the operational environment specified in this clause.

The TOE (CM+SAM) shall operate in a protected environment that limits physical access to the TOE (CM+SAM) to authorised privileged users. The TOE (CM+SAM) software and hardware environment (including client applications) shall be installed and maintained by Administrators in a secure state that mitigates against the specific risks applicable to the deployment environment, including (where applicable):

- Protection against loss or theft of the TOE or any of its externally stored assets
- Inspections to deter and detect tampering (including attempts to access side-channels, or to access connections between physically separate parts of the TOE, or parts of the hardware appliance)
- Protection against the possibility of attacks based on emanations from the TOE (e.g. electromagnetic emanations) according to risks assessed for the operating environment
- Protection against unauthorised software and configuration changes on the TOE and the hardware appliance
- Protection to an equivalent level of all instances of the TOE holding the same assets (e.g. where a key is present as a backup in more than one instance of the TOE).

4.2.2 SOs for the Operational Environment of the Cryptographic Module (CM)

OE.ExternalData *Protection of data outside TOE control*

Where copies of data protected by the CM are managed outside of the CM, client applications and other entities shall provide appropriate protection for that data to a level required by the application context and the risks in the deployment environment. This includes protection of data that is exported from, or imported to, the CM (such as audit data and encrypted keys).

In particular, any backups of the CM and its data shall be maintained in a way that ensures appropriate controls over making backups, storing backup data, and using backup data to restore an operational CM. The number of sets of backup data shall not exceed the minimum needed to ensure continuity of the TSP service. The ability to restore a CM to an operational state from backup data shall require at least dual person control (i.e. the participation and approval of more than one authenticated administrator).

OE.DataContext *Appropriate use of TOE functions*

Any client application using the cryptographic functions of the TOE shall ensure that the correct data are supplied in a secure manner (including any relevant requirements for authenticity, integrity and confidentiality). For example, when creating a digital signature over a DTBS the client application shall ensure that the correct (authentic, unmodified) DTBS/R is supplied to the TOE, and shall correctly and securely manage the signature received from the CM; and when certifying a public key the client application shall ensure that necessary checks are made to prove possession of the corresponding private key. The client application may make use of appropriate secure channels provided by the CM to support these security requirements. Where required by the risks in the operational environment a suitable entity (possibly the client application) shall perform a check of the signature returned from the CM, to confirm that it relates to the correct DTBS.

Client applications shall be responsible for any required logging of the uses made of the CM services, such as signing (or sealing) events.

Similar requirements shall apply in local use cases where no client application need be involved, but in which the TOE and its user data (such as keys used for signatures) need to be configured in ways

that will support the need for security requirements such as sole control of signing keys. Appropriate procedures shall be defined for the initial creation of data and continuing operation of the TOE according to the specific risks applicable to the deployment environment and the ways in which the TOE is used.

OE.Uauth *Authentication of application users*

Any client application using the cryptographic services of the CM shall correctly and securely gather identification and authentication/authorisation data from its users and securely transfer it to the CM (protecting the confidentiality of the authentication/authorisation data as required) when required to authorise the use of CM assets and services.

OE.AuditSupport *Audit data review*

The audit trail generated by the CM will be collected, maintained and reviewed by a System Auditor according to a defined audit procedure for the TSP.

Application Note 35 (Application Note 4 from EN 419221-5: Applied)

As noted for P.Audit, the CM is assumed to exist as part of a larger system and the System Auditor is a role within this larger system.

OE.AppSupport *Application security support*

Procedures to ensure the ongoing security of client applications and their data shall be defined and followed in the environment, and reflected in use of the appropriate CM cryptographic functions and parameters, and appropriate management and administration actions on the CM. This includes, for example, any relevant policies on algorithms, key generation methods, key lengths, key access, key import/export, key usage limitations, key activation, cryptoperiods and key renewal, and key/certificate revocation.

4.2.3 SOs for the Operational Environment of the Signature Activation Module (SAM)

OE.SVD_AUTHENTICITY

The operational environment shall ensure the SVD integrity during transmit outside the SAM to the CA.

OE.CA_REQUEST_CERTIFICATE (abbreviated as OE.CA_REQ_CERT)

The operational environment shall ensure that the qualified TSP that issues qualified certificates is compliant with the relevant requirements for qualified TSP's as defined in [eIDAS]. The operational environment shall use a process for requesting a certificate, including SVD and signer information, and CA signature in a way, which demonstrates the signer is control of the signing key associated with the SVD presented for certification. The integrity of the request shall be protected.

OE.CERTIFICATE_VERIFICATION (abbreviated as OE.CERT_VERIFICATION)

The operational environment shall verify that the certificate for the R.SVD contains the R.SVD.

OE.SIGNER_AUTHENTICATION_DATA (abbreviated as OE.SIG_AUTH_DATA)

The signer's management of authentication factors data outside the SAM shall be carried out in a secure manner.

OE.DELEGATED_AUTHENTICATION

If the TOE has support for and is configured to use delegated authentication then the TSP deploying the SSA and SAM shall ensure that all requirements in [EN 419241-1] SRA_SAP.1.1 are met. In

addition, the TSP shall ensure that:

- the delegated party fulfils all the relevant requirements of this standard and the requirements for registration according to the Regulation (EU) No 910/2014 [eIDAS], or
- the authentication process delegated to the external party uses an electronic identification means issued under a notified scheme that is included in the list published by the Commission pursuant to Article 9 of the Regulation (EU) No 910/2014 [eIDAS] and
- if the signer is only authenticated using a delegated party, the TSP shall ensure that the secret key material used to authenticate the delegated party to the TOE shall reside in a certified cryptographic module consistent with the requirement as defined in [EN 419241-1] SRG_KM.1.1.

Application Note 36

The drQSCD does not use delegated authentication.

OE.DEVICE

The device, computer/tablet/smart phone containing the SIC and which is used by the signer to interact with the SAM shall be protected against malicious code. It shall participate using SIC as local part of the SAP and may calculate SAD as described in [EN 419241-1]. It may be used to view the document to be signed.

OE.CRYPTOMODULE_CERTIFIED (abbreviated as OE.CM_CERTIFIED)

If the SAM is implemented as a local application within the same physical boundary as the CM defined in [EN 419-221-5] then the SAM relies on the CM for providing a tamper-protected environment and for cryptographic functionality and random number generation. If the CM is implemented within a separate physical boundary then the SAM relies on the CM for cryptographic functionality and random number generation. The physical boundary shall physically protect the SAM conformant to FPT_PHP.1 and FPT_PHP.3 in [EN 419 221-5].

Application Note 37 (Application Note 26 from [EN 419241-2]: Applied)

OE.CRYPTOMODULE_CERTIFIED requirement for the SAM is accomplished because this ST claims to be strictly conformant also to the PP [EN 419221-5].

In case of an extended CM is used, OE.CRYPTOMODULE_CERTIFIED is an objective for the operational environment.

OE.TW4S_CONFORMANT

The SAM shall be operated by a qualified TSP in an operating environment conformant with [EN 419241-1].

4.3 Security Objectives Rationale

4.3.1 Security objectives coverage (backtracking)

The following tables show how the security objectives and the security objectives for the operational environment cover the threats, organizational security policies and assumptions, for the CM (4.1) for the SAM (4.2) and for the distributed structure of the TOE (4.3).

	OT.PlainKeyConf	OT.Algorithms	OT.KeyIntegrity	OT.Auth	OT.KeyUseConstraint	OT.KeyUseScope	OT.DataConf	OT.DataMod	OT.ImportExport	OT.Backup	OT.RNG	OT.TamperDetect	OT.FailureDetect	OT.Audit	OE.ExternalData	OE.Env	OE.DataContext	OE.AppSupport	OE.Uauth	OE.AuditSupport	
T.KeyDisclose	X		X				X		X	X		X			X	X					
T.KeyDerive		X									X										
T.KeyMod			X						X	X		X									
T.KeyMisuse				X	X																
T.KeyOveruse						X															
T.DataDisclose							X										X	X			
T.DataMod								X									X	X			
T.Malfunction													X								
P.Algorithms		X																			
P.CRYPTO ⁹		X																			
P.KeyControl	X	X		X	X	X			X	X											
P.RNG											X										
P.Audit														X							
A.ExternalData															X						
A.Env																X					
A.DataContext																	X				
A.AppSupport																			X		
A.UAuth																				X	
A.AuditSupport																					X

Table 4.1 Mapping of security problem definition to security objectives for CM

⁹ P.CRYPTO is an OSP from [EN 419241-2]. Since the SAM is implemented as a local application within the same physical boundary as the CM defined in [EN 419221-5] then objective OT.Algorithm enforces the P.CRYPTO (instead of the objective for the operational environment OE.CRYPTOMODULE_CERTIFIED).

	Enrolment				User management				Usage						System			Security Objectives for the Operational Environment								
	OT.SIGNER_PROTECT	OT.REF_SIG_AUTH_D	OT.SIG_KEY_GEN	OT.SVD	OT.PRIV_U_MANAGE	OT.PRIV_U_AUTH	OT.PRIV_U_PROT	OT.SIGNER_MANAGEMENT	OT.SAM_BACKUP	OT.SAD_VERIFICATIO	OT.SAP	OT.SIG_AUTH_DATA_	OT.DTBSR_INTEGRIT	OT.SIGN_INTEGRITY	OT.CRYPTO	OT.RNG (for CM)	OT.SYSTEM_PROTECTION	OT.AUDIT_PROTECTI	OE.ENV	OE.SVD_AUTHENTICI	OE.CA_REQ_CERT	OE.CERT_VERIFICAT	OE.SIG_AUTH_DATA	OE.DEVICE	OE.CM_CERTIFIED	OE.TW4S_CONFORM
T.ENROLMENT_SIGNER_IMPERSONAL	X	X					X																			X
T.ENR_SIG_AUTH_DATA_DISCL	X	X																					X	X		
T.SVD_FORGERY			X	X										X					X	X						
T.ADMIN_IMPERSONATION					X																					
T.MAINT_AUTH_DISCL		X																								
T.AUTH_SIG_IMPERS									X																	
T.SIG_AUTH_DATA_MOD		X								X	X															
T.SAP_BYPASS										X															X	
T.SAP_REPLAY										X															X	
T.SAD_FORGERY										X	X											X	X			
T.SIGN_REQ_DISCL										X																
T.DTBSR_FORGERY												X												X		
T.SIGNATURE_FORGERY													X	X												
T.PRIVILEGED_USER_INSERTION					X	X																				
T.REF_PRIV_U_AUTH_DATA_MOD					X	X	X																			
T.AUTHORISATION_DATA_UPDATE																X										
T.AUTHORISATION_DATA_DISCL																X										
T.CONTEXT_ALTERATION																X										
T.AUDIT_ALTERATION																	X									
T.RANDOM															X											
P.CRYPTO														X												
P.RANDOM															X											
P.BACKUP								X																		
A.PRIVILEGED_USER																										X
A.SIGNER_ENROLMENT																		X								
A.SIG_AUTH_DATA_PROT																						X				
A.SIGNER_DEVICE																								X		
A.CA																				X						
A.ACCESS_PROTECTED																	X									
A.AUTH_DATA																							X			
A.CRYPTO																									X	
A.TSP_AUDITED																		X								
A.SEC_REQ																										X

Table 4.2 Mapping of security problem definition to security objectives for SAM

	OT.TSF_Consistency	OT.PROT_Comm	OT.Availability
T.Inconsistency	X		
T.Intercept		X	
T.Breakdown			X

Table 4.3 Mapping of security problem definition to security objectives for the distributed structure

4.3.2 Security Objectives Sufficiency

The following paragraphs describe the rationale for the sufficiency of the Security Objectives relative to the threats, OSPs and assumptions.

4.3.2.1 Sufficiency for the Cryptographic Module (CM)

T.KeyDisclose is addressed by the requirement in OT.PlainKeyConf to keep plaintext secret keys unavailable, and this is supported in terms of controls over key attributes (which might threaten the confidentiality of the key if modified) in OT.KeyIntegrity. The confidentiality of secret keys that are exported is protected partly by the use of a secure channel as described in OT.DataConf and the requirements for import and export in OT.ImportExport (including the requirement to export secret keys only in encrypted form, or to be able to exclude the export of a key entirely). Physical tamper protection of the keys is provided by OT.TamperDetect (supported by an appropriate inspection procedure as required in OE.Env). Protection of secret key confidentiality during backup is ensured by OT.Backup. The environment also contributes to maintaining secret key confidentiality by protecting any versions of a secret key that may exist outside the CM, as in OE.ExternalData, and by protecting the operation of the CM itself by providing a secure environment, as in OE.Env.

T.KeyDerive is addressed by the choice of algorithms that have been endorsed for the appropriate purposes, and this is described in OT.Algorithms. Where keys are generated by the CM then the use of a suitable random number generator is required by OT.RNG in order to mitigate the risk that an attacker can guess or deduce the key value.

T.KeyMod is addressed by requiring integrity protection of secret and public keys, and their critical attributes in OT.KeyIntegrity, and by requiring use of secure channels that protect integrity if a key is imported or exported (OT.ImportExport). Protection of key integrity during backup is ensured by OT.Backup. Physical tamper protection of the keys is provided by OT.TamperDetect (supported by an appropriate inspection procedure as required in OE.Env).

T.KeyMisuse raises the possibility of a secret key being used for an unintended and unauthorised purpose, and is addressed by the requirement in OT.Auth for the CM to carry out an authorisation check before using a secret key. OT.KeyUseConstraint expands on this to set out requirements for the granularity of authorisation.

T.KeyOveruse is concerned with the possibility that more uses may be made of an authorised key than were intended, and this is addressed by the requirements of OT.KeyUseScope which requires controls to be specified and enforced for any re-authorisation conditions that the CM allows a user to define.

T.DataDisclose is concerned with the transmission of data between client applications and the CM, or between separate parts of the CVM where the transmission passes through an insecure

environment. This is addressed by OT.DataConf, which requires the CM to provide secure channels to protect such communications. The appropriate use of such channels is a requirement for the environment as expressed in OE.DataContext, as is the use of appropriate procedures in OE.AppSupport.

T.DataMod is concerned with the possibility of unauthorised modification of data transmitted between a client application and the CM, and this is addressed by OT.DataMod which requires that the CM provides secure channels that can be used to protect the integrity of data that they carry. As with T.DataDisclose, the appropriate use of such channels is a requirement for the environment as expressed in OE.DataContext, as is the use of appropriate procedures in OE.AppSupport.

T.Malfunction is addressed by the requirement in OT.FailureDetect for the CM to detect certain types of fault.

P.Algorithms requires the use of key generation and other cryptographic functions that are endorsed by appropriate authorities, and this is addressed by OT.Algorithms.

P.CRYPTO requires the use of algorithm, algorithm parameters and key lengths that are endorsed by appropriate authorities, and this is addressed by OT.Algorithms.

P.KeyControl requires that the CM can provide controls and support a key lifecycle to ensure that secret keys can be reliably protected against use by those other than the owner of the key, and that the keys can be confined to use for certain cryptographic functions. This is addressed by a combination of CM objectives as follows:

- OT.PlainKeyConf protects the value of the secret key to prevent the possibility of it being used by unauthorised subjects
- OT.Algorithms ensures that endorsed algorithms that employ and support suitable properties and procedures are provided by the CM
- OT.Auth, OT.KeyUseConstraint and OT.KeyUseScope ensure that the CM can provide welldefined limits on the use of a key when it is authorised (as described above for T.KeyMisuse and T.KeyOveruse)
- OT.ImportExport and OT.Backup ensure protection of keys when they are transmitted outside the CM to client applications or for backup purposes, including the prevention of export of Assigned Keys.

P.Audit requires the CM to provide an audit trail and this is addressed directly by OT.Audit (which includes protection of the audit records).

Each of the Assumptions in section 3.4.1 is directly matched by a security objective for the operational environment in section 4.2.1 and 4.2.2. The wording of each objective for the operational environment includes the wording of each assumption, and no further rationale is therefore given here.

4.3.2.2 Sufficiency for the Signature Activation Module (SAM)

T.ENROLMENT_SIGNER_IMPERSONATION is covered by OT.SIGNER_PROTECTION requiring R.Signer to be protected in integrity and for sensitive parts in confidentiality. It is also covered by OT.SIGNER_MANAGEMENT requiring the signer to be securely created. It is also covered by OT.REFERENCE_SIGNER_AUTHENTICATION_DATA requiring the SAM

to be able to assign signer authentication data to the signer.

It is also covered by OE.TW4S_CONFORMANT as that requires that signer enrolment to be handled in accordance with [Assurance] for level at least substantial.

T.ENROLMENT_SIGNER_AUTHENTICATION_DATA_DISCLOSED is covered by OT.REFERENCE_SIGNER_AUTHENTICATION_DATA requiring that authentication data be securely handled.

It is also covered by OT.SIGNER_PROTECTION requiring that the attributes, including signer authentication data, be protected in integrity and if needed in confidentiality.

It is also covered by OE.SIGNER_AUTHENTICATION_DATA requiring the signer to keep his authentication data secret.

It is also covered by OE.DEVICE requiring the device used by the signer not to disclose authentication data.

T.SVD_FORGERY is covered by OT.SIGNER_KEY_PAIR_GENERATION requiring a Cryptographic Module to generate signer key pair.

It is also covered by OT.SVD requiring the public key to be protected while inside the SAM.

It is also covered by OT.CRYPTO requiring the usage of endorsed algorithms. It is also covered by OE.SVD_AUTHENTICITY requiring the environment to protect the SVD during transmit from the SAM to the CA.

It is also covered by OE.CA_REQUEST_CERTIFICATE requiring the certification request to be protected in integrity.

T.ADMIN_IMPERSONATION is covered by OT.SIGNER_MANAGEMENT and OT.PRIVILEGED_USER_AUTHENTICATION requiring any changes to the signer representation and attributes are carried out in an authorised manner.

T. MAINTENANCE_AUTHENTICATION_DISCLOSE is covered by OT.REFERENCE_SIGNER_AUTHENTICATION_DATA requiring that authentication data be securely handled.

T.AUTHENTICATION_SIGNER_IMPERSONATION is covered by OT.SAD_VERIFICATION requiring that the SAM checks the SAD received in the SAP.

T.SIGNER_AUTHENTICATION_DATA_MODIFIED is covered by OT.SIGNATURE_AUTHENTICATION_DATA_PROTECTION requiring the SAD transported protected in the SAP. It is also covered by OT.REFERENCE_SIGNER_AUTHENTICATION_DATA requiring that authentication data be securely handled. It is also covered by OT.SAP requiring the integrity of the SAD is protected during transmit in the SAP.

T.SAP_BYPASS is covered by OT.SAP requiring that all steps, including SAD verification, of the SAP must completed.

T.SAP_REPLAY is covered by OT.SAP requiring that the signature activation protocol must be able to resist whole or part of it being replayed.

T.SAD_FORGERY is covered by OT.SAP requiring the SAM to be able to detect if the SAD has been modified during transmit to the SAM.

It is also covered by OT.SIGNATURE_AUTHENTICATION_DATA_PROTECTION requiring signature authentication data to be protected during transmit to the SAM.

It is also covered by OE.SIGNER_AUTHENTICATION_DATA requiring the signer to protect his authentication data.

It is also covered by OE.DEVICE requiring the device used by the signer to participate correctly in the SAP, in particular the device shall not disclose authentication data.

T.SIGNATURE_REQUEST_DISCLOSURE is covered by OE.SAP requiring the protocol to be able to transmit data securely..

T.DTBSR_FORGERY is covered by OT.DTBSR_INTEGRITY requiring the DTBS/R to be protected in integrity during transmit to the SAM.

It is also covered by OE.DEVICE requiring the device to participate correctly in the SAP, including sending the SAD containing a link to the data to be signed.

T.SIGNATURE_FORGERY is covered by OT.SIGNATURE_INTEGRITY requiring that the signature is protected in integrity inside the SAM.

It is also covered by OT.CRYPTO requiring the usage of endorsed algorithms.

T.PRIVILEGED_USER_INSERTION is covered by

OT.PRIVILEGED_USER_MANAGEMENT requiring only Privileged User can create new R.Privileged_User and OT.PRIVILEGED_USER_AUTHENTICATION that requires a Privileged User to be authenticated..

T.REFERENCE_PRIVILEGED_USER_AUTHENTICATION_DATA_MODIFICATION is covered by OT.PRIVILEGED_USER_MANAGEMENT requiring only Privileged User can modify R.Privileged_User and OT.PRIVILEGED_USER_AUTHENTICATION that requires a Privileged User to be authenticated..

It is also covered by OT.PRIVILEGED_USER_PROTECTION requiring the Privileged User to be protected in integrity.

T.AUTHORISATION_DATA_UPDATE is covered by OT.SYSTEM_PROTECTION requiring any unauthorised modification to SAM configuration to be detectable.

T.AUTHORISATION_DATA_DISCLOSE is covered by OT.SYSTEM_PROTECTION requiring any unauthorised modification to SAM configuration to be detectable.

T.CONTEXT_ALTERATION is covered by OT.SYSTEM_PROTECTION requiring any unauthorised modification to SAM configuration to be detectable.

T.AUDIT_ALTERATION is covered by OT.AUDIT_PROTECTION requiring any audit modification can be detected.

T.RANDOM is covered by OT.RNG requiring that random numbers are not predictable and have sufficient entropy.

P.CRYPTO is covered by OT.CRYPTO requiring the usage of endorsed algorithms

P.RANDOM is covered by OT.RNG requiring that random numbers are not predictable and have sufficient entropy.

P.BACKUP is covered by OT.SAM_BACKUP requiring random numbers to meet a specified quality metric.

A.PRIVILEGED_USER is covered by OE.TW4S_CONFORMANT which requires that the system where the SAM operates is compliant with [EN 419241-1] where clause SRG_M.1.8 requires that administrators are trained.

A.SIGNER_ENROLMENT is covered by OE.TW4S_CONFORMANT requiring the operation of the TW4S enrolment of users in a secure way.

A.SIGNER_AUTHENTICAIION_DATA_PROTECTION is covered by OE.SIGNER_AUTHENTICATION_DATA requiring the signer to protect his authentication data.

A.SIGNER_DEVICE is covered by OE.DEVICE requiring the signer's device to be protected against malicious code.

A.CA is covered by OE.CA_REQUEST_CERTIFICATE requiring that the CA will issue certificates containing the SVD.

A.ACCESS_PROTECTED is covered by OE.ENV requiring the SAM be operated in an environment with physical access controls.

A.AUTH_DATA is covered by OE.DEVICE requiring the device to participate correctly in the SAP.

A.CRYPTO is covered by OE.CRYPTOMODULE_CERTIFIED.

A.TSP_AUDITED is covered by OE.ENV requiring that the SAM is operated by a qualified TSP.

A.SEC_REQ is covered by OE.TW4S_CONFORMANT requiring the system where the SAM operates is compliant with [EN 419241-1].

4.3.2.3 Sufficiency for the additional threats

T.Inconsistency addresses the threat arising from inconsistency of TSF data stored in different TOE parts. This threat is countered by OT.TSF_Consistency, which ensures the consistency of TSF data that are replicated between separate TOE parts.

T.Intercept addresses the threat arising from interception of secure data while they are being transmitted between TOE parts. This threat is countered by OT.PROT_Comm, which assures the protection of communication channels between separate TOE parts.

T. Breakdown is covered by OT.Availability, which requires a minimum service provision to be maintain in case of one of the MPCAs has broken down.

5 Extended components definition

5.1 Generation of random numbers (FCS_RNG)

The additional family FCS_RNG (Generation of random numbers) of the Class FCS (Cryptographic Support) is defined in [EN 419221-5] and [EN 419241-2].

Family behaviour

This family defines quality requirements for the generation of random numbers which are intended to be use for cryptographic purposes.

Component levelling:

FCS_RNG: Generation of random numbers - 1

Management: FCS_RNG.1

There are no management activities foreseen.

Audit: FCS_RNG.1

There are no actions defined to be auditable.

FCS_RNG.1 (Generation of random numbers)

Hierarchical to: No other components.

Dependencies: No dependencies.

FCS_RNG.1.1

The TSF shall provide a [selection: *physical, non-physical true, deterministic, hybrid physical, hybrid deterministic*] random number generator that implements: [assignment: *list of security capabilities*].

FCS_RNG.1.2

The TSF shall provide [selection: bits, octets of bits, numbers [assignment: format of the numbers]] that meet [assignment: a defined quality metric].

Application Note 38 (Application Note 11/29 from [EN 419221-5] / [EN 419241-2]: Applied)

A physical random number generator (RNG) produces the random number by a noise source based on physical random processes. A non-physical true RNG uses a noise source based on non-physical random processes like human interaction (key strokes, mouse movement). A deterministic RNG uses a random seed to produce a pseudorandom output. A hybrid RNG combines the principles of physical and deterministic RNGs where a hybrid physical RNG produces at least the amount of entropy the RNG output may contain and the internal state of a hybrid deterministic RNG output contains fresh entropy but less than the output of RNG may contain.

5.2 Basic TSF Self Testing (FPT_TST_EXT)

The additional family FPT_TST_EXT (Basic TSF Self Testing) of the Class FPT (Protection of the TSF) is defined in [EN 419221-5].

Application Note 39

The [EN 419221-5] use FPT_TST_EXT, but according to [CC2] 7.1.2.1 (49):

“The categorical information consists of a short name of seven characters, with the first three identical to the short name of the class followed by an underscore and the short name of the family as follows XXX_YYY.

This ST uses same format as the certified Protection Profile.

The extended component defined here is a simplified version of FPT_TST.1 in [CC2].

Family behaviour

Components in this family address the requirements for self-testing the TSF for selected correct operation.

Component levelling:

FPT_TST_EXT Basic TSF Self Testing - 1

Management: FPT_TST_EXT.1

There are no management activities foreseen.

Audit: FPT_TST_EXT.1

The following actions should be auditable if FAU_GEN Security audit data generation is included in the PP/ST:

- Indication that TSF self test was completed.

FPT_TST_EXT.1 (Basic TSF Self Testing)

Hierarchical to: No other components.

Dependencies: No dependencies.

FPT_TST_EXT.1.1

The TSF shall run a suite of the following self-tests [selection: *during initial start-up (on power on), periodically during normal operation, at the request of the authorised user, at the conditions [assignment: conditions under which self-tests should occur]*] to demonstrate the correct operation of the TSF: [assignment: *list of additional self-tests run by the TSF*].

6 Security requirements

6.1 Security functional requirements

6.1.1 Use of requirement specifications

Common Criteria allows several operations to be performed on functional requirements; refinement, selection, assignment, and iteration are defined in paragraph 2.1.4 of [CC2]. Each of these operations is used in this ST.

The **refinement** operation is used to add detail to a requirement, and thus further restricts a requirement. Refinement of security requirements is either (i) denoted by the word “refinement” in **bold** text and the added or changed words are in bold text, or (ii) included in text as **bold** text and marked by a footnote. In cases where words from a CC requirement were deleted, a separate attachment indicates the words that were removed.

The **selection** operation is used to select one or more options provided by the CC in stating a requirement. Selections that have been made by the PP authors or CC authors are denoted as underlined text and the original text of the component is given by a footnote. Selections to be filled in by the ST author appear in square brackets with an indication that a selection is to be made, [selection:], and are italicized. Selections filled in by the ST author are denoted as double underlined text and a foot note where the selection choices from the PP are listed.

The **assignment** operation is used to assign a specific value to an unspecified parameter, such as the length of a password. Assignments that have been made by the PP authors are denoted by showing as underlined text and the original text of the component is given by a footnote. Assignments to be filled in by the ST author appear in square brackets with an indication that an assignment is to be made [assignment:], and are italicized. In some cases the assignment made by the PP authors defines a selection to be performed by the ST author. Thus this text is italicized like this. Assignments filled in by the ST author are denoted as double underlined text.

The **iteration** operation is used when a component is repeated with varying operations. Iteration is denoted by showing a slash “/”, and the iteration indicator after the component identifier.

For a distributed TOE, the functional security requirements need to be met by the TOE as a whole, but not all SFRs will necessarily be implemented by all TOE parts. The following categories are defined in order to specify when SFRs are to be implemented by one or all TOE parts:

- **All parts separately** (‘All’) – All TOE parts that comprise the distributed TOE must independently satisfy the requirement.
- **At least one part** (‘One’) – This requirement must be fulfilled by at least one part within the distributed TOE.
- **All parts together** (‘Distributed’) – This requirement must be fulfilled jointly by all TOE parts, in a distributed way.

In the case of the drQSCD:

- **Table 6.1.** specifies how each of the SFRs in this ST must be met, using the categories above. ‘One’ category means that this requirement must be fulfilled by the MPCA addressed by (local or external) client application.

Description	CM	SAM	Distributed structure
Security audit data generation (FAU)			
Audit data generation	FAU_GEN.1/CM	FAU_GEN.1/SAM	All
User identity association	FAU_GEN.2/CM	FAU_GEN.2/SAM	All
Guarantees of audit data availability	FAU_STG.2		All
Cryptographic support (FCS)			
Cryptographic key generation	FCS_CKM.1/RSA_d_key_gen FCS_CKM.1/RSA_nd_key_gen FCS_CKM.1/AES_key_gen FCS_CKM.1/3DES_key_gen FCS_CKM.1/EC_key_gen FCS_CKM.1/TLS_key_gen FCS_CKM.1/TOTP_shared_secret	FCS_CKM.1/invoke_CM:RSA_d_key_gen FCS_CKM.1/SAM_RSA_nd_key_gen FCS_CKM.1/SAM_AES_key_gen FCS_CKM.1/SAM_TLS_key_gen FCS_CKM.1/invoke_CM_TOTP_shared_secret	Distributed All One One One OneAll
Cryptographic key destruction	FCS_CKM.4/CM	FCS_CKM.4/SAM	All
Cryptographic operation	FCS_COP.1/RSA_d_digsig FCS_COP.1/RSA_nd_digsig FCS_COP.1/RSA_validate_digsig FCS_COP.1/ECDSA FCS_COP.1/ECDH FCS_COP.1/hash FCS_COP.1/keyed-hash FCS_COP.1/AES_enc_dec FCS_COP.1/3DES_enc_dec FCS_COP.1/RSA_d_dec FCS_COP.1/RSA_nd_dec FCS_COP.1/RSA_nd_enc FCS_COP.1/key_derivation FCS_COP.1/TOTP_verification FCS_COP.1/cmac_operation FCS_COP.1/ECSDA	FCS_COP.1/invoke_CM:RSA_d_digsig FCS_COP.1/SAM_RSA_nd_digsig FCS_COP.1/SAM_RSA_validate_digsig FCS_COP.1/SAM_hash FCS_COP.1/SAM_keyed-hash FCS_COP.1/SAM_AES_enc_dec - FCS_COP.1/invoke_CM:RSA_d_dec FCS_COP.1/SAM_RSA_nd_dec FCS_COP.1/SAM_RSA_nd_enc FCS_COP.1/SAM_key_derivation FCS_COP.1/SAM_TOTP_verification - -	Distributed One One One One One One One One Distributed One One One All
Generation of random numbers	FCS_RNG.1	-	One
User data protection (FDP)			
Subset access control	FDP_ACC.1/KeyUsage FDP_ACC.1/CM_Backup	FDP_ACC.1/Privileged User Creation FDP_ACC.1/Signer Creation FDP_ACC.1/Signer Key Pair Generation FDP_ACC.1/Signer Maintenance FDP_ACC.1/Supply DTBS/R FDP_ACC.1/Signing FDP_ACC.1/SAM Maintenance FDP_ACC.1/SAM Backup	All All All All All All All All All
Security attribute based access control	FDP_ACF.1/KeyUsage FDP_ACF.1/CM_Backup	FDP_ACF.1/Privileged User Creation FDP_ACF.1/Signer Creation FDP_ACF.1/Signer Key Pair Generation FDP_ACF.1/Signer Maintenance FDP_ACF.1/Supply DTBS/R FDP_ACF.1/Signing FDP_ACF.1/SAM Maintenance FDP_ACF.1/SAM Backup	All All All All All All All All All
Subset information flow control	FDP_IFC.1/KeyBasics	FDP_IFC.1/Signer FDP_IFC.1/Privileged User	All All All
Simple security attributes	FDP_IFF.1/KeyBasics	FDP_IFF.1/Signer FDP_IFF.1/Privileged User	All All All
Export of user data with security attributes		FDP_ETC.2/Signer FDP_ETC.2/Privileged User	All All

Description	CM	SAM	Distributed structure
Import of user data with security attributes		FDP_ITC.2/Signer FDP_ITC.2/Privileged User	All All
Stored data integrity monitoring and action	FDP_SDI.2		All
Subset residual information protection	FDP_RIP.1		All
Basic data exchange confidentiality		FDP_UCT.1	All
Data exchange integrity		FDP_UIT.1	All
Identification and authentication (FIA)			
Authentication failure handling	FIA_AFL.1/CM_authentication FIA_AFL.1/CM_authorisation	FIA_AFL.1/SAM	All All All
Timing of identification	FIA_UID.1/CM	FIA_UID.2/SAM	One One
Timing of authentication	FIA_UAU.1/CM	FIA_UAU.1/SAM	One One
Multiple authentication mechanisms		FIA_UAU.5/Signer FIA_UAU.5/Privileged User	One One
Re-authenticating	FIA_UAU.6/AKeyAuth FIA_UAU.6/GenKeyAuth		One One
User attribute definition		FIA_ATD.1	All
User-subject binding		FIA_USB.1	All
Security management (FMT)			
Management of security attributes	FMT_MSA.1/GenKeys FMT_MSA.1/AKeys	FMT_MSA.1/Signer FMT_MSA.1/Privileged User	All All All All
Secure security attributes		FMT_MSA.2	All
Static attribute initialization	FMT_MSA.3/Keys	FMT_MSA.3/Signer FMT_MSA.3/Privileged User	All All All
Management of TSF data	FMT_MTD.1/Unblock FMT_MTD.1/AuditLog	FMT_MTD.1/SAM	All All All
Security management functions	FMT_SMF.1/CM	FMT_SMF.1/SAM	All
Security roles	FMT_SMR.1/CM	FMT_SMR.2/SAM	All
Protection of the TSF (FPT)			
Reliable time stamps	FPT_STM.1/CM	FPT_STM.1/SAM	All
Failure with preservation of secure state	FPT_FLS.1		All
Passive detection of physical attack	FPT_PHP.1		All
Resistance to physical attack	FPT_PHP.3		All
Basic TSF Self Testing	FPT_TST_EXT.1		All
Replay detection		FPT_RPL.1	One
Inter-TSF basic TSF data consistency	FPT_TDC.1	FPT_TDC.1	All
Internal TSF consistency	FPT_TRC.1	FPT_TRC.1	All
Mutual trusted acknowledgement	FPT_SSP.2	FPT_SSP.2	All
Basic Internal TSF Data Transfer Protection	FPT_ITT.1	FPT_ITT.1	All
Resource utilisation (FRU)			
Degraded fault tolerance	FRU_FLT.1	FRU_FLT.1	All
Trusted path/channels (FTP)			
Trusted path	FTP_TRP.1/Local		One

Description	CM	SAM	Distributed structure
	FTP_TRP.1/Admin FTP_TRP.1/External	FTP_TRP.1/SSA FTP_TRP.1/SIC	One One One One
Inter-TSF trusted channel		FTP_ITC.1/CM	One

Table 6.1 Functional Security Requirements for the distributed structure of the drQSCD

6.1.2 SFRs of the Cryptographic Module (CM)

6.1.2.1 Security audit data generation (FAU)

FAU_GEN.1/CM (Audit data generation)

Hierarchical to: No other components.

Dependencies: FPT_STM.1 Reliable time stamps

FAU_GEN.1.1/CM

The TSF shall be able to generate an audit record of the following auditable events:

- a) Start-up and shutdown of the audit functions;
- b) All auditable events for the not specified¹⁰ level of audit;
- c) Startup of the TOE;
- d) Shutdown of the TOE;
- e) Cryptographic key generation (FCS_CKM.1/*);
- f) Cryptographic key destruction (FCS_CKM.4/CM);
- g) Failure of the random number generator (FCS_RND.1);
- h) Authentication and authorisation failure handling (FIA_AFL.1/*): all unsuccessful authentication or authorisation attempts, the reaching of the threshold for the unsuccessful authentication or authorisation attempts and the blocking actions taken;
- i) All attempts to import or export keys (FDP_IFF.1/KeyBasics);
- j) All modifications to attributes of keys (FDP_ACF.1/KeyUsage, FMT_MSA.1/GenKeys and FMT_MSA.1/AKeys);
- k) Backup and restore (FDP_ACF.1/CM_Backup): use of any backup function, use of any restore function, unsuccessful restore because of detection of modification of the backup data;
- l) Integrity errors detected for keys (FDP_SDI.2);
- m) Failures to establish secure channels (FTP_TRP.1/Local, FTP_TRP.1/Admin¹¹, FTP_TRP.1/External);
- n) Self-test completion (FPT_TST_EXT.1);
- o) Failures detected by the TOE (FPT_FLS.1);
- p) All administrative actions (FMT_SMF.1, FMT_MSA.1 (all iterations), FMT_MSA.3/Keys);
- q) Unblocking of access (FMT_MTD.1/Unblock);
- r) Modifications to audit parameters (affecting the content of the audit log) (FAU_GEN.1);
- s) Failures to establish secure channels among different TOE parts,
- t) Pre-generation of prime numbers for the RSA key-pairs¹².

FAU_GEN.1.2/CM

¹⁰[selection, choose one of: minimum, basic, detailed, not specified]

¹¹[refinement]

¹²[assignment: other specifically defined auditable events]

The TSF shall record within each audit record at least the following information:

- a) Date and time of the event, type of event, subject identity (if applicable), and the outcome (success or failure) of the event; and
- b) For each audit event type, based on the auditable event definitions of the functional components included in the ST: identifier of the related MPCA, human readable descriptive string about the related event¹³.

FAU_GEN.2/CM (User identity association)

Hierarchical to: No other components.

Dependencies: FAU_GEN.1 Audit data generation
FIA_UID.1 Timing of identification

FAU_GEN.2.1/CM

For audit events resulting from actions of identified users, the TSF shall be able to associate each auditable event with the identity of the user that caused the event.

FAU_STG.2 (Guarantees of audit data availability)

Hierarchical to: FAU_STG.1 Protected audit trail storage

Dependencies: FAU_GEN.1 Audit data generation

FAU_STG.2.1

The TSF shall protect the stored audit records in the audit trail from unauthorised deletion.

FAU_STG.2.2

The TSF shall be able to detect¹⁴ unauthorised modifications to the stored audit records in the audit trail.

FAU_STG.2.3

The TSF shall ensure that all¹⁵ stored audit records will be maintained when the following conditions occur: audit storage exhaustion¹⁶.

6.1.2.2 Cryptographic support (FCS)

FCS_CKM.1/RSA_d_key_gen (Cryptographic key generation)

Hierarchical to: No other components.

Dependencies: [FCS_CKM.2 Cryptographic key distribution, or FCS_COP.1 Cryptographic operation]
FCS_CKM.4 Cryptographic key destruction

FCS_CKM.1.1/RSA_d_key_gen

The TSF shall generate **RSA key pairs**¹⁷ in accordance with a specified cryptographic key generation algorithm distributed RSA¹⁸ and specified cryptographic key sizes 2048, 3072 and 4096 bits¹⁹ that meet the following: [TS 119312], [PKCS #1] and [FIPS 186-4]²⁰.

FCS_CKM.1/RSA_nd_key_gen (Cryptographic key generation)

Hierarchical to: No other components.

Dependencies: [FCS_CKM.2 Cryptographic key distribution, or FCS_COP.1 Cryptographic operation]

¹³[assignment: other audit relevant information]

¹⁴ [selection, choose one of: prevent, detect]

¹⁵[assignment: metric for saving audit records]

¹⁶ [selection: audit storage exhaustion, failure, attack]

¹⁷[refinement: cryptographic keys]

¹⁸[assignment: cryptographic key generation algorithm]

¹⁹[assignment: cryptographic key sizes]

²⁰[assignment: list of standards]

FCS_CKM.4 Cryptographic key destruction

FCS_CKM.1.1/RSA_nd_key_gen

The TSF shall generate **RSA key pairs**²¹ in accordance with a specified cryptographic key generation algorithm non-distributed RSA²² and specified cryptographic key sizes 2048, 3072 and 4096 bits²³ that meet the following: [TS 119312], [PKCS #1] and [FIPS 186-4]²⁴.

FCS_CKM.1/AES_key_gen (Cryptographic key generation)

Hierarchical to: No other components.

Dependencies: [FCS_CKM.2 Cryptographic key distribution, or FCS_COP.1 Cryptographic operation]
FCS_CKM.4 Cryptographic key destruction

FCS_CKM.1.1/AES_key_gen

The TSF shall generate **AES keys**²⁵ in accordance with a specified cryptographic key generation algorithm using an approved random number generator²⁶ and specified cryptographic key sizes 256 bits²⁷ that meet the following: [SP800-57]²⁸.

FCS_CKM.1/3DES_key_gen (Cryptographic key generation)

Hierarchical to: No other components.

Dependencies: [FCS_CKM.2 Cryptographic key distribution, or FCS_COP.1 Cryptographic operation]
FCS_CKM.4 Cryptographic key destruction

FCS_CKM.1.1/3DES_key_gen

The TSF shall generate **3DES keys**²⁹ in accordance with a specified cryptographic key generation algorithm using an approved random number generator³⁰ and specified cryptographic key sizes 112 and 168 bits³¹ that meet the following: [SP800-57]³².

FCS_CKM.1/EC_key_gen (Cryptographic key generation)

Hierarchical to: No other components.

Dependencies: [FCS_CKM.2 Cryptographic key distribution, or FCS_COP.1 Cryptographic operation]
FCS_CKM.4 Cryptographic key destruction

FCS_CKM.1.1/EC_key_gen

The TSF shall generate **elliptic-curve key-pairs**³³ in accordance with a specified cryptographic key generation algorithm using an approved random number generator³⁴ and specified cryptographic key sizes 112 to 571 bits³⁵ that meet the following: [SP800-56A]³⁶.

FCS_CKM.1/TOTP_shared_secret (Cryptographic key generation)

Hierarchical to: No other components.

²¹The refinement substitutes “cryptographic keys” by “RSA key pairs” because it clearly addresses the RSA key pairs key generation.

²²[assignment: cryptographic key generation algorithm]

²³[assignment: cryptographic key sizes]

²⁴[assignment: list of standards]

²⁵The refinement substitutes “cryptographic keys” by “AES keys” because it clearly addresses the AES key generation.

²⁶[assignment: cryptographic key generation algorithm]

²⁷[assignment: cryptographic key sizes]

²⁸[assignment: list of standards]

²⁹The refinement substitutes “cryptographic keys” by “AES keys” because it clearly addresses the AES key generation.

³⁰[assignment: cryptographic key generation algorithm]

³¹[assignment: cryptographic key sizes]

³²[assignment: list of standards]

³³The refinement substitutes “cryptographic keys” by “AES keys” because it clearly addresses the AES key generation.

³⁴[assignment: cryptographic key generation algorithm]

³⁵[assignment: cryptographic key sizes]

³⁶[assignment: list of standards]

Dependencies: [FCS_CKM.2 Cryptographic key distribution, or FCS_COP.1 Cryptographic operation]
FCS_CKM.4 Cryptographic key destruction

FCS_CKM.1.1/TOTP_shared_secret

The TSF shall generate **TOTP_shared secrets**³⁷ in accordance with a specified cryptographic key generation algorithm using an approved random number generator³⁸ and specified cryptographic key sizes 256 bits³⁹ that meet the following: [SP800-57] and [RFC4226]⁴⁰.

FCS_CKM.1/TLS_key_gen (Cryptographic key generation)

Hierarchical to: No other components.

Dependencies: [FCS_CKM.2 Cryptographic key distribution, or FCS_COP.1 Cryptographic operation]
FCS_CKM.4 Cryptographic key destruction

FCS_CKM.1.1/TLS_key_gen

The TSF shall generate **master secrets**⁴¹ in accordance with a specified cryptographic key generation algorithm PRF⁴² and specified cryptographic key sizes 384 bits (48 bytes)⁴³ that meet the following: [RFC5246]⁴⁴.

FCS_CKM.4/CM (Cryptographic key destruction)

Hierarchical to: No other components.

Dependencies: [FDP_ITC.1 Import of user data without security attributes, or
FDP_ITC.2 Import of user data with security attributes, or
FCS_CKM.1 Cryptographic key generation]

FCS_CKM.4.1/CM

The TSF shall destroy cryptographic keys in accordance with a specified cryptographic key destruction method zeroization⁴⁵ that meets the following: [FIPS 140-2], section 4.7.6⁴⁶.

FCS_COP.1/RSA_d_digsig (Cryptographic operation)

Hierarchical to: No other components.

Dependencies: [FDP_ITC.1 Import of user data without security attributes, or
FDP_ITC.2 Import of user data with security attributes, or
FCS_CKM.1 Cryptographic key generation]
FCS_CKM.4 Cryptographic key destruction

FCS_COP.1.1/RSA_d_digsig

The TSF shall perform creation of digital signature and seal⁴⁷ in accordance with a specified cryptographic algorithm distributed RSA signature generation⁴⁸ and cryptographic key sizes 2048, 3072 and 4096 bits⁴⁹ that meet the following: [TS 119312], RSASSA-PKCS1-v1_5 according to [PKCS #1] and [FIPS 186-4]⁵⁰.

FCS_COP.1/RSA_nd_digsig (Cryptographic operation)

³⁷[refinement: cryptographic keys]

³⁸[assignment: cryptographic key generation algorithm]

³⁹[assignment: cryptographic key sizes]

⁴⁰[assignment: list of standards]

⁴¹The refinement substitutes “cryptographic keys” by “master secrets” because it clearly addresses the master secrets generation.

⁴²[assignment: cryptographic key generation algorithm]

⁴³[assignment: cryptographic key sizes]

⁴⁴[assignment: list of standards]

⁴⁵[assignment: cryptographic key destruction method]

⁴⁶[assignment: list of standards]

⁴⁷[assignment: list of cryptographic operations]

⁴⁸[assignment: cryptographic algorithm]

⁴⁹[assignment: cryptographic key sizes]

⁵⁰[assignment: list of standards]

Hierarchical to: No other components.

Dependencies: [FDP_ITC.1 Import of user data without security attributes, or
FDP_ITC.2 Import of user data with security attributes, or
FCS_CKM.1 Cryptographic key generation]
FCS_CKM.4 Cryptographic key destruction

FCS_COP.1.1/RSA_nd_digsig

The TSF shall perform creation of digital signature and seal⁵¹ in accordance with a specified cryptographic algorithm non-distributed RSA signature generation⁵² and cryptographic key sizes 2048, 3072 and 4096 bits⁵³ that meet the following: [TS 119312], RSASSA-PKCS1-v1_5 according to [PKCS #1] and [FIPS 186-4]⁵⁴.

FCS_COP.1/RSA_validate_digsig (Cryptographic operation)

Hierarchical to: No other components.

Dependencies: [FDP_ITC.1 Import of user data without security attributes, or
FDP_ITC.2 Import of user data with security attributes, or
FCS_CKM.1 Cryptographic key generation]
FCS_CKM.4 Cryptographic key destruction

FCS_COP.1.1/RSA_validate_digsig

The TSF shall perform verification of digital signatures and seals⁵⁵ in accordance with a specified cryptographic algorithm RSA signature verification⁵⁶ and cryptographic key sizes 2048, 3072 and 4096 bits⁵⁷ that meet the following: [TS 119312], RSASSA-PKCS1-v1_5 according to [PKCS#1] and [FIPS 186-4]⁵⁸.

FCS_COP.1/ECDSA (Cryptographic operation)

Hierarchical to: No other components.

Dependencies: [FDP_ITC.1 Import of user data without security attributes, or
FDP_ITC.2 Import of user data with security attributes, or
FCS_CKM.1 Cryptographic key generation]
FCS_CKM.4 Cryptographic key destruction

FCS_COP.1.1/ECDSA

The TSF shall perform digital signature creation and verification⁵⁹ in accordance with a specified cryptographic algorithm ECDSA / ECC over GF(p) and over GF(2^m)⁶⁰ and cryptographic key sizes: 208, 224, 233, 239, 256, 272, 283, 304, 359, 384, 409, 431, 521 and 571 bits⁶¹ that meet the following: [FIPS 186-4]⁶².

FCS_COP.1/ECDH (Cryptographic operation)

Hierarchical to: No other components.

Dependencies: [FDP_ITC.1 Import of user data without security attributes, or
FDP_ITC.2 Import of user data with security attributes, or
FCS_CKM.1 Cryptographic key generation]

⁵¹[assignment: list of cryptographic operations]

⁵²[assignment: cryptographic algorithm]

⁵³[assignment: cryptographic key sizes]

⁵⁴[assignment: list of standards]

⁵⁵[assignment: list of cryptographic operations]

⁵⁶[assignment: cryptographic algorithm]

⁵⁷[assignment: cryptographic key sizes]

⁵⁸[assignment: list of standards]

⁵⁹[assignment: list of cryptographic operations]

⁶⁰[assignment: cryptographic algorithm]

⁶¹[assignment: cryptographic key sizes]

⁶²[assignment: list of standards]

FCS_CKM.4 Cryptographic key destruction

FCS_COP.1.1/ECDH

The TSF shall perform Elliptic-curve Diffie–Hellman (ECDH) key exchange⁶³ in accordance with a specified cryptographic algorithm ECC over GF(p) and over GF(2^m)⁶⁴ and cryptographic key sizes: 224, 233, 256, 283, 384, 409, 521, 571 bits⁶⁵ that meet the following: [SP800-56A]⁶⁶.

FCS_COP.1/hash (Cryptographic operation)

Hierarchical to: No other components.

Dependencies: [FDP_ITC.1 Import of user data without security attributes, or
FDP_ITC.2 Import of user data with security attributes, or
FCS_CKM.1 Cryptographic key generation]
FCS_CKM.4 Cryptographic key destruction

FCS_COP.1.1/hash

The TSF shall perform cryptographic hash function⁶⁷ in accordance with a specified cryptographic algorithm SHA-1, SHA-224, SHA256, SHA384, SHA512⁶⁸ and cryptographic key sizes none⁶⁹ that meet the following: [TS 119312] and [FIPS 186-4]⁷⁰.

FCS_COP.1/keyed-hash (Cryptographic Operation)

Hierarchical to: No other components.

Dependencies: [FDP_ITC.1 Import of user data without security attributes, or
FDP_ITC.2 Import of user data with security attributes, or
FCS_CKM.1 Cryptographic key generation]
FCS_CKM.4 Cryptographic key destruction

FCS_COP.1.1/keyed-hash

The TSF shall perform keyed-hash message authentication⁷¹ in accordance with a specified cryptographic algorithm HMAC SHA-1, HMAC SHA224, HMAC SHA256, HMAC-512⁷² and cryptographic key sizes: 384 bits (48 bytes)⁷³ and message digest sizes: 160, 224, 256, 512 bits⁷⁴ that meet the following: [RFC 2104]⁷⁵.

FCS_COP.1/AES_enc_dec (Cryptographic operation)

Hierarchical to: No other components.

Dependencies: [FDP_ITC.1 Import of user data without security attributes, or
FDP_ITC.2 Import of user data with security attributes, or
FCS_CKM.1 Cryptographic key generation]
FCS_CKM.4 Cryptographic key destruction

FCS_COP.1.1/AES_enc_dec

The TSF shall perform secure messaging - encryption and decryption⁷⁶ in accordance with a specified cryptographic algorithm AES in CBC, CCM, CFB1, CFB8, CFB, CTR, ECB, GCM,

⁶³[assignment: list of cryptographic operations]

⁶⁴[assignment: cryptographic algorithm]

⁶⁵[assignment: cryptographic key sizes]

⁶⁶[assignment: list of standards]

⁶⁷[assignment: list of cryptographic operations]

⁶⁸[assignment: cryptographic algorithm]

⁶⁹[assignment: cryptographic key sizes]

⁷⁰[assignment: list of standards]

⁷¹[assignment: list of cryptographic operations]

⁷²[assignment: cryptographic algorithm]

⁷³ [assignment: cryptographic key sizes]

⁷⁴ [refinement]

⁷⁵[assignment: list of standards]

⁷⁶[assignment: list of cryptographic operations]

OFB, XTS mode⁷⁷ and cryptographic key sizes 128, 192 and 256 bits⁷⁸ that meet the following: [FIPS 197] and [SP 800-38A]⁷⁹.

FCS_COP.1/3DES_enc_dec (Cryptographic operation)

Hierarchical to: No other components.

Dependencies: [FDP_ITC.1 Import of user data without security attributes, or
FDP_ITC.2 Import of user data with security attributes, or
FCS_CKM.1 Cryptographic key generation]
FCS_CKM.4 Cryptographic key destruction

FCS_COP.1.1/3DES_enc_dec

The TSF shall perform secure messaging - encryption and decryption⁸⁰ in accordance with a specified cryptographic algorithm 3DES in ECB, CBC, CFB1, CFB8, CFB, OFB mode⁸¹ and cryptographic key sizes 192 bits⁸² that meet the following: [SP 800-38A]⁸³.

FCS_COP.1/RSA_d_dec (Cryptographic operation)

Hierarchical to: No other components.

Dependencies: [FDP_ITC.1 Import of user data without security attributes, or
FDP_ITC.2 Import of user data with security attributes, or
FCS_CKM.1 Cryptographic key generation]
FCS_CKM.4 Cryptographic key destruction

FCS_COP.1.1/RSA_d_dec

The TSF shall perform distributed decryption⁸⁴ in accordance with a specified cryptographic algorithm RSAES-PKCS1-v1_5⁸⁵ and cryptographic key sizes 2048, 3072, 4096 bits⁸⁶ that meet the following: [PKCS#1]⁸⁷.

FCS_COP.1/RSA_nd_dec (Cryptographic operation)

Hierarchical to: No other components.

Dependencies: [FDP_ITC.1 Import of user data without security attributes, or
FDP_ITC.2 Import of user data with security attributes, or
FCS_CKM.1 Cryptographic key generation]
FCS_CKM.4 Cryptographic key destruction

FCS_COP.1.1/RSA_nd_dec

The TSF shall perform non-distributed decryption⁸⁸ in accordance with a specified cryptographic algorithm RSAES-PKCS1-v1_5⁸⁹ and cryptographic key sizes 2048 bits⁹⁰ that meet the following: [PKCS#1]⁹¹.

⁷⁷[assignment: cryptographic algorithm]

⁷⁸[assignment: cryptographic key sizes]

⁷⁹[assignment: list of standards]

⁸⁰[assignment: list of cryptographic operations]

⁸¹[assignment: cryptographic algorithm]

⁸²[assignment: cryptographic key sizes]

⁸³[assignment: list of standards]

⁸⁴[assignment: list of cryptographic operations]

⁸⁵[assignment: cryptographic algorithm]

⁸⁶[assignment: cryptographic key sizes]

⁸⁷[assignment: list of standards]

⁸⁸[assignment: list of cryptographic operations]

⁸⁹[assignment: cryptographic algorithm]

⁹⁰[assignment: cryptographic key sizes]

⁹¹[assignment: list of standards]

FCS_COP.1/RSA_nd_enc (Cryptographic operation)

Hierarchical to: No other components.

Dependencies: [FDP_ITC.1 Import of user data without security attributes, or
FDP_ITC.2 Import of user data with security attributes, or
FCS_CKM.1 Cryptographic key generation]
FCS_CKM.4 Cryptographic key destruction

FCS_COP.1.1/RSA_enc

The TSF shall perform non-distributed encryption⁹² in accordance with a specified cryptographic algorithm RSAES-PKCS1-v1_5⁹³ and cryptographic key sizes 2048 bits⁹⁴ that meet the following: [PKCS#1]⁹⁵.

FCS_COP.1/key_derivation (Cryptographic operation)

Hierarchical to: No other components.

Dependencies: [FDP_ITC.1 Import of user data without security attributes, or
FDP_ITC.2 Import of user data with security attributes, or
FCS_CKM.1 Cryptographic key generation]
FCS_CKM.4 Cryptographic key destruction

FCS_COP.1.1/key_derivation

The TSF shall perform key derivation⁹⁶ in accordance with a specified cryptographic algorithm PBKDF2⁹⁷ and cryptographic key sizes length of password⁹⁸ that meet the following: [PKCS#5]⁹⁹.

FCS_COP.1/TOTP_verification (Cryptographic operation)

Hierarchical to: No other components.

Dependencies: [FDP_ITC.1 Import of user data without security attributes, or
FDP_ITC.2 Import of user data with security attributes, or
FCS_CKM.1 Cryptographic key generation]
FCS_CKM.4 Cryptographic key destruction

FCS_COP.1.1/TOTP_verification

The TSF shall perform TOTP verification¹⁰⁰ in accordance with a specified cryptographic algorithm HOTP¹⁰¹ and cryptographic key sizes 256 bits¹⁰² that meet the following: [RFC4226] and [RFC6238]¹⁰³.

FCS_COP.1/cmac operation (Cryptographic operation)

Hierarchical to: No other components.

Dependencies: [FDP_ITC.1 Import of user data without security attributes, or
FDP_ITC.2 Import of user data with security attributes, or
FCS_CKM.1 Cryptographic key generation]
FCS_CKM.4 Cryptographic key destruction

FCS_COP.1.1/cmac operation

⁹²[assignment: list of cryptographic operations]

⁹³[assignment: cryptographic algorithm]

⁹⁴[assignment: cryptographic key sizes]

⁹⁵[assignment: list of standards]

⁹⁶[assignment: list of cryptographic operations]

⁹⁷[assignment: cryptographic algorithm]

⁹⁸[assignment: cryptographic key sizes]

⁹⁹[assignment: list of standards]

¹⁰⁰[assignment: list of cryptographic operations]

¹⁰¹[assignment: cryptographic algorithm]

¹⁰²[assignment: cryptographic key sizes]

¹⁰³[assignment: list of standards]

The TSF shall perform cipher-based message authentication code operation¹⁰⁴ in accordance with a specified cryptographic algorithm AES-CMAC¹⁰⁵ and cryptographic key sizes 256 bits¹⁰⁶ that meet the following: [RFC4493]¹⁰⁷.

FCS_RNG.1 (Generation of random numbers)

Hierarchical to: No other components.

Dependencies: No dependencies.

FCS_RNG.1.1

The TSF shall provide a **CTR_DRBG**¹⁰⁸ hybrid deterministic¹⁰⁹ random number generator that implements:

(DRG.4.1) The internal state of the RNG shall use PTRNG of class PTG.2 as random source.

(DRG.4.2) The RNG provides forward secrecy.

(DRG.4.3) The RNG provides backward secrecy even if the current internal state is known.

(DRG.4.4) The RNG provides enhanced forward secrecy after 8 hours.

(DRG.4.5) The internal state of the RNG is seeded by an PTRNG of class PTG.2¹¹⁰.

FCS_RNG.1.2¹¹¹

The TSF shall provide octets of bits¹¹² that meet:

(DRG.4.6) The RNG generates output for which 2³⁴ strings of bit length 128 are mutually different with probability 2⁻¹⁶ probability.

(DRG.4.7) Statistical test suites cannot practically distinguish the random numbers from output sequences of an ideal RNG. The random numbers must pass test procedure A of [AIS31]¹¹³.

¹⁰⁴[assignment: list of cryptographic operations]

¹⁰⁵[assignment: cryptographic algorithm]

¹⁰⁶[assignment: cryptographic key sizes]

¹⁰⁷[assignment: list of standards]

¹⁰⁸ that meet the following: [SP 800-90A]

¹⁰⁹[selection: physical, non-physical true, deterministic, hybrid physical, hybrid deterministic]

¹¹⁰[assignment: list of security capabilities]

¹¹¹ The quality metric required in FCS_RNG.1.2 is detailed in the German Scheme (see [AIS31]).

¹¹²[selection: bits, octets of bits, numbers [assignment: format of the numbers]]

¹¹³[assignment: a defined quality metric]

6.1.2.3 User data protection (FDP)

FDP_IFC.1/KeyBasics (Subset information flow control)

Hierarchical to: No other components.

Dependencies: FDP_IFF.1 Simple security attributes

FDP_IFC.1.1/KeyBasics

The TSF shall enforce the Key Basics SFP¹¹⁴ on

1. subjects: all,
2. information: keys,
3. operations: all¹¹⁵.

FDP_IFF.1/KeyBasics (Simple security attributes)

Hierarchical to: No other components.

Dependencies: FDP_IFC.1 Subset information flow control

FMT_MSA.3 Static attribute initialisation

FDP_IFF.1.1/KeyBasics

The TSF shall enforce the Key Basics SFP¹¹⁶ based on the following types of subject and information security attributes:

1. whether a key is a secret or a public key,
2. whether a secret key is an Assigned Key,
3. whether channels selected to export keys are secure,
4. the value of the Export Flag of a key¹¹⁷.

FDP_IFF.1.2/KeyBasics

The TSF shall permit an information flow between a controlled subject and controlled information via a controlled operation if the following rules hold:

1. Export of secret keys shall only be allowed provided that the secret key is not an Assigned Key, that the secret key is encrypted, and that a secure channel (providing authentication and integrity protection) is used for the export,
2. Public keys shall always be exported with integrity protection of their key value and attributes,
3. Keys shall only be imported over a secure channel (providing authentication and integrity protection),
4. A secret key can only be imported if it is a non-Assigned key,
5. Secret keys shall only be imported in encrypted form or using split-knowledge procedures requiring at least two key components to reconstruct the key, with key components supplied by at least two separately authenticated users,
6. Unblocking access to a key shall not allow any subject other than those authorised to access the key at the time when it was blocked¹¹⁸.

FDP_IFF.1.3/KeyBasics

The TSF shall enforce the **following additional information flow control rules**¹¹⁹:none¹²⁰

¹¹⁴[assignment: information flow control SFP]

¹¹⁵[assignment: list of subjects, information, and operations that cause controlled information to flow to and from controlled subjects covered by the SFP]

¹¹⁶[assignment: information flow control SFP]

¹¹⁷[assignment: list of subjects and information controlled under the indicated SFP, and for each, the security attributes]

¹¹⁸[assignment: for each operation, the security attribute-based relationship that must hold between subject and information security attributes]

¹¹⁹ [refinement]

¹²⁰[assignment: additional information flow control SFP rules]

FDP_IFF.1.4/KeyBasics

The TSF shall explicitly authorise an information flow based on the following rules: none¹²¹

FDP_IFF.1.5/KeyBasics

The TSF shall explicitly deny an information flow based on the following rules:

1. No subject shall be allowed to access the plaintext value of any secret key directly.
2. No subject shall be allowed to export a secret key in plaintext.
3. No subject shall be allowed to export an Assigned Key.
4. No subject shall be allowed to export a secret key without submitting the correct authorisation data for the key.
5. No subject shall be allowed to access intermediate values in any operation that uses a secret key.
6. A key with an Export Flag value marking it as non-exportable shall not be exported¹²²

FDP_ACC.1/KeyUsage (Subset access control)

Hierarchical to: No other components.

Dependencies: FDP_ACF.1 Security attribute based access control

FDP_ACC.1.1/KeyUsage

The TSF shall enforce the KeyUsage_SFP¹²³ on

1. subjects: all,
2. objects: keys,
3. operations: all¹²⁴.

FDP_ACF.1/KeyUsage (Security attribute based access control)

Hierarchical to: No other components.

Dependencies: FDP_ACC.1 Subset access control

FMT_MSA.3 Static attribute initialization

FDP_ACF.1.1/KeyUsage

The TSF shall enforce the KeyUsage_SFP¹²⁵ to objects based on the following:

1. whether the subject is currently authorised to use the secret key,
2. whether the subject is currently authorised to change the attributes of the secret key,
3. the cryptographic function that is attempting to use the secret key¹²⁶.

Application Note 40 (Application Note 22 from [EN 419221-5]: Applied)

Whether a subject is currently authorised for access to a secret key is determined by whether the subject has submitted the correct authorisation data for the key, and whether this authorisation is yet subject to one or more of the re-authorisation conditions in FIA_UAU.6/AKeyAuth for Assigned keys and in FIA_UAU.6/GenKeyAuth for non-Assigned keys.

Whether a subject is currently authorised to change the attributes of a secret key is determined by the iterations of FMT_MSA.1.

FDP_ACF.1.2/KeyUsage

The TSF shall enforce the following rules to determine if an operation among controlled subjects

¹²¹[assignment: rules, based on security attributes, that explicitly authorise information flows]

¹²²[assignment: rules, based on security attributes, that explicitly deny information flows]

¹²³[assignment: access control SFP]

¹²⁴[assignment: list of subjects, objects, and operations among subjects and objects covered by the SFP]

¹²⁵[assignment: access control SFP]

¹²⁶[assignment: list of subjects and objects controlled under the indicated SFP, and for each, the SFP-relevant security attributes, or named groups of SFP-relevant security attributes]

and controlled objects is allowed:

1. Attributes of a key shall only be changed by an authorised subject, and only as permitted in the Key Attributes Modification Table.
2. Only subjects with current authorisation for a specific secret key shall be allowed to carry out operations using the plaintext value of that key.
3. Only cryptographic functions permitted by the secret key's Key Usage attribute shall be carried out using the secret key¹²⁷.

FDP_ACF.1.3/KeyUsage

The TSF shall explicitly authorize access of subjects to objects based on the following additional rules: none¹²⁸.

FDP_ACF.1.4/KeyUsage

The TSF shall explicitly deny access of subjects to objects based on the following additional rules: none¹²⁹.

FDP_ACC.1/CM_Backup (Subset access control)

Hierarchical to: No other components.

Dependencies: FDP_ACF.1 Security attribute based access control

FDP_ACC.1.1/CM_Backup

The TSF shall enforce the Backup SFP¹³⁰ on

1. subjects: all,
2. objects: keys,
3. operations: backup, restore¹³¹.

FDP_ACF.1/CM_Backup (Security attribute based access control)

Hierarchical to: No other components.

Dependencies: FDP_ACC.1 Subset access control

FMT_MSA.3 Static attribute initialization

FDP_ACF.1.1/CM_Backup

The TSF shall enforce the Backup SFP¹³² to objects based on the following:

1. whether the subject is an administrator¹³³.

FDP_ACF.1.2/CM_Backup

The TSF shall enforce the following rules to determine if an operation among controlled subjects and controlled objects is allowed:

1. Only authorised administrators shall be able to perform any backup operation provided by the TSF to create backups of the TSF state or to restore the TSF state from a backup.
2. Any restore of the TSF shall only be possible under at least dual person control, with each person being an administrator,
3. Any backup and restore shall preserve the confidentiality and integrity of the secret keys, and the integrity of public keys.

¹²⁷[assignment: rules governing access among controlled subjects and controlled objects using controlled operations on controlled objects]

¹²⁸[assignment: rules, based on security attributes, that explicitly authorise access of subjects to objects]

¹²⁹[assignment: rules, based on security attributes, that explicitly deny access of subjects to objects]

¹³⁰[assignment: access control SFP]

¹³¹[assignment: list of subjects, objects, and operations among subjects and objects covered by the SFP]

¹³²[assignment: access control SFP]

¹³³[assignment: list of subjects and objects controlled under the indicated SFP, and for each, the SFP-relevant security attributes, or named groups of SFP-relevant security attributes]

4. Any backup and restore operations shall preserve the integrity of the key attributes, and the binding of each set of attributes to its key¹³⁴.

FDP_ACF.1.3/CM_Backup

The TSF shall explicitly authorize access of subjects to objects based on the following additional rules: none¹³⁵.

FDP_ACF.1.4/CM_Backup

The TSF shall explicitly deny access of subjects to objects based on the following additional rules: none¹³⁶.

FDP_SDI.2 (Stored data integrity monitoring and action)

Hierarchical to: FDP_SDI.1 Stored data integrity monitoring.

Dependencies: No dependencies.

FDP_SDI.2.1

The TSF shall monitor user data stored in containers controlled by the TSF for integrity errors¹³⁷ on all **keys (including security attributes)**¹³⁸, based on the following attributes: integrity protection data¹³⁹.

FDP_SDI.2.2

Upon detection of a data integrity error, the TSF shall

1. prohibit the use of the altered data
2. notify the error to the user¹⁴⁰.

FDP_RIP.1 (Subset residual information protection)

Hierarchical to: No other components.

Dependencies: No dependencies.

FDP_RIP.1.1

The TSF shall ensure that any previous information content of a resource is made unavailable upon the de-allocation of the resource from¹⁴¹ the following objects:

1. authorisation data,
2. keys¹⁴².

¹³⁴[assignment: rules governing access among controlled subjects and controlled objects using controlled operations on controlled objects]

¹³⁵[assignment: rules, based on security attributes, that explicitly authorise access of subjects to objects]

¹³⁶[assignment: rules, based on security attributes, that explicitly deny access of subjects to objects]

¹³⁷[assignment: integrity errors]

¹³⁸ refinement: objects

¹³⁹[assignment: user data attributes]

¹⁴⁰[assignment: action to be taken]

¹⁴¹[selection: allocation of the resource to, deallocation of the resource from]

¹⁴²[assignment: list of objects]

6.1.2.4 Identification and authentication (FIA)

FIA_UID.1/CM (Timing of identification)

Hierarchical to: No other components.

Dependencies: No dependencies.

FIA_UID.1.1/CM

The TSF shall allow:

1. Self test according to FPT_TST_EXT.1,
2. Establishing trusted paths among different TOE parts (MPCAs),
3. Establishing a trusted path between External Client Application and the TOE¹⁴³.

on behalf of the user to be performed before the user is identified.

FIA_UID.1.2/CM

The TSF shall require each user to be successfully identified before allowing any other TSF-mediated actions on behalf of that user.

FIA_UAU.1/CM (Timing of authentication)

Hierarchical to: No other components.

Dependencies: FIA_UID.1 Timing of identification.

FIA_UAU.1.1/CM

The TSF shall allow:

1. Self-test according to FPT_TST_EXT.1,
2. Identification of the user by means of TSF required by FIA_UID.1,
3. Establishing trusted paths among different TOE parts (MPCAs),
4. Establishing a trusted path between External Client Application and the TOE¹⁴⁴

on behalf of the user to be performed before the user is authenticated.

FIA_UAU.1.2/CM

The TSF shall require each user to be successfully authenticated before allowing any other TSF-mediated actions on behalf of that user.

FIA_AFL.1/CM_authentication (Authentication failure handling)

Hierarchical to: No other components.

Dependencies: FIA_UAU.1 Timing of authentication

FIA_AFL.1.1/CM_authentication

The TSF shall detect when an administrator configurable positive integer within (3, 20) values¹⁴⁵ unsuccessful authentication attempts occur related to consecutive failed authentication attempts¹⁴⁶.

FIA_AFL.1.2/CM_authentication

When the defined number of unsuccessful authentication attempts has been met¹⁴⁷ the TSF shall block access to any TSF-mediated function until unblocked by Administrator¹⁴⁸.

FIA_AFL.1/CM_authorisation (Authentication failure handling)

¹⁴³[assignment: list of additional TSF-mediated actions]

¹⁴⁴[assignment: list of additional TSF-mediated actions]

¹⁴⁵[selection: [assignment: positive integer number], an administrator configurable positive integer within[assignment: range of acceptable values]]

¹⁴⁶[assignment: list of authentication events]

¹⁴⁷[selection: met, surpassed]

¹⁴⁸[assignment: list of actions]

Hierarchical to: No other components.

Dependencies: FIA_UAU.1 Timing of authentication

FIA_AFL.1.1/CM_authorisation The TSF shall detect when an administrator configurable positive integer within (3, 20) values¹⁴⁹ unsuccessful **authorisation**¹⁵⁰ attempts occur related to consecutive failed authorisation attempts¹⁵¹.

FIA_AFL.1.2/CM_authorisation

When the defined number of unsuccessful **authorisation**¹⁵² attempts has been met¹⁵³ the TSF shall block access to the related key until unblocked by Administrator¹⁵⁴.

FIA_UAU.6/AKeyAuth (Re-authenticating)

Hierarchical to: No other components.

Dependencies: No dependencies.

FIA_UAU.6.1/AKeyAuth

The TSF shall **authorise and re-authorise**¹⁵⁵ the user **for access to a secret key**¹⁵⁶ under the conditions:

1. Authorisation in order to be granted initial access to the key; and
2. Re-authorisation of all Assigned¹⁵⁷ keys under the following conditions:
 - after expiry of the time period (as specified in the key's attributes) for which the secret key was last authorised;
 - after the number of uses of the secret key (as specified in the key's attributes) for which the secret key was last authorised has already been made; and
 - after explicit rescinding of previous authorisation for access to the secret key¹⁵⁸.

FIA_UAU.6/GenKeyAuth (Re-authenticating)

Hierarchical to: No other components.

Dependencies: No dependencies.

FIA_UAU.6.1/GenKeyAuth

The TSF shall **authorise and re-authorise**¹⁵⁹ the user **for access to a secret key**¹⁶⁰ under the conditions:

1. Authorisation in order to be granted initial access to the key; and
2. Re-authorisation of all non-Assigned¹⁶¹ keys under the following conditions:
 - after expiry of an administrator configurable time period for which the secret key was last authorized (in case of this value equals to 0, there is no expiry at all);
 - after an administrator configurable number of uses of the secret key for which the secret key was last authorised has already been made; (in case of this value equals to 0, there is no expiry at all)¹⁶².

¹⁴⁹[selection: [assignment: positive integer number], an administrator configurable positive integer within[assignment: range of acceptable values]]

¹⁵⁰[refinement: authentication]

¹⁵¹[assignment: list of authentication events]

¹⁵²[refinement: authentication]

¹⁵³[selection: met, surpassed]

¹⁵⁴[assignment: list of actions]

¹⁵⁵[refinement: re-authenticate]

¹⁵⁶[refinement]

¹⁵⁷[refinement]

¹⁵⁸[assignment: list of conditions under which re-authentication is required]

¹⁵⁹[refinement: re-authenticate]

¹⁶⁰[refinement]

¹⁶¹[refinement]

¹⁶²[assignment: list of conditions under which re-authentication is required]

6.1.2.5 Security management (FMT)

FMT_SMR.1/CM (Security roles)

Hierarchical to: No other components.
 Dependencies: FIA_UID.1 Timing of identification.

FMT_SMR.1.1/CM

The TSF shall maintain the roles Administrator, Local Client Application, External Client Application, Key User¹⁶³.

FMT_SMR.1.2/CM

The TSF shall be able to associate users with roles.

FMT_SMF.1/CM (Security management functions)

Hierarchical to: No other components.
 Dependencies: No dependencies.

FMT_SMF.1.1/CM

The TSF shall be capable of performing the following management functions:

1. Unblock of access due to authentication or authorisation failures,
2. Modifying attributes of keys,
3. Export and deletion of the audit data, which can take place only under the control of the Administrator role,
4. Backup and restore functions,
5. key import function,
6. key export function,
7. **User management,**
8. **Configuration management**^{164 165}.

FMT_MTD.1/Unblock (Management of TSF data)

Hierarchical to: No other components.
 Dependencies: FMT_SMR.1 Security roles
 FMT_SMF.1 Specification of Management Functions

FMT_MTD.1.1/Unblock

The TSF shall restrict the ability to unblock¹⁶⁶ the TSF data in the Table 6.2¹⁶⁷ to Administrator¹⁶⁸.

TSF data	user	key
user accounts (as in FIA_UAU.1) blocked by authentication failures	Administrator Key User	
keys (as in FIA_UAU.6/AKeyAuth) blocked by authorisation failures		Assigned Key
keys (as in FIA_UAU.6/GenKeyAuth) blocked by authorisation failures		General Key
keys (as in FIA_UAU.6/AKeyAuth) blocked by re-authorisation failures		Assigned Key
keys (as in FIA_UAU.6/GenKeyAuth) blocked by re-authorisation failures		General Key

Table 6.2 TSF data related to the unblocking

¹⁶³ CC: [assignment: the authorised identified roles], PP: [Administrator, [selection: Local Client Application, External Client Application], Key User, [assignment: list of additional authorised identified roles]]

¹⁶⁴ [refinement]

¹⁶⁵[assignment: list of management functions to be provided by the TSF]

¹⁶⁶[selection: change default, query, modify, delete, clear, [assignment: other operations]]

¹⁶⁷[assignment: list of TSF data]

¹⁶⁸[assignment: the authorized identified roles]

FMT_MTD.1/AuditLog (Management of TSF data)

Hierarchical to: No other components.

Dependencies: FMT_SMR.1 Security roles
FMT_SMF.1 Specification of Management Functions

FMT_MTD.1.1/AuditLog

The TSF shall restrict the ability to control export and deletion of¹⁶⁹ the audit log records¹⁷⁰ to the Administrator role¹⁷¹.

FMT_MSA.1/GenKeys (Management of security attributes)

Hierarchical to: No other components.

Dependencies: [FDP_ACC.1 Subset access control, or FDP_IFC.1 Subset information flow control]
FMT_SMR.1 Security roles
FMT_SMF.1 Specification of Management Functions

FMT_MSA.1.1/GenKeys

The TSF shall enforce the Key Usage SFP¹⁷² to restrict the ability to modify¹⁷³ the security attributes Uprotected Flag, Authorisation Data and Operational Flag¹⁷⁴ to:

- Key User modifies his/her Uprotected Flag with (first used) chgkeypwd CMAPI command.
- Key User modifies his/her Authorisation Data with chgkeypwd CMAPI command.
- Key User modifies his/her Operational Flag with setkeyopstate CMAPI command¹⁷⁵.

FMT_MSA.1/AKeys (Management of security attributes)

Hierarchical to: No other components.

Dependencies: [FDP_ACC.1 Subset access control, or FDP_IFC.1 Subset information flow control]
FMT_SMR.1 Security roles
FMT_SMF.1 Specification of Management Functions

FMT_MSA.1.1/AKeys

The TSF shall enforce the Key Usage SFP¹⁷⁶ to restrict the ability to modify¹⁷⁷ the security attributes Uprotected Flag, Authorisation Data and Operational Flag¹⁷⁸ to:

- Key User modifies his/her Uprotected Flag with (first used) chgkeypwd CMAPI command.
- Key User modifies his/her Authorisation Data with chgkeypwd CMAPI command.
- Key User modifies his/her Operational Flag with setkeyopstate CMAPI command¹⁷⁹.

FMT_MSA.3/Keys (Static attribute initialization)

Hierarchical to: No other components.

Dependencies: FMT_MSA.1 Management of security attributes
FMT_SMR.1 Security roles

¹⁶⁹[selection: change default, query, modify, delete, clear, [assignment: other operations]]

¹⁷⁰[assignment: list of TSF data]

¹⁷¹[assignment: the authorized identified roles]

¹⁷²[assignment: access control SFP(s), information flow control SFP(s)]

¹⁷³[selection: change default, query, modify, delete, [assignment: other operations]]

¹⁷⁴[assignment: list of security attributes, to include attributes as specified in the Key Attributes Modification Table]

¹⁷⁵[assignment: list of subjects, objects, and operations among subjects and General Keys, to include at least the constraints specified in the Key Attributes Modification Table]]

¹⁷⁶[assignment: access control SFP(s), information flow control SFP(s)]

¹⁷⁷[selection: change default, query, modify, delete, [assignment: other operations]]

¹⁷⁸[assignment: list of security attributes, to include attributes as specified in the Key Attributes Modification Table]

¹⁷⁹[assignment: list of subjects, objects, and operations among subjects and Assigned Keys to include at least the constraints specified in the Key Attributes Modification Table]

FMT_MSA.3.1/Keys

The TSF shall enforce the Key Usage SFP¹⁸⁰ to provide restrictive¹⁸¹ default values for security attributes that are used to enforce the SFP.

FMT_MSA.3.2/Keys

The TSF shall allow Administrator¹⁸² to specify alternative initial values to override the default values when an object or information is created.

Application Note 41

The Administrator can specify alternative initial values for the following security attributes:

1. Key Usage (“Signing” or “General”)

Key Attribute (MSA.1)	Assigned Key	General Key
Key ID	Initialised by generation process	Initialised by generation process
Owner ID	Initialised by generation process	Initialised by generation process
Key Type	Initialised by generation process	Initialised by generation process
Authorisation Data	Initialised by authenticated Key User (the owner of the key)	Initialised by authenticated Key User (the owner of the key)
Re-authorisation conditions	Initialised by generation process	Initialised by generation process
Key Usage	Initialised by creator during generation	Initialised by creator during generation
Assigned Flag	Initialised by generation process (Assigned)	Initialised by generation process (Non-assigned)
Uprotected Flag	Initialised by generation process	Initialised by generation process
Operational Flag	Initialised by generation process	Initialised by generation process
Integrity Protection Data	Initialised automatically by TSF	Initialised automatically by TSF

Table 6.3 Key Attributes Initialisation Table

Key Attribute (MSA.1)	Assigned Key	General Key
Key ID	Cannot be modified	Cannot be modified
Owner ID	Cannot be modified	Cannot be modified
Key Type	Cannot be modified	Cannot be modified
Authorisation Data	Modified only when modification operation includes successful validation of current (pre-modification) authorisation data	Modified only when modification operation includes successful validation of current (pre-modification) authorisation data
Re-authorisation conditions	Cannot be modified	Cannot be modified
Key Usage	Cannot be modified	Cannot be modified
Assigned Flag	Cannot be modified	Cannot be modified
Uprotected Flag	Modified only when the Key User establishes his/her Authorisation Data	Modified only when the Key User establishes his/her Authorisation Data
Operational Flag	Can be modified only by Key User	Can be modified only by Key User

¹⁸⁰[assignment: access control SFP, information flow control SFP]

¹⁸¹[selection: choose one of: restrictive, permissive, [assignment: other property]]

¹⁸²[assignment: the authorized identified roles, according to the constraints in the Key Attributes Initialisation Table]

Key Attribute (MSA.1)	Assigned Key	General Key
Integrity Protection Data	Cannot be modified by users (maintained automatically by TSF)	Cannot be modified by users (maintained automatically by TSF)

Table 6.4 Key Attributes Modification Table

Application Note 42

Key ID (key identifier) uniquely identifies the key within the system of which the CM is a part.

Owner ID identifies the Key User who owns the key.

Key Type identifies whether the key is a AES, 3DES, RSA or EC key.

Authorisation data: value of data that allows a secret key to be used for cryptographic operations.

The CM does not store the value of the Authorisation data, but uses it for encrypt/decrypt (share of) the key.

Re-authorisation conditions: the constraints on uses of the key that can be made before reauthorisation is required according to FIA_UAU.6/AKeyAuth for Assigned keys and FIA_UAU.6/GenKeyAuth for non-Assigned keys, and which determine whether a subject is currently authorised to use a key.

Key Usage: the cryptographic functions that are allowed to use the key in FDP_ACF.1/KeyUsage.

Export flag: indicates whether the key is allowed to be exported (cf. FDP_IFF.1/KeyBasics); allowed values are referred to in this ST as ‘exportable (meaning export is allowed) and ‘non-exportable’ (meaning export is not allowed)

Assigned flag indicates whether the key has currently been assigned. For an Assigned Key its authorisation data can only be changed on successful validation of the current authorisation data – it cannot be changed or reset by an Administrator – and the re-authorisation conditions and key usage attributes cannot be changed; allowed values are ‘assigned’ and ‘non-assigned’.

Unprotected Flag indicates whether the stored key is protected only with an infrastructural key, or additionally with a password established by the key’s owner. This flag is initialised by key generation process, setting its value to “no”. When the Key User (key’s owner) establishes his/her Authorisation Data, the value of this flag is set to “yes”.

Operational Flag indicates whether the key is in operational state. This flag is initialised by key generation process to “non-operational”. A key can be used for cryptographic operations only in “operational” state. Only the Key User (key’s owner) is able to change the value of this flag from “non-operational” to “operational” and vice versa.

Integrity Protection Data is a digital signature created by an infrastructural key for key data record which contains the key and its attributes.

6.1.2.6 Protection of the TSF (FPT)

FPT_STM.1/CM (Reliable time stamps)

Hierarchical to: No other components.

Dependencies: No dependencies.

FPT_STM.1.1/CM

The TSF shall be able to provide reliable time stamps.

FPT_TST_EXT.1 (Basic TSF Self Testing)

Hierarchical to: No other components.

Dependencies: No dependencies.

FPT_TST_EXT.1.1

The TSF shall run a suite of the following self-tests during initial start-up (or power-on).

periodically during normal operation, at the request of the authorised user, and at the conditions specified below¹⁸³ to demonstrate the correct operation of the TSF:

- At initial start-up (or power-on):
 - Software/firmware integrity tests
 - Cryptographic algorithm tests (known answer tests)
 - Random number generator tests
 - RSA pair-wise consistency tests for infrastructural keys
 - Checking the environmental resources (e.g. available storage capacity, network)
 - Configuration file integrity test
 - Checking the database consistency among different TOE parts (in case of multi-party configuration)
 - Checking the expiration date of stored certificates
- Periodically during normal operation (when frequency of the test depends on an administrator configurable value):
 - RSA pair-wise consistency tests for infrastructural keys
 - Checking whether the environmental conditions are outside normal operating range (including temperature and power)
 - Checking the database consistency among different TOE parts (in case of multi-party configuration)
- At the condition:
 - RSA pair-wise consistency tests for signer keys (during the RSA key pair generation)
 - Random number generator tests (in every 10 day)
 - Checking the environmental resources (e.g. available storage capacity, network) (in every hour)
 - health checks for random number generators (after every 2^{20} generate operations)
 - Examining the state of the CM for a potential tamper event
 - Database records integrity tests (during every read operation)
 - Checking the expiration date of stored certificates (in every hour)¹⁸⁴.

FPT_PHP.1 (Passive detection of physical attack)

Hierarchical to: No other components.

Dependencies: No dependencies.

FPT_PHP.1.1

The TSF shall provide unambiguous detection of physical tampering that might compromise the TSF.

FPT_PHP.1.2

The TSF shall provide the capability to determine whether physical tampering with the TSF's devices or TSF's elements has occurred.

FPT_PHP.3 (Resistance to physical attack)

Hierarchical to: No other components.

Dependencies: No dependencies.

FPT_PHP.3.1

¹⁸³[selection: during initial start-up (on power on), periodically during normal operation, at the request of the authorised user, at the conditions [assignment: conditions under which self-tests should occur]]

¹⁸⁴[assignment: list of additional self-tests run by the TSF]

The TSF shall resist removing the cover¹⁸⁵ to the MPCA¹⁸⁶ by responding automatically such that the SFRs are always enforced.

Application Note 43 (Application Notes 33 and 34 from [EN 419221-5]: Applied)

The level of protection in FPT_PHP.1 and FPT_PHP.3 is equivalent to the level of assessment for this aspect of tamper detection and response required for ISO/IEC 19790:2012 for Security Level 3.

FPT_FLS.1 (Failure with preservation of secure state)

Hierarchical to: No other components.

Dependencies: No dependencies.

FPT_FLS.1.1

The TSF shall preserve a secure state when the following types of failures occur:

1. Self-test according to FPT_TST_EXT.1 fails,
2. Environmental conditions are outside normal operating range (including temperature and power),
3. Failures of the RNG occur,
4. Corruption of TOE software occurs,
5. Integrity error in blocks of audit records occurs,
6. Database inconsistency occurs¹⁸⁷.

6.1.2.7 Trusted path/channels (FTP)

FTP_TRP.1/Local (Trusted Path)

Hierarchical to: No other components.

Dependencies: No dependencies.

FTP_TRP.1.1/Local

The TSF shall provide a communication path between itself and local¹⁸⁸ **client applications**¹⁸⁹ that is logically distinct from other communication paths and provides assured **authentication**¹⁹⁰ of its end points and protection of the communicated data from modification and disclosure¹⁹¹.

FTP_TRP.1.2/Local

The TSF shall permit local client applications¹⁹² to initiate communication via the trusted path.

FTP_TRP.1.3/Local

The TSF shall require the use of the trusted path for: all CMAPI commands¹⁹³.

Application Note 44 (Application Note 29 from [EN 419221-5]: Applied)

Since in the drQSCD CM and local client applications (e.g. SAM and CMbr) are located within the physical boundary of the same hardware appliance then the trusted path may be mapped to the physical configuration. Consequently, this SFR is trivially satisfied because of the physical security assumed in the appliance environment.

In case of using one or more external CM (see 1.3.3.1 for details) CMbr will provide a communication path between itself and the external CM.

¹⁸⁵[assignment: physical tampering scenarios]

¹⁸⁶[assignment: list of TSF devices/elements]

¹⁸⁷[assignment: list of types of failures in the TSF]

¹⁸⁸[selection: remote, local]

¹⁸⁹users

¹⁹⁰identification

¹⁹¹[selection: modification, disclosure, [assignment: other types of integrity or confidentiality violation]]

¹⁹²[selection: the TSF, local users, remote users]

¹⁹³[assignment: services for which trusted path is required].

FTP_TRP.1/Admin (Trusted Path)

Hierarchical to: No other components.

Dependencies: No dependencies.

FTP_TRP.1.1/Admin

The TSF shall provide a communication path between itself and local¹⁹⁴ **Administrator through a trusted IT product**¹⁹⁵ that is logically distinct from other communication paths and provides assured **authentication**¹⁹⁶ of its end points and protection of the communicated data from modification and disclosure¹⁹⁷.

FTP_TRP.1.2/Admin

The TSF shall permit local¹⁹⁸ **Administrator through a trusted IT product**¹⁹⁹ to initiate communication via the trusted path.

FTP_TRP.1.3/Admin

The TSF shall require the use of the trusted path for:

1. User management,
2. Configuration management²⁰⁰.

FTP_TRP.1/External (Trusted Path)

Hierarchical to: No other components.

Dependencies: No dependencies.

FTP_TRP.1.1/External

The TSF shall provide a communication path between itself and remote²⁰¹ **external client applications**²⁰² that is logically distinct from other communication paths and provides assured **authentication**²⁰³ of its end points and protection of the communicated data from modification and disclosure²⁰⁴.

FTP_TRP.1.2/External

The TSF shall permit remote²⁰⁵ **external client applications**²⁰⁶ to initiate communication via the trusted path.

FTP_TRP.1.3/External

The TSF shall require the use of the trusted path for: all CMAPI commands²⁰⁷.

¹⁹⁴ [selection: remote, local]

¹⁹⁵ [refinement: users]

¹⁹⁶ [refinement: identification]

¹⁹⁷ [selection: modification, disclosure, [assignment: other types of integrity or confidentiality violation]]

¹⁹⁸ [selection: the TSF, local users, remote users]

¹⁹⁹ [refinement: users]

²⁰⁰ [selection: initial user authentication, [assignment: other services for which trusted path is required]].

²⁰¹ [selection: remote, local]

²⁰² [refinement: users]

²⁰³ [refinement: identification]

²⁰⁴ [selection: modification, disclosure, [assignment: other types of integrity or confidentiality violation]]

²⁰⁵ [selection: the TSF, local users, remote users]

²⁰⁶ [refinement: users]

²⁰⁷ [selection: initial user authentication, [assignment: other services for which trusted path is required]].

6.1.3 SFRs of the Signature Activation Module (SAM)

The following 3 tables describe the subjects, object and operations supported by the SAM.

Subject	Description
R.Signer	Represents within the TOE, the end user that wants to create a digital signature
R.Privileged_User	Represents within the TOE, a privileged user that can administer the TOE and a few operations relevant for R.Signer

Table 6.5 Subjects of the SAM

Object	Description
R.Reference_Privileged_User_Authentication_Data	Data used by the TOE to authenticate a Privileged_User
R.Reference_Signer_Authentication_Data	Data used by the TOE to authenticate a Signer
R.SVD	The public part of a R.Signer signature key pair
R.Signing_Key_Id	An identifier representing the private part of a R.Signer signature key pair
R.DTBS/R	Data to be signed representation
R.Authorisation_Data	Data used by the Cryptographic Module to activate the private part of a R.Signer signature key pair
R.Signature	The result of a signature operation
R.TSF_DATA	TOE Configuration Data

Table 6.6 Objects of the SAM

Subject	Operation	Object	Description
R.Privileged_User	Create_New_Privileged_User	R.Privileged_User R.Reference_Privileged_User_Authentication_Data	A new privileged user can be created which covers the object representing the new privileged user as well as the object used to authenticate the newly created privileged user.
R.Privileged_User	Create_New_Signer	R.Signer R.Reference_Signer_Authentication_Data	A new signer can be created which covers the object representing the new signer as well as the object used to authenticate the newly created signer.
R.Privileged_User R.Signer	Generate_Signer_Key_Pair	R.Signer R.SVD R.Signing_Key_Id	A key pair can be generated and assigned to a signer.
R.Privileged_User R.Signer	Signer_Maintenance	R.Signer R.SVD R.Signing_Key_Id	A key pair can be deleted from a signer.
R.Privileged_User	Supply_DTBS/R	R.Signer R.DTBS/R	Data to be signed by a signer can be supplied by a privileged user.
R.Signer	Signing	R.Authorisation_Data R.Signer R.Signing_Key_Id R.DTBS/R R.Signature	A signer can sign data to be signed resulting in a signature.
R.Privileged_User	TOE_Maintenance	R.TSF_DATA	The TOE configuration can be maintained by a privileged user.

Table 6.7 Operations supported by the SAM

6.1.3.1 Security audit data generation (FAU)

FAU_GEN.1/SAM (Audit data generation)

Hierarchical to: No other components.

Dependencies: FPT_STM.1 Reliable time stamps

FAU_GEN.1.1/SAM

The TSF shall be able to generate an audit record of the following auditable events:

- a) Start-up and shutdown of the audit functions;
- b) All auditable events for the, not specified²⁰⁸ level of audit; and
- c) Privileged User management;
- d) Privileged User authentication
- e) Signer management;
- f) Signer authentication;
- g) Signing key generation;
- h) Signing key destruction; Signing key activation and usage including the hash of the DTBS and R.Signature;
- i) Change of SAM²⁰⁹ configuration;
- j) Certification request generation;
- k) Failures to establish secure channels between different TOE parts (MPCAs);
- l) Backup and restore (FDP_ACF.1/SAM Backup): use of any backup function, use of any restore function, unsuccessful restore because of detection of modification of the backup data²¹⁰.

FAU_GEN.1.2/SAM

The TSF shall record within each audit record at least the following information:

- a) Date and time of the event, type of event, subject identity (if applicable), and the outcome (success or failure) of the event; and
- b) For each audit event type, based on the auditable event definitions of the functional components included in the ST: type of action performed (success or failure), identity of the role which performs the operation, identifier of the related MPCA, human readable descriptive string about the related event²¹¹.

Application Note 45

Audit trail does not include any data which allow to retrieve sensitive data like R.SAD, R.Reference_Signer_Authentication_Data and R.Authorisation_Data.

FAU_GEN.2/SAM (User identity association)

Hierarchical to: No other components.

Dependencies: FAU_GEN.1 Audit data generation

FIA_UID.1 Timing of identification

FAU_GEN.2.1/SAM

For audit events resulting from actions of identified users, the TSF shall be able to associate each auditable event with the identity of the user that caused the event.

6.1.3.2 Cryptographic support (FCS)

²⁰⁸ [selection, choose one of: minimum, basic, detailed, not specified]

²⁰⁹ [refinement: TOE]

²¹⁰ [assignment: other specifically defined auditable events]

²¹¹ [assignment: other audit relevant information]

FCS_CKM.1/invoke_CM:RSA_d_key_gen (Cryptographic key generation)

Hierarchical to: No other components.

Dependencies: [FCS_CKM.2 Cryptographic key distribution, or FCS_COP.1 Cryptographic operation]
FCS_CKM.4 Cryptographic key destruction

FCS_CKM.1.1/invoke_CM:RSA_d_key_gen

The TSF shall generate **RSA key pairs**²¹² in accordance with a specified cryptographic key generation algorithm distributed RSA²¹³ and specified cryptographic key sizes 2048, 3072 and 4096 bits²¹⁴ that meet the following: [TS 119312], [PKCS#1] and [FIPS 186-4]²¹⁵.

Application Note 46

Although the SAM does not generate distributed RSA key pairs itself, the SFR above expresses the requirement for SAM to invoke the CM with the appropriate parameters whenever key generation is required.

FCS_CKM.1/SAM_RSA_nd_key_gen (Cryptographic key generation)

Hierarchical to: No other components.

Dependencies: [FCS_CKM.2 Cryptographic key distribution, or FCS_COP.1 Cryptographic operation]
FCS_CKM.4 Cryptographic key destruction

FCS_CKM.1.1/SAM_RSA_nd_key_gen

The TSF shall generate **RSA key pairs**²¹⁶ in accordance with a specified cryptographic key generation algorithm non-distributed RSA²¹⁷ and specified cryptographic key sizes 2048 bits²¹⁸ that meet the following: [TS 119312], [PKCS#1] and [FIPS 186-4]²¹⁹.

FCS_CKM.1/SAM_AES_key_gen (Cryptographic key generation)

Hierarchical to: No other components.

Dependencies: [FCS_CKM.2 Cryptographic key distribution, or FCS_COP.1 Cryptographic operation]
FCS_CKM.4 Cryptographic key destruction

FCS_CKM.1.1/SAM_AES_key_gen

The TSF shall generate **AES keys**²²⁰ in accordance with a specified cryptographic key generation algorithm using an approved random number generator²²¹ and specified cryptographic key sizes 256 bits²²² that meet the following: [SP800-57] and [FIPS 186-4]²²³.

FCS_CKM.1/SAM_TLS_key_gen (Cryptographic key generation)

Hierarchical to: No other components.

Dependencies: [FCS_CKM.2 Cryptographic key distribution, or FCS_COP.1 Cryptographic operation]
FCS_CKM.4 Cryptographic key destruction

FCS_CKM.1.1/SAM_TLS_key_gen

The TSF shall generate **master secrets**²²⁴ in accordance with a specified cryptographic key

²¹²[refinement: cryptographic keys]

²¹³[assignment: cryptographic key generation algorithm]

²¹⁴[assignment: cryptographic key sizes]

²¹⁵[assignment: list of standards]

²¹⁶[refinement: cryptographic keys]

²¹⁷[assignment: cryptographic key generation algorithm]

²¹⁸[assignment: cryptographic key sizes]

²¹⁹[assignment: list of standards]

²²⁰[refinement: cryptographic keys]

²²¹[assignment: cryptographic key generation algorithm]

²²²[assignment: cryptographic key sizes]

²²³[assignment: list of standards]

²²⁴ [refinement: cryptographic keys]

generation algorithm PRF²²⁵ and specified cryptographic key sizes 384 bits (48 bytes)²²⁶ that meet the following: [RFC5246]²²⁷.

FCS_CKM.1/invoke_CM:TOTP_shared_secret (Cryptographic key generation)

Hierarchical to: No other components.

Dependencies: [FCS_CKM.2 Cryptographic key distribution, or FCS_COP.1 Cryptographic operation]
FCS_CKM.4 Cryptographic key destruction

FCS_CKM.1.1/invoke_CM:TOTP_shared_secret

The TSF shall generate **TOTP_shared secrets**²²⁸ in accordance with a specified cryptographic key generation algorithm using an approved random number generator²²⁹ and specified cryptographic key sizes 256 bits²³⁰ that meet the following: [SP800-57] and [RFC4226]²³¹.

Application Note 47

Although the SAM does not generate TOTP shared secrets itself, the SFR above expresses the requirement for SAM to invoke the CM with the appropriate parameters whenever key generation is required.

FCS_CKM.4/SAM (Cryptographic key destruction)

Hierarchical to: No other components.

Dependencies: [FDP_ITC.1 Import of user data without security attributes, or
FDP_ITC.2 Import of user data with security attributes, or
FCS_CKM.1 Cryptographic key generation]

FCS_CKM.4.1/SAM

The TSF shall destroy cryptographic keys in accordance with a specified cryptographic key destruction method zeroization²³² that meets the following: [FIPS 140-2], section 4.7.6²³³.

Application Note 48

Although the SAM does not destruct keys itself (besides the shared secret used for OTP validation), this SFR expresses the requirement for SAM to invoke the CM with the appropriate parameters whenever key destruction is required.

FCS_COP.1/invoke_CM:RSA_d_digsig (Cryptographic operation)

Hierarchical to: No other components.

Dependencies: [FDP_ITC.1 Import of user data without security attributes, or
FDP_ITC.2 Import of user data with security attributes, or
FCS_CKM.1 Cryptographic key generation]
FCS_CKM.4 Cryptographic key destruction

FCS_COP.1.1/invoke_CM:RSA_d_digsig

The TSF shall perform creation of digital signature and seal²³⁴ in accordance with a specified cryptographic algorithm distributed RSA signature generation²³⁵ and cryptographic key sizes 2048, 3072 and 4096 bits²³⁶ that meet the following: [TS 119312], RSASSA-PKCS1-v1_5 according to

²²⁵[assignment: cryptographic key generation algorithm]

²²⁶[assignment: cryptographic key sizes]

²²⁷[assignment: list of standards]

²²⁸[refinement: cryptographic keys]

²²⁹[assignment: cryptographic key generation algorithm]

²³⁰[assignment: cryptographic key sizes]

²³¹[assignment: list of standards]

²³²[assignment: cryptographic key destruction method]

²³³[assignment: list of standards]

²³⁴[assignment: list of cryptographic operations]

²³⁵[assignment: cryptographic algorithm]

²³⁶[assignment: cryptographic key sizes]

[PKCS#1] and [FIPS 186-4]²³⁷.

Application Note 49

Although the SAM does not create digital signature or seal itself (in a distributed way), the SFR above expresses the requirement for SAM to invoke the CM with the appropriate parameters whenever creation of a digital signature or a seal is required.

FCS_COP.1/SAM_RSA_nd_digsig (Cryptographic operation)

Hierarchical to: No other components.

Dependencies: [FDP_ITC.1 Import of user data without security attributes, or
FDP_ITC.2 Import of user data with security attributes, or
FCS_CKM.1 Cryptographic key generation]
FCS_CKM.4 Cryptographic key destruction

FCS_COP.1.1/SAM_RSA_nd_digsig

The TSF shall perform creation of digital signature and seal²³⁸ in accordance with a specified cryptographic algorithm non-distributed RSA signature generation²³⁹ and cryptographic key sizes 2048 bits²⁴⁰ that meet the following: [TS 119312], RSASSA-PKCS1-v1_5 according to [PKCS#1] and [FIPS 186-4]²⁴¹.

FCS_COP.1/SAM_RSA_validate_digsig (Cryptographic operation)

Hierarchical to: No other components.

Dependencies: [FDP_ITC.1 Import of user data without security attributes, or
FDP_ITC.2 Import of user data with security attributes, or
FCS_CKM.1 Cryptographic key generation]
FCS_CKM.4 Cryptographic key destruction

FCS_COP.1.1/invoke_CM:RSA_validate_digsig

The TSF shall perform validation of digital signatures and seals²⁴² in accordance with a specified cryptographic algorithm RSA²⁴³ and cryptographic key sizes 2048, 3072 and 4096 bits²⁴⁴ that meet the following: [TS 119312], RSASSA-PKCS1-v1_5 according to [PKCS#1] and [FIPS 186-4]²⁴⁵.

FCS_COP.1/SAM_hash (Cryptographic operation)

Hierarchical to: No other components.

Dependencies: [FDP_ITC.1 Import of user data without security attributes, or
FDP_ITC.2 Import of user data with security attributes, or
FCS_CKM.1 Cryptographic key generation]
FCS_CKM.4 Cryptographic key destruction

FCS_COP.1.1/SAM_hash

The TSF shall perform cryptographic hash function²⁴⁶ in accordance with a specified cryptographic algorithm SHA256, SHA384 and SHA512²⁴⁷ and cryptographic key sizes none²⁴⁸ that meet the following: [TS 119312] and [FIPS 186-4]²⁴⁹.

²³⁷[assignment: list of standards]

²³⁸[assignment: list of cryptographic operations]

²³⁹[assignment: cryptographic algorithm]

²⁴⁰[assignment: cryptographic key sizes]

²⁴¹[assignment: list of standards]

²⁴²[assignment: list of cryptographic operations]

²⁴³[assignment: cryptographic algorithm]

²⁴⁴[assignment: cryptographic key sizes]

²⁴⁵[assignment: list of standards]

²⁴⁶[assignment: list of cryptographic operations]

²⁴⁷[assignment: cryptographic algorithm]

²⁴⁸[assignment: cryptographic key sizes]

²⁴⁹[assignment: list of standards]

FCS_COP.1/SAM_keyed-hash (Cryptographic Operation)

Hierarchical to: No other components.

Dependencies: [FDP_ITC.1 Import of user data without security attributes, or
FDP_ITC.2 Import of user data with security attributes, or
FCS_CKM.1 Cryptographic key generation]
FCS_CKM.4 Cryptographic key destruction

FCS_COP.1.1/SAM_keyed-hash

The TSF shall perform keyed-hash message authentication²⁵⁰ in accordance with a specified cryptographic algorithm HMAC-SHA256²⁵¹ and cryptographic key sizes: 384 bits (48 bytes) and message digest sizes: 256 bits²⁵² that meet the following: [RFC 2104].

FCS_COP.1/SAM_AES_enc_dec (Cryptographic operation)

Hierarchical to: No other components.

Dependencies: [FDP_ITC.1 Import of user data without security attributes, or
FDP_ITC.2 Import of user data with security attributes, or
FCS_CKM.1 Cryptographic key generation]
FCS_CKM.4 Cryptographic key destruction

FCS_COP.1.1/SAM_AES_enc_dec

The TSF shall perform secure messaging - encryption and decryption²⁵³ in accordance with a specified cryptographic algorithm AES in CFB and CFB8 mode²⁵⁴ and cryptographic key sizes 256 bits²⁵⁵ that meet the following: [FIPS 197] and [SP 800-38A]²⁵⁶.

FCS_COP.1/invoke_CM:RSA_d_dec (Cryptographic operation)

Hierarchical to: No other components.

Dependencies: [FDP_ITC.1 Import of user data without security attributes, or
FDP_ITC.2 Import of user data with security attributes, or
FCS_CKM.1 Cryptographic key generation]
FCS_CKM.4 Cryptographic key destruction

FCS_COP.1.1/invoke_CM:RSA_d_dec

The TSF shall perform distributed decryption²⁵⁷ in accordance with a specified cryptographic algorithm RSAPKCS1-v1_5²⁵⁸ and cryptographic key sizes 2048, 3072 and 4096 bits²⁵⁹ that meet the following: [PKCS#1]²⁶⁰.

Application Note 50

Although the SAM does not perform distributed RSA decryption itself, this SFR expresses the requirement for SAM to invoke the CM with the appropriate parameters whenever distributed RSA decryption is required.

FCS_COP.1/SAM_RSA_nd_enc (Cryptographic operation)

Hierarchical to: No other components.

Dependencies: [FDP_ITC.1 Import of user data without security attributes, or

²⁵⁰[assignment: list of cryptographic operations]

²⁵¹[assignment: cryptographic algorithm]

²⁵²[refinement]

²⁵³[assignment: list of cryptographic operations]

²⁵⁴[assignment: cryptographic algorithm]

²⁵⁵[assignment: cryptographic key sizes]

²⁵⁶[assignment: list of standards]

²⁵⁷[assignment: list of cryptographic operations]

²⁵⁸[assignment: cryptographic algorithm]

²⁵⁹[assignment: cryptographic key sizes]

²⁶⁰[assignment: list of standards]

FDP_ITC.2 Import of user data with security attributes, or
FCS_CKM.1 Cryptographic key generation]
FCS_CKM.4 Cryptographic key destruction

FCS_COP.1.1/SAM_RSA_nd_dec

The TSF shall perform non-distributed encryption²⁶¹ in accordance with a specified cryptographic algorithm RSAES-PKCS1-v1_5²⁶² and cryptographic key sizes 2048 bits²⁶³ that meet the following: [PKCS#1]²⁶⁴.

FCS_COP.1/SAM_RSA_nd_dec (Cryptographic operation)

Hierarchical to: No other components.

Dependencies: [FDP_ITC.1 Import of user data without security attributes, or
FDP_ITC.2 Import of user data with security attributes, or
FCS_CKM.1 Cryptographic key generation]
FCS_CKM.4 Cryptographic key destruction

FCS_COP.1.1/SAM_RSA_nd_dec

The TSF shall perform non-distributed decryption²⁶⁵ in accordance with a specified cryptographic algorithm RSAES-PKCS1-v1_5²⁶⁶ and cryptographic key sizes 2048 bits²⁶⁷ that meet the following: [PKCS#1]²⁶⁸.

FCS_COP.1/SAM_key_derivation (Cryptographic operation)

Hierarchical to: No other components.

Dependencies: [FDP_ITC.1 Import of user data without security attributes, or
FDP_ITC.2 Import of user data with security attributes, or
FCS_CKM.1 Cryptographic key generation]
FCS_CKM.4 Cryptographic key destruction

FCS_COP.1.1/SAM_key_derivation

The TSF shall perform key derivation²⁶⁹ in accordance with a specified cryptographic algorithm PBKDF2²⁷⁰ and cryptographic key sizes length of password²⁷¹ that meet the following: [PKCS#5]²⁷².

FCS_COP.1/SAM_TOTP_verification (Cryptographic operation)

Hierarchical to: No other components.

Dependencies: [FDP_ITC.1 Import of user data without security attributes, or
FDP_ITC.2 Import of user data with security attributes, or
FCS_CKM.1 Cryptographic key generation]
FCS_CKM.4 Cryptographic key destruction

FCS_COP.1.1/invoke_CM:TOTP_verification

The TSF shall perform TOTP verification²⁷³ in accordance with a specified cryptographic algorithm

²⁶¹[assignment: list of cryptographic operations]

²⁶²[assignment: cryptographic algorithm]

²⁶³[assignment: cryptographic key sizes]

²⁶⁴[assignment: list of standards]

²⁶⁵[assignment: list of cryptographic operations]

²⁶⁶[assignment: cryptographic algorithm]

²⁶⁷[assignment: cryptographic key sizes]

²⁶⁸[assignment: list of standards]

²⁶⁹[assignment: list of cryptographic operations]

²⁷⁰[assignment: cryptographic algorithm]

²⁷¹[assignment: cryptographic key sizes]

²⁷²[assignment: list of standards]

²⁷³[assignment: list of cryptographic operations]

HOTP²⁷⁴ and cryptographic key sizes 256 bits²⁷⁵ that meet the following: [RFC4226] and [RFC6238]²⁷⁶.

Application Note 51

Although the SAM does not perform TOTP verification itself, this SFR expresses the requirement for SAM to invoke the CM with the appropriate parameters whenever TOTP verification is required (for the Signer's possession-based authentication).

Application Note 52

Since the SAM is implemented as a local application within the same physical boundary as the CM, SFR FCS_RNG.1 does not apply for the SAM (see Application Note 41 in [EN 419241-2]).

6.1.3.3 User data protection (FDP)

FDP_ACC.1/Privileged User Creation (Subset access control)

Hierarchical to: No other components.

Dependencies: FDP_ACF.1 Security attribute based access control

FDP_ACC.1.1/Privileged User Creation

The TSF shall enforce the Privileged User Creation SFP²⁷⁷ on

1. subjects: Privileged User,
2. objects: new security attributes for the Privileged User to be created,
3. operations: Create New Privileged User;

The SAM creates R.Privileged User and R.Reference Privileged User Authentication Data with information transmitted by Privileged User²⁷⁸.

Application Note 53

The initial Privileged User is created with a special command (mpc_initmpcm), which requires a master password, defined during installation phase. Later all Privileged User are able to create a new Privileged User.

FDP_ACF.1/Privileged User Creation (Security attribute based access control)

Hierarchical to: No other components.

Dependencies: FDP_ACC.1 Subset access control

FMT_MSA.3 Static attribute initialization

FDP_ACF.1.1/Privileged User Creation

The TSF shall enforce the Privileged User Creation SFP²⁷⁹ to objects based on the following:

1. Whether the subject is a Privileged User authorized to create a new Privileged User²⁸⁰.

FDP_ACF.1.2/Privileged User Creation

The TSF shall enforce the following rules to determine if an operation among controlled subjects and controlled objects is allowed:

1. Only a Privileged User who has been authorised for creation of new users can carry out the

²⁷⁴[assignment: cryptographic algorithm]

²⁷⁵[assignment: cryptographic key sizes]

²⁷⁶[assignment: list of standards]

²⁷⁷[assignment: access control SFP]

²⁷⁸[assignment: list of subjects, objects, and operations among subjects and objects covered by the SFP]

²⁷⁹[assignment: access control SFP]

²⁸⁰[assignment: list of subjects and objects controlled under the indicated SFP, and for each, the SFP-relevant security attributes, or named groups of SFP-relevant security attributes]

Create_New_Privileged_User operation²⁸¹.

FDP_ACF.1.3/Privileged User Creation

The TSF shall explicitly authorize access of subjects to objects based on the following additional rules: none²⁸².

FDP_ACF.1.4/Privileged User Creation

The TSF shall explicitly deny access of subjects to objects based on the following additional rules: none²⁸³.

FDP_ACC.1/Signer Creation (Subset access control)

Hierarchical to: No other components.

Dependencies: FDP_ACF.1 Security attribute based access control

FDP_ACC.1.1/Signer Creation

The TSF shall enforce the Signer Creation SFP²⁸⁴ on

1. subjects: Privileged User,
2. objects: new security attributes for the Signer to be created,
3. operations: Create_New_Signer:

The SAM creates R.Signer and R.Reference_Signer Authentication Data with information transmitted by Privileged User²⁸⁵.

FDP_ACF.1/Signer Creation (Security attribute based access control)

Hierarchical to: No other components.

Dependencies: FDP_ACC.1 Subset access control

FMT_MSA.3 Static attribute initialization

FDP_ACF.1.1/Signer Creation

The TSF shall enforce the Signer Creation SFP²⁸⁶ to objects based on the following:

1. Whether the subject is a Privileged User authorized to create a new Signer²⁸⁷.

FDP_ACF.1.2/Signer Creation

The TSF shall enforce the following rules to determine if an operation among controlled subjects and controlled objects is allowed:

1. Only a Privileged User who has been authorised for creation of new users can carry out the Create_New_Signer operation²⁸⁸.

FDP_ACF.1.3/Signer Creation

The TSF shall explicitly authorize access of subjects to objects based on the following additional rules: none²⁸⁹.

FDP_ACF.1.4/Signer Creation

²⁸¹[assignment: rules governing access among controlled subjects and controlled objects using controlled operations on controlled objects]

²⁸²[assignment: rules, based on security attributes, that explicitly authorise access of subjects to objects]

²⁸³[assignment: rules, based on security attributes, that explicitly authorise access of subjects to objects]

²⁸⁴[assignment: access control SFP]

²⁸⁵[assignment: list of subjects, objects, and operations among subjects and objects covered by the SFP]

²⁸⁶[assignment: access control SFP]

²⁸⁷[assignment: list of subjects and objects controlled under the indicated SFP, and for each, the SFP-relevant security attributes, or named groups of SFP-relevant security attributes]

²⁸⁸[assignment: rules governing access among controlled subjects and controlled objects using controlled operations on controlled objects]

²⁸⁹[assignment: rules, based on security attributes, that explicitly authorise access of subjects to objects]

The TSF shall explicitly deny access of subjects to objects based on the following additional rules:
none²⁹⁰.

FDP_ACC.1/Signer Maintenance (Subset access control)

Hierarchical to: No other components.

Dependencies: FDP_ACF.1 Security attribute based access control

FDP_ACC.1.1/Signer Maintenance

The TSF shall enforce the Signer Maintenance SFP²⁹¹ on

1. subjects: Privileged User, and Signer
2. objects: The security attributes R.Reference_Signer_Authentication_Data of R.Signer,
3. operations: Signer Maintenance:

The Privileged User or Signer instructs the SAM²⁹² to update R.Reference_Signer_Authentication_Data of R.Signer²⁹³.

FDP_ACF.1/Signer Maintenance (Security attribute based access control)

Hierarchical to: No other components.

Dependencies: FDP_ACC.1 Subset access control

FMT_MSA.3 Static attribute initialization

FDP_ACF.1.1/Signer Maintenance

The TSF shall enforce the Signer Creation policy²⁹⁴ to objects based on the following:

1. Whether the subject is a Privileged User or Signer authorised to maintain the Signer security attributes²⁹⁵.

FDP_ACF.1.2/Signer Maintenance

The TSF shall enforce the following rules to determine if an operation among controlled subjects and controlled objects is allowed:

1. Only a Privileged User or Signer who has been authorised to maintain a Signer can carry out the Signer_Maintenance operation²⁹⁶.

FDP_ACF.1.3/Signer Maintenance

The TSF shall explicitly authorize access of subjects to objects based on the following additional rules:

1. The Signer must be the owner of the R.Signer object to be maintained.²⁹⁷.

FDP_ACF.1.4/Signer Maintenance

The TSF shall explicitly deny access of subjects to objects based on the following additional rules:

- (1) If the Signer does not own the R.Signer object, it can't be maintained²⁹⁸.

Application Note 54

²⁹⁰[assignment: rules, based on security attributes, that explicitly deny access of subjects to objects]

²⁹¹[assignment: access control SFP]

²⁹²[refinement: TOE]

²⁹³[assignment: list of subjects, objects, and operations among subjects and objects covered by the SFP]

²⁹⁴[assignment: access control SFP]

²⁹⁵[assignment: list of subjects and objects controlled under the indicated SFP, and for each, the SFP-relevant security attributes, or named groups of SFP-relevant security attributes]

²⁹⁶[assignment: rules governing access among controlled subjects and controlled objects using controlled operations on controlled objects]

²⁹⁷[assignment: rules governing access among controlled subjects and controlled objects using controlled operations on controlled objects]

²⁹⁸[assignment: rules, based on security attributes, that explicitly deny access of subjects to objects]

The initial R.Reference_Signer_Authentication_Data is created by Privileged User during the Create_New_Signer operation.

Later only Signer is able to modify his own R.Reference_Signer_Authentication_Data.

FDP_ACC.1/Signer Key Pair Generation (Subset access control)

Hierarchical to: No other components.

Dependencies: FDP_ACF.1 Security attribute based access control

FDP_ACC.1.1/Signer Key Pair Generation

The TSF shall enforce the Signer Key Pair Generation SFP²⁹⁹ on

1. subjects: Privileged User and Signer,
2. objects: the security attributes R.SVD and R.Signing_Key_Id as part of R.Signer,
3. operations: Generate_Signer_Key_Pair:

The Privileged User or Signer instructs the SAM³⁰⁰ to request the CM to generate a signing key pair R.Signing_Key_Id and R.SVD and assign them to the R.Signer³⁰¹.

Application Note 55

The R.Authorisation_Data is created by the key owner Signer.

The signing keys can be used in the CM part of the drQSCD.

FDP_ACF.1/Signer Key Pair Generation (Security attribute based access control)

Hierarchical to: No other components.

Dependencies: FDP_ACC.1 Subset access control

FMT_MSA.3 Static attribute initialization

FDP_ACF.1.1/Signer Key Pair Generation

The TSF shall enforce the Signer Key Pair Generation SFP³⁰² to objects based on the following:

1. whether the subject is a Privileged User or Signer authorised to generate a key pair³⁰³.

FDP_ACF.1.2/Signer Key Pair Generation

The TSF shall enforce the following rules to determine if an operation among controlled subjects and controlled objects is allowed:

1. Only a Privileged User or Signer who has been authorised to generate the key pair can carry out the Generate_Signer_Key_Pair operation³⁰⁴.

FDP_ACF.1.3/Signer Key Pair Generation

The TSF shall explicitly authorize access of subjects to objects based on the following additional rules:

1. The Signer must be the owner of the R.Signer object where the key pair is to be generated³⁰⁵.

FDP_ACF.1.4/Signer Key Pair Generation

The TSF shall explicitly deny access of subjects to objects based on the following additional rules:

²⁹⁹[assignment: access control SFP]

³⁰⁰[refinement: TOE]

³⁰¹[assignment: list of subjects, objects, and operations among subjects and objects covered by the SFP]

³⁰²[assignment: access control SFP]

³⁰³[list of subjects and objects controlled under the indicated SFP, and for each, the SFP-relevant security attributes, or named groups of SFP-relevant security attributes]

³⁰⁴[assignment: rules governing access among controlled subjects and controlled objects using controlled operations on controlled objects]

³⁰⁵[assignment: rules, based on security attributes, that explicitly authorise access of subjects to objects]

1. If the Signer does not own the R.Signer object, key pair shall not be generated³⁰⁶.

FDP_ACC.1/Signer Key Pair Deletion (Subset access control)

Hierarchical to: No other components.

Dependencies: FDP_ACF.1 Security attribute based access control

FDP_ACC.1.1/ Signer Key Pair Deletion

The TSF shall enforce the Signer Key Pair Deletion SFP³⁰⁷ on

1. subjects: Privileged User and Signer,
2. objects: the security attributes R.Signing_Key_Id and R.SVD of R.Signer,
3. operations: Signer Key Pair Deletion:

The Privileged User or Signer instructs the SAM³⁰⁸ to delete the R.Signing_Key_Id and R.SVD from R.Signer³⁰⁹.

Application Note 56

Deletion of R.Signing_Key_Id also requires that the signing key is deleted by the CM.

This SFR is limited to covering deletion of the R.Signing_Key_Id and R.SVD of R.Signer performed using one of the interfaces provided by the TOE (SAM).

FDP_ACF.1/Signer Key Pair Deletion (Security attribute based access control)

Hierarchical to: No other components.

Dependencies: FDP_ACC.1 Subset access control

FMT_MSA.3 Static attribute initialization

FDP_ACF.1.1/Signer Key Pair Deletion

The TSF shall enforce the Signer Key Pair Deletion SFP³¹⁰ to objects based on the following:

1. Whether the subject is a Privileged User or Signer authorised to delete the Signer security attributes³¹¹.

FDP_ACF.1.2/Signer Key Pair Deletion

The TSF shall enforce the following rules to determine if an operation among controlled subjects and controlled objects is allowed:

1. Only a Privileged User or Signer who has been authorised to delete a key pair can carry out the Signer Key Pair Deletion operation³¹².

FDP_ACF.1.3/Signer Key Pair Deletion

The TSF shall explicitly authorize access of subjects to objects based on the following additional rules:

1. The Signer must be the owner of the R.Signer object containing the key pair to be deleted³¹³.

FDP_ACF.1.4/Signer Key Pair Deletion

The TSF shall explicitly deny access of subjects to objects based on the following additional rules:

³⁰⁶[assignment: rules, based on security attributes, that explicitly deny access of subjects to objects]

³⁰⁷[assignment: access control SFP]

³⁰⁸[refinement: TOE]

³⁰⁹[assignment: list of subjects, objects, and operations among subjects and objects covered by the SFP]

³¹⁰[assignment: access control SFP]

³¹¹[list of subjects and objects controlled under the indicated SFP, and for each, the SFP-relevant security attributes, or named groups of SFP-relevant security attributes]

³¹²[assignment: list of subjects and objects controlled under the indicated SFP, and for each, the SFP-relevant security attributes, or named groups of SFP-relevant security attributes]

³¹³[assignment: rules, based on security attributes, that explicitly authorise access of subjects to objects]

1. If the Signer does not own the R.Signer object, the key pair can't be deleted³¹⁴.

FDP_ACC.1/Supply DTBS/R (Subset access control)

Hierarchical to: No other components.

Dependencies: FDP_ACF.1 Security attribute based access control

FDP_ACC.1.1/Supply DTBS/R

The TSF shall enforce the Supply DTBS/R policy³¹⁵ on

1. subjects: Privileged User,
2. objects: the security attributes R.DTBS/R of R.Signer,
3. operations: Supply_DTBS/R:

The Privileged User instructs the SAM³¹⁶ to link the supplied DTBS/R to the next signature operation for R.Signer³¹⁷.

FDP_ACF.1/Supply DTBS/R (Security attribute based access control)

Hierarchical to: No other components.

Dependencies: FDP_ACC.1 Subset access control

FMT_MSA.3 Static attribute initialization

FDP_ACF.1.1/Supply DTBS/R

The TSF shall enforce the Supply DTBS/R policy³¹⁸ to objects based on the following:

1. Whether the subject is a Privileged User authorised to supply a DTBS/R³¹⁹.

FDP_ACF.1.2/Supply DTBS/R

The TSF shall enforce the following rules to determine if an operation among controlled subjects and controlled objects is allowed:

1. Only a Privileged User or Signer who has been authorised to supply a DTBS/R can carry out the Supply_DTBS/R operation³²⁰.

FDP_ACF.1.3/Supply DTBS/R

The TSF shall explicitly authorize access of subjects to objects based on the following additional rules: none³²¹.

FDP_ACF.1.4/Supply DTBS/R

The TSF shall explicitly deny access of subjects to objects based on the following additional rules: none³²².

FDP_ACC.1/Signing (Subset access control)

Hierarchical to: No other components.

Dependencies: FDP_ACF.1 Security attribute based access control

FDP_ACC.1.1/Signing

The TSF shall enforce the Signing policy³²³ on

1. subjects: Signer,

³¹⁴[assignment: rules, based on security attributes, that explicitly deny access of subjects to objects]

³¹⁵[assignment: access control SFP]

³¹⁶[refinement: TOE]

³¹⁷[assignment: list of subjects, objects, and operations among subjects and objects covered by the SFP]

³¹⁸[assignment: access control SFP]

³¹⁹[list of subjects and objects controlled under the indicated SFP, and for each, the SFP-relevant security attributes, or named groups of SFP-relevant security attributes]

³²⁰[rules governing access among controlled subjects and controlled objects using controlled operations on controlled objects]

³²¹[assignment: rules, based on security attributes, that explicitly authorise access of subjects to objects]

³²²[assignment: rules, based on security attributes, that explicitly deny access of subjects to objects]

³²³[assignment: access control SFP]

2. objects: R.Authorisation_Data, security attributes R.Signing_Key_Id and R.DTBS/R of R.Signer and R.Signature.,

3. operations: Signing:

The Signer instructs the SAM³²⁴ to perform a signature operation containing the following steps:

- The SAM establish R.Authorisation_Data for the R.Signing_Key_Id.
- The SAM uses the R.Autorisation_Data and R.Signing_Key_Id to activate a signing key in the CM and signs the R.DTBS/R resulting in R.Signature.
- The SAM deactivates the signing key when the signature operation is completed.³²⁵

Application Note 57 (Application Note 53 from [EN 419241-2]: Applied)

Signing key deactivating means that the signer shall authorise any subsequent use of it.

Application Note 58

[drQSCD-ARC] and [drQSCD-TDS] describe how R.Authorisation_Data is used to activate signing keys in the CM and how the DTBS/R(s) is supplied to the SAM.

FDP_ACF.1/Signing

(Security attribute based access control)

Hierarchical to: No other components.

Dependencies: FDP_ACC.1 Subset access control

FMT_MSA.3 Static attribute initialization

FDP_ACF.1.1/Signing

The TSF shall enforce the Signing policy³²⁶ to objects based on the following:

1. Whether the subject is a Signer authorised to create a signature³²⁷.

FDP_ACF.1.2/Signing

The TSF shall enforce the following rules to determine if an operation among controlled subjects and controlled objects is allowed:

1. The R.SAD is verified in integrity.
2. The R.SAD is verified that it binds together the Signer authentication, a set of R.DTBS/R and R.Signing_Key_Id.
3. The R.DTBS/R used for signature operations is bound to the R.SAD.
4. The Signer identified in the SAD is authenticated according to the rules specified in FIA_UAU.5/Signer.
5. Only an R.Signing_Key_Id as bound in the SAD, and which is part of the R.Signer security attributes, can be used to create a signature³²⁸.

FDP_ACF.1.3/Signing

The TSF shall explicitly authorize access of subjects to objects based on the following additional rules:

1. The Signer must be the owner of the R.Signer object used to generate the signature³²⁹.

³²⁴[refinement: TOE]

³²⁵[assignment: list of subjects, objects, and operations among subjects and objects covered by the SFP]

³²⁶[assignment: access control SFP]

³²⁷[assignment: list of subjects and objects controlled under the indicated SFP, and for each, the SFP-relevant security attributes, or named groups of SFP-relevant security attributes]

³²⁸[assignment: rules governing access among controlled subjects and controlled objects using controlled operations on controlled objects]

³²⁹[assignment: rules, based on security attributes, that explicitly authorise access of subjects to objects]

FDP_ACF.1.4/Signing

The TSF shall explicitly deny access of subjects to objects based on the following additional rules:

1. If the Signer does not own the R.Signer object, it can't be used to create a signature³³⁰.

FDP_ACC.1/SAM Maintenance (Subset access control)

Hierarchical to: No other components.

Dependencies: FDP_ACF.1 Security attribute based access control

FDP_ACC.1.1/SAM Maintenance

The TSF shall enforce the SAM Maintenance policy³³¹ on

1. subjects: Privileged User,
2. objects: R.TSF_DATA,
3. operations: SAM Maintenance:
The Privileged User transmits information to the SAM³³² to manage roles and configuration³³³.

FDP_ACF.1/SAM Maintenance (Security attribute based access control)

Hierarchical to: No other components.

Dependencies: FDP_ACC.1 Subset access control

FMT_MSA.3 Static attribute initialization

FDP_ACF.1.1/SAM Maintenance

The TSF shall enforce the SAM Maintenance policy³³⁴ to objects based on the following:

1. Whether the subject is a Privileged User authorised to maintain the SAM configuration data.³³⁵.

FDP_ACF.1.2/SAM Maintenance

The TSF shall enforce the following rules to determine if an operation among controlled subjects and controlled objects is allowed:

1. Only a Privileged User who has been authorised to maintain the SAM can carry out the SAM Maintenance operation³³⁶.

FDP_ACF.1.3/SAM Maintenance

The TSF shall explicitly authorize access of subjects to objects based on the following additional rules: none³³⁷.

FDP_ACF.1.4/SAM Maintenance

The TSF shall explicitly deny access of subjects to objects based on the following additional rules: none³³⁸.

FDP_ACC.1/SAM_Backup (Subset access control)

Hierarchical to: No other components.

Dependencies: FDP_ACF.1 Security attribute based access control

³³⁰[assignment: rules, based on security attributes, that explicitly deny access of subjects to objects]

³³¹[assignment: access control SFP]

³³²[refinement: TOE]

³³³[assignment: list of subjects, objects, and operations among subjects and objects covered by the SFP]

³³⁴[assignment: access control SFP]

³³⁵[assignment: list of subjects and objects controlled under the indicated SFP, and for each, the SFP-relevant security attributes, or named groups of SFP-relevant security attributes]

³³⁶[assignment: rules governing access among controlled subjects and controlled objects using controlled operations on controlled objects]

³³⁷[assignment: rules, based on security attributes, that explicitly authorise access of subjects to objects]

³³⁸[assignment: rules, based on security attributes, that explicitly deny access of subjects to objects]

FDP_ACC.1.1/SAM_Backup

The TSF shall enforce the Backup SFP³³⁹ on

1. subjects: all,
2. objects: keys,
3. operations: backup, restore³⁴⁰.

FDP_ACF.1/SAM_Backup (Security attribute based access control)

Hierarchical to: No other components.

Dependencies: FDP_ACC.1 Subset access control
FMT_MSA.3 Static attribute initialization

FDP_ACF.1.1/SAM_Backup

The TSF shall enforce the Backup SFP³⁴¹ to objects based on the following:

1. whether the subject is a Privileged User³⁴².

FDP_ACF.1.2/SAM_Backup

The TSF shall enforce the following rules to determine if an operation among controlled subjects and controlled objects is allowed:

1. Only authorised Privileged Users shall be able to perform any backup operation provided by the TSF to create backups of the TSF state or to restore the TSF state from a backup,
2. Any restore of the TSF shall only be possible under at least dual person control, with each person being a Privileged User,
3. Any backup and restore shall preserve the confidentiality and integrity of user's security attributes³⁴³.

FDP_ACF.1.3/SAM Backup

The TSF shall explicitly authorize access of subjects to objects based on the following additional rules: none³⁴⁴.

FDP_ACF.1.4/SAM Backup

The TSF shall explicitly deny access of subjects to objects based on the following additional rules: none³⁴⁵.

FDP_ETC.2/Signer (Export of user data with security attributes)

Hierarchical to: No other components.

Dependencies: [FDP_ACC.1 Subset access control, or FDP_IFC.1 Subset information flow control]

FDP_ETC.2.1/Signer

The TSF shall enforce the Signer Creation SFP, Signer Key Pair Generation SFP, Signer Key Pair Deletion SFP, Signer Maintenance SFP, Supply DTBS/R SFP, Signing SFP and Backup SFP³⁴⁶ when exporting user data, controlled under the SFP(s), outside of the TSF.

FDP_ETC.2.2/Signer

³³⁹[assignment: access control SFP]

³⁴⁰[assignment: list of subjects, objects, and operations among subjects and objects covered by the SFP]

³⁴¹[assignment: access control SFP]

³⁴²[assignment: list of subjects and objects controlled under the indicated SFP, and for each, the SFP-relevant security attributes, or named groups of SFP-relevant security attributes]

³⁴³[assignment: rules governing access among controlled subjects and controlled objects using controlled operations on controlled objects]

³⁴⁴[assignment: rules, based on security attributes, that explicitly authorise access of subjects to objects]

³⁴⁵[assignment: rules, based on security attributes, that explicitly deny access of subjects to objects]

³⁴⁶[assignment: access control SFP(s) and/or information flow control SFP(s)]

The TSF shall export the user data with the user data's associated security attributes.

FDP_ETC.2.3/Signer

The TSF shall ensure that the security attributes, when exported outside the TSF, are unambiguously associated with the exported user data.

FDP_ETC.2.4/Signer

The TSF shall enforce the following rules when user data is exported from the TSF: none³⁴⁷.

Application Note 59

Since the drQSCD does not export user data then FDP_ETC.2/Signer is trivially satisfied.

FDP_IFC.1/Signer (Subset information flow control)

Hierarchical to: No other components.

Dependencies: FDP_IFF.1 Simple security attributes

FDP_IFC.1.1/Signer

The TSF shall enforce the FDP_IFF.1/Signer³⁴⁸ on

1. subjects: Privileged User and Signer.
2. information: Signer security attributes.
3. operations: all³⁴⁹.

FDP_IFF.1/Signer (Simple security attributes)

Hierarchical to: No other components.

Dependencies: FDP_IFC.1 Subset information flow control
FMT_MSA.3 Static attribute initialisation

FDP_IFF.1.1/Signer

The TSF shall enforce the FDP_IFF.1/Signer³⁵⁰ based on the following types of subject and information security attributes:

1. Privileged User and Signer accessing the Signer security attributes³⁵¹.

FDP_IFF.1.2/Signer

The TSF shall permit an information flow between a controlled subject and controlled information via a controlled operation if the following rules hold:

1. The SAM shall be initialized with FDP_ACC.1/SAM Maintenance.
2. To allow a Signer to sign, the Signer shall be created in the SAM by FDP_ACC.1/Signer Creation followed by FDP_ACC.1/Signer key Pair Generation.
3. After Signer is created the following operations can be done: FDP_ACC.1/Signer Key Pair Generation, FDP_ACC.1/Signer Key Pair Deletion, FDP_ACC.1/Supply DTBS/R, FDP_ACC.1/Signer Maintenance, FDP_ACC.1/Signing and FDP_ACC.1/SAM Backup³⁵².

FDP_IFF.1.3/Signer

The TSF shall enforce the **following additional information flow control rules**³⁵³: none³⁵⁴

³⁴⁷[assignment: additional exportation control rules]

³⁴⁸ [assignment: information flow control SFP]

³⁴⁹ [assignment: list of subjects, information, and operations that cause controlled information to flow to and from controlled subjects covered by the SFP]

³⁵⁰ [assignment: information flow control SFP]

³⁵¹ [assignment: list of subjects and information controlled under the indicated SFP, and for each, the security attributes]

³⁵² [assignment: for each operation, the security attribute-based relationship that must hold between subject and information security attributes]

³⁵³ [refinement]

³⁵⁴ [assignment: additional information flow control SFP rules]

FDP_IFF.1.4/Signer

The TSF shall explicitly authorise an information flow based on the following rules: none³⁵⁵

FDP_IFF.1.5/Signer

The TSF shall explicitly deny an information flow based on the following rules: none³⁵⁶.

FDP_ETC.2/Privileged User (Export of user data with security attributes)

Hierarchical to: No other components.

Dependencies: [FDP_ACC.1 Subset access control, or FDP_IFC.1 Subset information flow control]

FDP_ETC.2.1/Privileged User

The TSF shall enforce the Privileged User Creation policy³⁵⁷ when exporting user data, controlled under the SFP(s), outside of the TSF.

FDP_ETC.2.2/Privileged User

The TSF shall export the user data with the user data's associated security attributes.

FDP_ETC.2.3/Privileged User

The TSF shall ensure that the security attributes, when exported outside the TSF, are unambiguously associated with the exported user data.

FDP_ETC.2.4/Privileged User

The TSF shall enforce the following rules when user data is exported from the TSF: none³⁵⁸.

Application Note 60

Since the drQSCD does not export user data then FDP_ETC.2/Privileged User is trivially satisfied.

FDP_IFC.1/Privileged User (Subset information flow control)

Hierarchical to: No other components.

Dependencies: FDP_IFF.1 Simple security attributes

FDP_IFC.1.1/Privileged User

The TSF shall enforce the FDP_IFF.1/Privileged User³⁵⁹ on

1. subjects: Privileged User,
2. information: Privileged User security attributes,
3. operations: all³⁶⁰.

FDP_IFF.1/Privileged User (Simple security attributes)

Hierarchical to: No other components.

Dependencies: FDP_IFC.1 Subset information flow control

FMT_MSA.3 Static attribute initialisation

FDP_IFF.1.1/Privileged User

The TSF shall enforce the FDP_IFF.1/Privileged User³⁶¹ based on the following types of subject and information security attributes:

1. Privileged User accessing the Privileged User security attributes³⁶².

³⁵⁵ [assignment: rules, based on security attributes, that explicitly authorise information flows]

³⁵⁶ [assignment: rules, based on security attributes, that explicitly deny information flows]

³⁵⁷ [assignment: access control SFP(s) and/or information flow control SFP(s)]

³⁵⁸ [assignment: additional exportation control rules]

³⁵⁹ [assignment: information flow control SFP]

³⁶⁰ [assignment: list of subjects, information, and operations that cause controlled information to flow to and from controlled subjects covered by the SFP]

³⁶¹ [assignment: information flow control SFP]

³⁶² [assignment: list of subjects and information controlled under the indicated SFP, and for each, the security attributes]

FDP_IFF.1.2/Privileged User

The TSF shall permit an information flow between a controlled subject and controlled information via a controlled operation if the following rules hold:

1. The SAM shall be initialized with FDP_ACC.1/SAM Maintenance³⁶³.

FDP_IFF.1.3/Privileged User

The TSF shall enforce the **following additional information flow control rules: none**³⁶⁴

FDP_IFF.1.4/Privileged User

The TSF shall explicitly authorise an information flow based on the following rules: none³⁶⁵

FDP_IFF.1.5/Privileged User

The TSF shall explicitly deny an information flow based on the following rules: none³⁶⁶.

FDP_ITC.2/Signer (Import of user data with security attributes)

Hierarchical to: No other components.

Dependencies: [FDP_ACC.1 Subset access control, or FDP_IFC.1 Subset information flow control]

[FTP_ITC.1 Inter-TSF trusted channel, or FTP_TRP.1 Trusted path]

FPT_TDC.1 Inter-TSF basic TSF data consistency

FDP_ITC.2.1/Signer

The TSF shall enforce the Signer Creation SFP, Signer Key Pair Generation SFP, Signer Key Pair Deletion SFP, Signer Maintenance SFP, Supply DTBS/R SFP, Signing SFP and SAM_Backup SFP³⁶⁷ when importing user data, controlled under the SFP(s), outside of the TOE.

FDP_ITC.2.2/Signer

The TSF shall use the security attributes associated with the imported user data.

FDP_ITC.2.3/Signer

The TSF shall ensure that the protocol used provides for the unambiguous association between the security attributes and the user data received.

FDP_ITC.2.4/Signer

The TSF shall ensure that interpretation of the security attributes of the imported user data is as intended by the source of the user data.

FDP_ITC.2.5/Signer

The TSF shall enforce the following rules when user data is imported from the TSF: none³⁶⁸.

Application Note 61:

Since the drQSCD does not import user data then FDP_ITC.2/Signer is trivially satisfied.

FDP_ITC.2/Privileged User (Import of user data with security attributes)

Hierarchical to: No other components.

Dependencies: [FDP_ACC.1 Subset access control, or FDP_IFC.1 Subset information flow control]

[FTP_ITC.1 Inter-TSF trusted channel, or FTP_TRP.1 Trusted path]

³⁶³ [assignment: for each operation, the security attribute-based relationship that must hold between subject and information security attributes]

³⁶⁴ [assignment: additional information flow control SFP rules]

³⁶⁵ [assignment: rules, based on security attributes, that explicitly authorise information flows]

³⁶⁶ [assignment: rules, based on security attributes, that explicitly deny information flows]

³⁶⁷ [assignment: access control SFP(s) and/or information flow control SFP(s)]

³⁶⁸ [assignment: additional importation control rules]

FPT_TDC.1 Inter-TSF basic TSF data consistency

FDP_ITC.2.1/Privileged User

The TSF shall enforce the Privileged User Creation policy³⁶⁹ when importing user data, controlled under the SFP(s), outside of the TOE.

FDP_ITC.2.2/Privileged User

The TSF shall use the security attributes associated with the imported user data.

FDP_ITC.2.3/Privileged User

The TSF shall ensure that the protocol used provides for the unambiguous association between the security attributes and the user data received.

FDP_ITC.2.4/Privileged User

The TSF shall ensure that interpretation of the security attributes of the imported user data is as intended by the source of the user data.

FDP_ITC.2.5/Privileged User

The TSF shall enforce the following rules when user data is imported from the TSF: none³⁷⁰.

Application Note 62

Since the drQSCD does not import user data then FDP_ITC.2/Privileged User is trivially satisfied.

FDP_UCT.1 (Basic data exchange confidentiality)

Hierarchical to: No other components.

Dependencies: [FTP_ITC.1 Inter-TSF trusted channel, or FTP_TRP.1 Trusted path]
[FDP_ACC.1 Subset access control, or FDP_IFC.1 Subset information flow control]

FDP_UCT.1.1

The TSF shall enforce the Signer Flow SFP and Privileged User Flow SFP³⁷¹ to be able to transmit and receive³⁷² user data in a manner protected from unauthorised disclosure.

FDP_UIT.1 (Data exchange integrity)

Hierarchical to: No other components.

Dependencies: [FTP_ITC.1 Inter-TSF trusted channel, or FTP_TRP.1 Trusted path]
[FDP_ACC.1 Subset access control, or FDP_IFC.1 Subset information flow control]

FDP_UIT.1.1

The TSF shall enforce the Signer Flow SFP and Privileged User Flow SFP³⁷³ to transmit and receive³⁷⁴ user data in a manner protected from modification and insertion errors for R.Signer and R.Privileged User and for R.SAD also from modification and replay errors³⁷⁵.

FDP_UIT.1.2

The TSF shall be able to determine on receipt of user data, whether modification, deletion and insertion for R.Signer and R.Privileged User and for R.SAD whether modification and replay³⁷⁶ has occurred.

³⁶⁹ [assignment: access control SFP(s) and/or information flow control SFP(s)]

³⁷⁰ [assignment: additional importation control rules]

³⁷¹ [assignment: access control SFP(s) and/or information flow control SFP(s)]

³⁷² [selection: transmit, receive]

³⁷³ [assignment: access control SFP(s) and/or information flow control SFP(s)]

³⁷⁴ [selection: transmit, receive]

³⁷⁵ [selection: modification, deletion, insertion, replay]

³⁷⁶ [selection: modification, deletion, insertion, replay]

Application Note 63 (Application Note 59 from [EN 419241-2]: Applied)
Insertion of objects would mean that authorised creation of Signer and Privileged User could be possible.

6.1.3.4 Identification and authentication (FIA)

FIA_UID.2/SAM (User identification before any action)

Hierarchical to: FIA_UID.1 Timing of identification.

Dependencies: No dependencies.

FIA_UID.2.1/SAM

The TSF shall require each user to be successfully identified before allowing any other TSF-mediated actions on behalf of that user.

FIA_UAU.1/SAM (Timing of authentication)

Hierarchical to: No other components.

Dependencies: FIA_UID.1 Timing of identification.

FIA_UAU.1.1/SAM

The TSF shall allow:

1. Identification of the Privileged User by means of TSF required by FIA_UID.2
2. Establishing a trusted path between remote Signer and the TOE by means of TSF required by FTP_TRP.1³⁷⁷

on behalf of the user to be performed before the user is authenticated.

FIA_UAU.1.2/SAM

The TSF shall require each user to be successfully authenticated before allowing any other TSF-mediated actions on behalf of that user.

FIA_AFL.1/SAM (Authentication failure handling)

Hierarchical to: No other components.

Dependencies: FIA_UAU.1 Timing of authentication

FIA_AFL.1.1/SAM

The TSF shall detect when a **TOE Maintenance**³⁷⁸ configurable positive integer within (3,20) values³⁷⁹ unsuccessful authentication occurs related to Privileged User and Signer authentication³⁸⁰.

FIA_AFL.1.2/SAM

When the defined number of unsuccessful authentication attempts has been met³⁸¹, the TSF shall suspend the Privileged User and when it is a Signer, suspend the usage of R.Signing_Key_Id³⁸².

FIA_UAU.5/Signer (Multiple authentication mechanisms)

Hierarchical to: No other components.

Dependencies: No dependencies.

FIA_UAU.5.1/Signer

The TSF shall provide a password based authentication and a second authentication, based on Time-

³⁷⁷ [assignment: list of additional TSF-mediated actions]

³⁷⁸ [refinement: an administrator]

³⁷⁹ [selection: [assignment: positive integer number], an administrator configurable positive integer within [assignment: range of acceptable values]]

³⁸⁰ [assignment: list of authentication events]

³⁸¹ [selection: met, surpassed]

³⁸² [assignment: list of actions]

Based One-Time Password Algorithm according to [RFC 6238]³⁸³ to support user authentication.

FIA_UAU.5.2/Signer

The TSF shall authenticate any **Signer**³⁸⁴'s claimed identity according to the **following**³⁸⁵:

- Signer provides his/her password (as the knowledge-based authentication factor),
- Signer provides the TOTP (as the possession-based authentication factor)³⁸⁶.

Application Note 64 (Application Note 62 from [EN 419241-2]: Applied)

This SFR only apply for Signer authentication for maintaining signer (FDP_ACC.1/Signer Maintenance) and for signing (FDP_ACC.1/Signing).

Application Note 65

The drQSCD does not use delegated authentication.

FIA_UAU.5/Privileged user (Multiple authentication mechanisms)

Hierarchical to: No other components.

Dependencies: No dependencies.

FIA_UAU.5.1/Privileged User

The TSF shall provide a password based authentication and a second authentication, based on Time-Based One-Time Password Algorithm according to [RFC 6238]³⁸⁷ to support user authentication.

FIA_UAU.5.2/Privileged User

The TSF shall authenticate any **Privileged User**³⁸⁸'s claimed identity according to the **following**:

- Privileged User provides his/her password (as the knowledge-based authentication factor),
- Privileged User provides the TOTP (as the possession-based authentication factor)³⁸⁹.

FIA_ATD.1 (User attribute definition)

Hierarchical to: No other components.

Dependencies: No dependencies.

FIA_ATD.1.1

The TSF shall maintain the following list of security attributes belonging to individual users: the security attribute as defined in FIA_USB.1³⁹⁰.

FIA_USB.1 (User-subject binding)

Hierarchical to: No other components.

Dependencies: FIA_ATD.1 User attribute definition.

FIA_USB.1.1

The TSF shall associate the following user security attributes with subjects acting on the behalf of that user:

1. R.Reference_Signer_Authentication_Data
2. R.Signing_Key_Id

³⁸³ CC: [assignment: list of multiple authentication mechanisms], PP: [selection: [assignment: list of direct authentication mechanisms conformant to [EN 419 241-1] SRA_SAP.1.1, [assignment: list of delegated authentication mechanisms conformant to [EN 419 241-1] SRA_SAP.1.1]]

³⁸⁴ [refinement: user]

³⁸⁵ [refinement]

³⁸⁶ CC: [assignment: rules describing how the multiple authentication mechanisms provide authentication], PP: • [assignment: If the TOE supports delegated authentication then: the rules describing how this is verified by TSF], • [assignment: If the TOE is supports direct authentication of the Signer, rules describing how the direct authentication mechanisms provide authentication].

³⁸⁷ [assignment: list of multiple authentication mechanisms]

³⁸⁸ [refinement: user]

³⁸⁹ [assignment: rules describing how the multiple authentication mechanisms provide authentication]

³⁹⁰ [assignment: list of security attributes]

3. R.SVD
4. R.Signer
5. Role
6. EntityType

to Signer

1. R.Reference Privileged User Authentication Data
2. R.Privileged User
3. Role

to Privileged User.³⁹¹

FIA_USB.1.2

The TSF shall enforce the following rules on the initial association of user security attributes with subjects acting on the behalf of users:

1. Whether the subject is a Privileged User authorized to create a new Signer.
2. Whether the subject is a Privileged User authorized to create a new Privileged User
3. none³⁹².

FIA_USB.1.3

The TSF shall enforce the following rules governing changes to the user security attributes associated with subjects acting on the behalf of users:

1. Whether the subject is a Privileged User authorized to modify an R.Signer object.
2. Whether the subject is a Signer authorized to modify his own R.Signer object,
3. none.³⁹³

Application Note 66 (Application Note 63 from [EN 419241-2]: Applied)

In FIA_USB.1.1 several attributes including R.Signing_Key_ID and R.SVD may initially be empty.

³⁹¹ [assignment: list of user security attributes]

³⁹² [assignment: rules for the initial association of attributes]

³⁹³ [assignment: rules for the changing of attributes]

6.1.3.5 Security management (FMT)

FMT_MSA.1/Signer (Management of security attributes)

Hierarchical to: No other components.

Dependencies: [FDP_ACC.1 Subset access control, or FDP_IFC.1 Subset information flow control]

FMT_SMR.1 Security roles

FMT_SMF.1 Specification of Management Functions

FMT_MSA.1.1/Signer

The TSF shall enforce:

1. Signer Creation SFP³⁹⁴ to restrict the ability to create³⁹⁵ the security attributes listed in FIA_USB.1 for Signer³⁹⁶ to authorised Privileged User³⁹⁷.
2. Generate Signer Key Pair SFP³⁹⁸ to restrict the ability to generate³⁹⁹ the security attributes R.SVD and R.Signing_Key_Id⁴⁰⁰ to authorised Privileged User and Signer⁴⁰¹.
3. Signer Key Pair Deletion SFP⁴⁰² to restrict the ability to destruct⁴⁰³ the security attributes R.SVD and R.Signing_Key_Id⁴⁰⁴ as part of R.Signer to authorised Signer⁴⁰⁵.
4. Supply DTBS/R SFP⁴⁰⁶ to restrict the ability to create⁴⁰⁷ the security attribute R.DTBS/R as part of R.Signer⁴⁰⁸ to Privileged User⁴⁰⁹.
5. Signing SFP⁴¹⁰ to restrict the ability to create⁴¹¹ the security attribute R.DTBS/R as part of R.Signer⁴¹² to authorised Signer⁴¹³.
6. Signing SFP⁴¹⁴ to restrict the ability to query⁴¹⁵ the security attributes listed in FIA_USB.1⁴¹⁶ to authorised Signer⁴¹⁷.
7. Signer Maintenance SFP⁴¹⁸ to restrict the ability to change⁴¹⁹ the security attributes R.Reference_Signer_Authentication_Data as part of R.Signer⁴²⁰ to authorised Privileged User and Signer⁴²¹.

FMT_MSA.1/Privileged User (Management of security attributes)

Hierarchical to: No other components.

³⁹⁴[assignment: access control SFP(s), information flow control SFP(s)]

³⁹⁵[selection: change default, query, modify, delete, [assignment: other operations]]

³⁹⁶[assignment: list of security attributes]

³⁹⁷[assignment: the authorized identified roles]

³⁹⁸[assignment: access control SFP(s), information flow control SFP(s)]

³⁹⁹[selection: change default, query, modify, delete, [assignment: other operations]]

⁴⁰⁰[assignment: list of security attributes]

⁴⁰¹[assignment: the authorized identified roles]

⁴⁰²[assignment: access control SFP(s), information flow control SFP(s)]

⁴⁰³[selection: change default, query, modify, delete, [assignment: other operations]]

⁴⁰⁴[assignment: list of security attributes]

⁴⁰⁵[assignment: the authorized identified roles]

⁴⁰⁶[assignment: access control SFP(s), information flow control SFP(s)]

⁴⁰⁷[selection: change default, query, modify, delete, [assignment: other operations]]

⁴⁰⁸[assignment: list of security attributes]

⁴⁰⁹[assignment: the authorized identified roles]

⁴¹⁰[assignment: access control SFP(s), information flow control SFP(s)]

⁴¹¹[selection: change default, query, modify, delete, [assignment: other operations]]

⁴¹²[assignment: list of security attributes]

⁴¹³[assignment: the authorized identified roles]

⁴¹⁴[assignment: access control SFP(s), information flow control SFP(s)]

⁴¹⁵[selection: change default, query, modify, delete, [assignment: other operations]]

⁴¹⁶[assignment: list of security attributes]

⁴¹⁷[assignment: the authorized identified roles]

⁴¹⁸[assignment: access control SFP(s), information flow control SFP(s)]

⁴¹⁹[selection: change default, query, modify, delete, [assignment: other operations]]

⁴²⁰[assignment: list of security attributes]

⁴²¹[assignment: the authorized identified roles]

Dependencies: [FDP_ACC.1 Subset access control, or FDP_IFC.1 Subset information flow control]
FMT_SMR.1 Security roles
FMT_SMF.1 Specification of Management Functions

FMT_MSA.1.1/Privileged User

The TSF shall enforce:

1. Privileged User Creation policy⁴²² to restrict the ability to create and query⁴²³ the security attributes listed in FIA_USB.1 for Privileged User⁴²⁴ to authorised Privileged User⁴²⁵.

FMT_MSA.2 (Secure security attributes)

Hierarchical to: No other components.

Dependencies: [FDP_ACC.1 Subset access control, or FDP_IFC.1 Subset information flow control]
FMT_MSA.1 Management of security attributes
FMT_SMR.1 Security roles

FMT_MSA.2.1

The TSF shall ensure that only secure values are accepted for all security attributes listed in FIA_USB.1⁴²⁶.

FMT_MSA.3/Signer (Static attribute initialization)

Hierarchical to: No other components.

Dependencies: FMT_MSA.1 Management of security attributes
FMT_SMR.1 Security roles

FMT_MSA.3.1/Signer

The TSF shall enforce Signer Creation SFP⁴²⁷ to provide restrictive⁴²⁸ default values for security attributes that are used to enforce the SFP.

FMT_MSA.3.2/Signer

The TSF shall allow the Privileged User⁴²⁹ to specify alternative initial values to override the default values when an object or information is created.

Application Note 67

The Privileged User can specify alternative initial values for the following security attributes:

1. for R.Reference Signer Authentication Data:
 - authfactor (“PWD + TOTP”)
 - Initial userPWD (a string to be changed by the Signer)
 - salt for one-way transformation of the userPW (320 random bits)
 - TOTP secret (256 random bits)
2. for R.Signer:
 - uid (user name in the SAM)
3. Role (“Signer”)
4. EntityType (“User” or “Org”)

FMT_MSA.3/Privileged User (Static attribute initialization)

⁴²²[assignment: access control SFP(s), information flow control SFP(s)]

⁴²³[selection: change default, query, modify, delete, [assignment: other operations]]

⁴²⁴[assignment: list of security attributes]

⁴²⁵[assignment: the authorized identified roles]

⁴²⁶[assignment: list of security attributes]

⁴²⁷[assignment: access control SFP, information flow control SFP]

⁴²⁸[selection: choose one of: restrictive, permissive, [assignment: other property]]

⁴²⁹[assignment: the authorized identified roles]

Hierarchical to: No other components.

Dependencies: FMT_MSA.1 Management of security attributes

FMT_SMR.1 Security roles

FMT_MSA.3.1/Privileged User

The TSF shall enforce Privileged User Creation SFP⁴³⁰ to provide restrictive⁴³¹ default values for security attributes that are used to enforce the SFP.

FMT_MSA.3.2/Privileged User

The TSF shall allow the Privileged User⁴³² to specify alternative initial values to override the default values when an object or information is created.

Application Note 68

The Privileged User can specify alternative initial values for the following security attributes:

1. for R.Reference_Privileged_User_Authentication_Data
 - authfactor (“PWD+TOTP”)
 - Initial userPWD (a string to be changed by the Privileged User)
 - salt for one-way transformation of the userPW (320 random bits)
 - TOTP secret (256 random bits)
2. for R.Privileged_User
 - uid (user name in the SAM)
3. Role (“SAMAdmin”)

FMT_MTD.1/SAM (Management of TSF data)

Hierarchical to: No other components.

Dependencies: FMT_SMR.1 Security roles

FMT_SMF.1 Specification of Management Functions

FMT_MTD.1.1/SAM

The TSF shall restrict the ability to modify⁴³³ the R.TSF_DATA⁴³⁴ to Privileged User⁴³⁵.

FMT_SMF.1/SAM (Security management functions)

Hierarchical to: No other components.

Dependencies: No dependencies.

FMT_SMF.1.1/SAM

The TSF shall be capable of performing the following management functions:

1. Signer management,
2. Privileged User management,
3. Configuration management,
4. Backup and restore functions⁴³⁶.

FMT_SMR.2/SAM (Restrictions on security roles)

Hierarchical to: FMT_SMR.1 Security roles

Dependencies: FIA_UID.1 Timing of identification.

FMT_SMR.2.1/SAM

⁴³⁰[assignment: access control SFP, information flow control SFP]

⁴³¹[selection, choose one of: restrictive, permissive, [assignment: other property]]

⁴³²[assignment: the authorized identified roles]

⁴³³[selection: change default, query, modify, delete, clear, [assignment: other operations]]

⁴³⁴[assignment: list of TSF data]

⁴³⁵[assignment: the authorized identified roles]

⁴³⁶[assignment: list of security management functions to be provided by the TSF]

The TSF shall maintain the roles Signer and Privileged User, none⁴³⁷.

FMT_SMR.2.2/SAM

The TSF shall be able to associate users with roles.

FMT_SMR.2.3/SAM

The TSF shall ensure that the conditions Signer can't be a Privileged User⁴³⁸ are satisfied.

6.1.3.6 Protection of the TSF (FPT)

FPT_RPL.1 (Replay detection)

Hierarchical to: No other components.

Dependencies: No dependencies.

FPT_RPL.1.1

The TSF shall detect replay for the following entities: R.SAD⁴³⁹.

FPT_RPL.1.2

The TSF shall perform reject the signature operation⁴⁴⁰ when replay is detected.

FPT_STM.1/SAM (Reliable time stamps)

Hierarchical to: No other components.

Dependencies: No dependencies.

FPT_STM.1.1/SAM

The TSF shall be able to provide reliable time stamps.

Application Note 69

The SAM receives a reliable time source from its environment (from the CM, through the OS).

Application Note 70

Since the SAM is implemented as a local application within the same physical boundary as the CM, FPT_PHP.1 and FPT_PHP.3 do not apply for the SAM, because the FPT_PHP.1 and FPT_PHP.3 defined in [EN 419221-5] for the CM already provide a tamper-resistant environment.

FPT_TDC.1 (Inter-TSF basic TSF data consistency)

Hierarchical to: No other components.

Dependencies: No dependencies.

FPT_TDC.1.1

The TSF shall provide the capability to consistently interpret

1. R.Signer,
2. R.Reference_Signer_Authentication_Data,
3. R.SAD,
4. R.DTBS/R,
5. R.SVD
6. R.Privileged_User
7. R.Reference_Privileged_User_Authentication_Data

⁴³⁷ CC: [assignment: authorised identified roles], PP: Signer and Privileged User, [assignment: authorised identified roles]

⁴³⁸[assignment: conditions for the different roles]

⁴³⁹[assignment: list of identified entities]

⁴⁴⁰[assignment: list of specific actions]

8. R.TSF_DATA⁴⁴¹

when shared between the TSF and another trusted IT product.

FPT_TDC.1.2

The TSF shall use data integrity either on data or on communication channel⁴⁴² when interpreting the TSF data from another trusted IT product.

Application Note 71

Since the drQSCD does not store data outside its physical boundary, then FPT_TDC.1 is trivially satisfied.

6.1.3.7 Trusted path/channels (FTP)

FTP_ITC.1/CM (Inter-TSF trusted channel)

Hierarchical to: No other components.

Dependencies: No dependencies.

FPT_ITC.1.1/CM

The TSF shall provide a communication channel between itself and **cryptographic module certified according to [EN 419 221-5]**⁴⁴³ that is logically distinct from other communication channels and provides assured identification of its end points and protection of the channel data from modification or disclosure.

FPT_ITC.1.2/CM

The TSF shall permit TSF and a cryptographic module certified according to [EN 419 221-5]⁴⁴⁴ to initiate communication via the trusted channel.

FPT_ITC.1.3/CM

The TSF shall initiate communication via the trusted channel for:

1. Management functions, as specified in FMT_SMF.1⁴⁴⁵

Application Note 72

Since the SAM is implemented as a local application within the same physical boundary as the CM, and the CM already provides a tamper-resistant environment, then FTP_ITC.1/CM is trivially satisfied.

FTP_TRP.1/SSA (Inter-TSF Trusted Path)

Hierarchical to: No other components.

Dependencies: No dependencies.

FPT_TRP.1.1/SSA

The TSF shall provide a communication path between itself and **Privileged Users through SSA**⁴⁴⁶ that is logically distinct from other communication paths and provides assured identification of its end points and protection of the communicated data from modification⁴⁴⁷.

FPT_TRP.1.2/SSA

⁴⁴¹[assignment: list of TSF data types]

⁴⁴²[assignment: list of interpretation rules to be applied by the TSF]

⁴⁴³[refinement: another trusted IT product]

⁴⁴⁴[selection: the TSF, another trusted IT product]

⁴⁴⁵[assignment: list of functions for which a trusted channel is required]

⁴⁴⁶[selection: remote, local]

⁴⁴⁷[selection: modification, disclosure, [assignment: other types of integrity or confidentiality violation]]

The TSF shall permit local⁴⁴⁸ **Privileged User through a trusted IT product**⁴⁴⁹ to initiate communication via the trusted path.

FTP_TRP.1.3/SSA

The TSF shall require the use of the trusted path for:

1. FDP_ACC.1/Privileged User Creation,
2. FDP_ACC.1/Signer Creation,
3. FDP_ACC.1/Signer Maintenance
4. FDP_ACC.1/Signer Key Pair Generation,
5. FDP_ACC.1/Signer Key Pair Deletion,
6. FDP_ACC.1/Supply DTBS/R,
7. FDP_ACC.1/SAM Maintenance,
8. FDP_ACC.1/SAM Backup⁴⁵⁰.

Application Note 73

Since the drQSCD does not support “Supply DTBS/R by the Privileged User” then (5) in FTP_TRP.1.3/SSA is trivially satisfied.

FTP_TRP.1/SIC (Inter-TSF Trusted Path)

Hierarchical to: No other components.

Dependencies: No dependencies.

FTP_TRP.1.1/SIC

The TSF shall provide a communication path between itself and remote⁴⁵¹ **Signers through the SIC**⁴⁵² that is logically distinct from other communication paths and provides assured identification of its end points and protection of the communicated data from modification⁴⁵³.

FTP_TRP.1.2/SIC

The TSF shall permit remote⁴⁵⁴ **Signers through the SIC**⁴⁵⁵ to initiate communication via the trusted path.

FTP_TRP.1.3/SIC

The TSF shall require the use of the trusted path for:

1. FDP_ACC.1/Signer Maintenance
2. FDP_ACC.1/Signer Key Pair Generation
3. FDP_ACC.1/Signer Key Pair Deletion
4. FDP_ACC.1/Signing⁴⁵⁶.

Application Note 74 (Application Note 74 from [EN 419241-2]: Applied)

The SAM is not expected to verify the SIC as a communication end point and it may rely on the signer authentication.

⁴⁴⁸[selection: the TSF, local users, remote users]

⁴⁴⁹ [refinement: SSA]

⁴⁵⁰ [selection: initial user authentication, [assignment: other services for which trusted path is required]].

⁴⁵¹ [selection: remote, local]

⁴⁵² [refinement: users]

⁴⁵³ [selection: modification, disclosure, [assignment: other types of integrity or confidentiality violation]]

⁴⁵⁴ [selection: the TSF, local users, remote users]

⁴⁵⁵ [refinement: users]

⁴⁵⁶ CC: [selection: initial user authentication, [assignment: other services for which trusted path is required]], PP: [selection: (1) FDP_ACC.1/Signer Key Pair Generation (2) FDP_ACC.1/Signer Maintenance (3) FDP_ACC.1/Signing (4) [assignment: other services for which trusted path is required]].

6.1.4 Additional SFRs

In case of multi-party configuration, there are a few additional SFRs in relation to the distributed structure of the TOE: FPT_ITT.1, FPT_SSP.2, FPT_TRC.1, and FRU_FLT.1.

6.1.4.1 Protection of the TSF (FPT)

FPT_ITT.1 (Basic Internal TSF Data Transfer Protection)

Hierarchical to: No other components.

Dependencies: No dependencies.

FPT_ITT.1.1

The TSF shall protect TSF data from disclosure and modification⁴⁵⁷ when it is transmitted between separate parts of the TOE, **using the following mechanisms: TLS as defined in [RFC 5246].**

FPT_SSP.2 (Mutual trusted acknowledgement)

Hierarchical to: FPT_SSP.1 Simple trusted acknowledgement

Dependencies: FPT_ITT.1 Basic internal TSF data transfer protection

FPT_SSP.2.1

The TSF shall acknowledge, when requested by another part of the TSF, the receipt of an unmodified TSF data transmission.

FPT_SSP.2.2 The TSF shall ensure that the relevant parts of the TSF know the correct status of transmitted data among its different parts, using acknowledgements.

FPT_TRC.1 (Internal TSF consistency)

Hierarchical to: No other components.

Dependencies: FPT_ITT.1 Basic internal TSF data transfer protection

FPT_TRC.1.1

The TSF shall ensure that TSF data is consistent when replicated between parts of the TOE.

FPT_TRC.1.2

When parts of the TOE containing replicated TSF data are disconnected, the TSF shall ensure the consistency of the replicated TSF data upon reconnection before processing any requests for:

1. The following management functions from FMT_SMF.1/CM:
 - Unblock of access due to authentication or authorisation failures,
 - User management,
 - Configuration management.
2. The following management functions in FMT_SMF.1/SAM,
 - Signer management,
 - Privileged User management,
 - Configuration management.
3. The following (distributed) cryptographic operations:
 - RSA key pair generation (according to FCS_CKM.1/RSA_d_key_gen)
 - RSA signature creation (according to FCS_COP.1/RSA_d_digsig)
 - RSA decryption (according to FCS_COP.1/RSA_d_dec)⁴⁵⁸.

⁴⁵⁷ [selection: disclosure, modification]

⁴⁵⁸ [assignment: list of functions dependent on TSF data replication consistency]

6.1.4.2 Resource utilisation (FRU)

FRU_FLT.1 (Degraded fault tolerance)

Hierarchical to: No other components.

Dependencies: FPT_FLS.1 Failure with preservation of secure state

FRU_FLT.1.1 The TSF shall ensure the operation of

- the following (distributed) cryptographic services:
 - RSA signature creation (according to FCS_COP.1/RSA_d_digsig).
 - RSA decryption (according to FCS_COP.1/RSA_d_dec).
- the following (non distributed) cryptographic services:
 - RSA signature creation (according to FCS_COP.1/RSA_nd_digsig).
 - RSA decryption (according to FCS_COP.1/RSA_nd_dec).
 - Signature verification (according to FCS_COP.1/RSA_validate_digsig)
 - ECDSA signature creation and verification (according to FCS_COP.1/ECDSA).
 - Random number generation (see: FCS_RNG.1)
 - Infrastructural RSA encryption (see: FCS_COP.1/RSA_nd_enc)
 - Infrastructural RSA decryption (see: FCS_COP.1/RSA_nd_dec)
 - AES encryption/decryption (see FCS_COP.1/AES_enc_dec)
 - 3DES encryption/decryption (see FCS_COP.1/3DES_enc_dec)
 - Hybrid (RSA, AES) file encryption (see: FCS_COP.1/RSA_nd_enc and FCS_COP.1/AES_enc_dec)
 - Hybrid (RSA, AES) file decryption (see: FCS_COP.1/RSA_nd_dec and FCS_COP.1/AES_enc_dec)
 - Hybrid (RSA, 3DES) file encryption (see: FCS_COP.1/RSA_nd_enc and FCS_COP.1/3DES_enc_dec)
 - Hybrid (RSA, 3DES) file decryption (see: FCS_COP.1/RSA_nd_dec and FCS_COP.1/3DES_enc_dec)
 - Cryptographic hash function (see: FCS_COP.1/hash)
 - Keyed-hash (see: FCS_COP.1/keyed_hash)
 - Key derivation (see: FCS_COP.1/key_derivation)
 - TOTP verification (see: FCS_COP.1/TOTP_verification)
 - Cipher-based message authentication code operation (see: FCS_COP.1/cmac_operation)
 - Key exchange (see: FCS_COP.1/ECDH)
 - Audit record protection (according to FAU_STG.2)⁴⁵⁹

when the following failures occur:

- fatal error or a long-term network unavailability in one of the three MPCAs⁴⁶⁰ (in case of multiparty configuration).

⁴⁵⁹ [assignment: list of TOE capabilities]

⁴⁶⁰ [assignment: list of type of failures]

6.2 Security assurance requirements

Class Assurance	Assurance components
ADV: Development	ADV_ARC.1 Architectural Design with domain separation and nonbypassability
	ADV_FSP.4 Complete functional specification
	ADV_IMP.1 Implementation representation of the TSF
	ADV_TDS.3 Basic modular design
AGD: Guidance documents	AGD_OPE.1 Operational user guidance
	AGD_PRE.1 Preparative procedures
ALC: Life-cycle support	ALC_CMC.4 Production support, acceptance procedures and automation
	ALC_CMS.4 Problem tracking CM coverage
	ALC_DEL.1 Delivery procedures
	ALC_DVS.1 Identification of security measures
	ALC_LCD.1 Developer defined life-cycle model
	ALC_TAT.1 Well-defined development tools
ASE: Security Target evaluation	ASE_CCL.1 Conformance claims
	ASE_ECD.1 Extended components definition
	ASE_INT.1 ST introduction
	ASE_OBJ.2 Security objectives
	ASE_REQ.2 Derived security requirements
	ASE_SPD.1 Security problem definition
	ASE_TSS.1 TOE summary specification
ATE: Tests	ATE_COV.2 Analysis of coverage
	ATE_DPT.1 Testing: basic design
	ATE_FUN.1 Functional testing
	ATE_IND.2 Independent testing – sample
AVA: Vulnerability assessment	AVA_VAN.5 Advanced methodical vulnerability analysis

Table 6.8 Assurance requirements: EAL4 augmented by AVA_VAN.5 and ALC_FLR.3

6.3 Security requirements rationale

6.3.1 Security requirements coverage

6.3.1.1 Coverage for the Cryptography Module (CM)

	OT.PlainKeyConf	OT.Algorithms	OT.KeyIntegrity	OT.Auth	OT.KeyUseConstraint	OT.KeyUseScope	OT.DataConf	OT.DataMod	OT.ImportExport	OT.Backup	OT.RNG	OT.TamperDetect	OT.FailureDetect	OT.Audit
FCS_CKM.1/*		X												
FCS_CKM.4/CM	X													
FCS_COP.1/*		X												
FCS_RNG.1											X			
FIA_UID.1/CM				X										
FIA_UAU.1/CM				X										
FIA_AFL.1/CM_authentication				X										
FIA_AFL.1/CM_authorisation				X										
FIA_UAU.6/AKeyAuth				X		X								
FIA_UAU.6/GenKeyAuth				X		X								
FDP_IFC.1/KeyBasics	X				X				X					
FDP_IFF.1/KeyBasics	X	X			X				X					
FDP_ACC.1/KeyUsage					X	X								
FDP_ACF.1/KeyUsage					X	X								
FDP_ACC.1/CM_Backup										X				
FDP_ACF.1/CM_Backup										X				
FDP_SDI.2			X											
FDP_RIP.1	X				X									
FTP_TRP.1/Local			X	X			X	X	X					
FTP_TRP.1/Admin			X	X			X	X	X					
FTP_TRP.1/External			X	X			X	X	X					
FPT_STM.1/CM														X
FPT_TST_EXT.1													X	
FPT_PHP.1												X		
FPT_PHP.3												X		
FPT_FLS.1													X	

	OT.PlainKeyConf	OT.Algorithms	OT.KeyIntegrity	OT.Auth	OT.KeyUseConstraint	OT.KeyUseScope	OT.DataConf	OT.DataMod	OT.ImportExport	OT.Backup	OT.RNG	OT.TamperDetect	OT.FailureDetect	OT.Audit
FMT_SMR.1/CM				X										X
FMT_SMF.1/CM				X										X
FMT_MTD.1/Unblock				X										
FMT_MTD.1/AuditLog														X
FMT_MSA.1/GenKeys					X									
FMT_MSA.1/AKeys					X									
FMT_MSA.3/Keys					X									
FAU_GEN.1/CM														X
FAU_GEN.2/CM														X
FAU_STG.2														X

Table 6.9 CM Security Objectives mapping to SFRs

OT.PlainKeyConf is addressed by the requirements in the Key Basics SFP defined in FDP_IFC.1/KeyBasics and FDP_IFF.1/KeyBasics (especially FDP_IFF.1.5/KeyBasics). Secure destruction of keys according to FCS_CKM.4/CM protects the key value at the end of its lifetime. FDP_RIP.1 protects secret keys from being accessed after they have been deallocated.

OT.Algorithms is addressed by the need to use endorsed standards for FCS_COP.1/* and the use of an appropriate random number generator in FCS_CKM.1/*.

OT.KeyIntegrity is addressed primarily by FDP_SDI.2 which requires integrity protection of keys and their attributes by the CM. FDP_IFF.1/KeyBasics requires that any importing or exporting of keys requires the use of secure channels and integrity protection (cf. the requirement for an integrityprotected channel as part of FTP_TRP.1/Local, FTP_TRP.1/Admin and FTP_TRP.1/External).

OT.Auth is addressed by FIA_UID.1, FIA_UAU.1 and FIA_AFL.1/* for administrator authentication (with FMT_MTD.1/Unblock and its dependencies on FMT_SMR.1 and FMT_SMF.1 ensuring that appropriate roles and unblocking for authorisation and authentication failures are also provided). Authorisation for external client applications is provided by the requirements for authentication of endpoints in FTP_TRP.1/Local, FTP_TRP.1/Admin and FTP_TRP.1/External. Authorisation for the use of secret keys is addressed by FIA_UAU.6/AKeyAuth and FIA_UAU.6/GenKeyAuth.

OT.KeyUseConstraint is addressed by the requirements for well-defined (and securely initialised) key attributes in FMT_MSA.1/GenKeys, FMT_MSA.1/AKeys, and FMT_MSA.3/Keys, and the application of the attributes to operate constraints on the use of keys in FDP_IFC.1/KeyBasics, FDP_IFF.1/KeyBasics, FDP_ACC.1/KeyUsage and FDP_ACF.1/KeyUsage. FDP_RIP.1 protects

authorisation data (which enables a key to be used) from being accessed after it has been deallocated.

OT.KeyUseScope is addressed by the Key Usage SFP in FDP_ACC.1/KeyUsage and FDP_ACF.1/KeyUsage and by the re-authorisation conditions for use of a secret key specified in FIA_UAU.6/AKeyAuth and FIA_UAU.6/GenKeyAuth.

OT.DataConf is addressed by the authentication and confidentiality requirements for secure channels in FTP_TRP.1/Local, FTP_TRP.1/Admin and FTP_TRP.1/External.

OT.DataMod is addressed by the authentication and integrity requirements for secure channels in FTP_TRP.1/Local, FTP_TRP.1/Admin and FTP_TRP.1/External.

OT.ImportExport is addressed by the requirements for the use of secure import/export through a secure channel and restrictions on how keys are imported and exported to protect confidentiality and integrity in the Key Basics SFP in FDP_IFC.1/KeyBasics and FDP_IFF.1/KeyBasics, and by the requirements on the secure channels themselves in FTP_TRP.1/Local, FTP_TRP.1/Admin and FTP_TRP.1/External.

OT.Backup separates out the requirements for any backup and restore properties that the CM may provide and is addressed directly by the Backup SFP in FDP_ACC.1/CM_Backup and FDP_ACF.1/CM_Backup.

OT.RNG is addressed by the requirement in FCS_RNG.1 for a random number generator of an appropriate type, which meets appropriate randomness metrics.

OT.TamperDetect is addressed by the requirement for passive tamper detection in FPT_PHP.1 and the tamper response mechanisms in FPT_PHP.3.

OT.FailureDetect is addressed by the self-test requirements of FPT_TST_EXT.1 and secure failure requirements of FPT_FLS.1.

OT.Audit is addressed in terms of basic creation of audit records by the requirements for audit record generation in FAU_GEN.1 and FAU_GEN.2 and provision of time stamps for use in audit records in FPT_STM.1. Protection of the audit trail is ensured by FAU_STG.2, FMT_MTD.1/AuditLog and FMT_SMF.1. Support for the Administrator role that controls export and deletion of audit records from the CM is required by FMT_SMR.1.

6.3.1.2 Coverage for the Signature Activation Module (SAM)

	OT.SIGNER_PROTECTION	OT.REF-SIG_AUTH_DATA	OT.SIG_KEY_GEN	OT.SVD	OT.PRIV_U_MANAGEMENT	OT.PRIV_U_AUTH	OT.PRIV_U_PROT	OT.SIGNER-MANAGEMENT	OT.SYSTEM-	OT.AUDIT_PROTECTION	OT.SAD_VERIFICATION	OT.SAP	OT.SIG_AUTH_DATA_PROT	OT.DTBSR_INTEGRITY	OT.SIGN_INTEGRITY	OT.RCRYPTO	OT.RANDOM	OT.SAM_BACKUP
FAU_GEN.1/SAM										X								
FAU_GEN.2/SAM										X								
FCS_CKM.1/*			X													X		
FCS_CKM.4/SAM			X															
FCS_COP.1/*			X												X	X		
FCS_RNG.1 ⁴⁶¹			X															
FDP_ACC.1/Privileged User Creation					X													
FDP_ACF.1/Privileged User Creation					X													
FDP_ACC.1/Signer Creation		X						X										
FDP_ACF.1/Signer Creation		X						X										
FDP_ACC.1/Signer Maintenance		X																
FDP_ACF.1/Signer Maintenance		X																
FDP_ACC.1/Signer Key Pair Generation			X	X														
FDP_ACF.1/Signer Key Pair Generation			X	X														
FDP_ACC.1/Signer Key Pair Deletion								X										
FDP_ACF.1/Signer Key Pair Deletion								X										
FDP_ACC.1/Supply DTBS/R														X				
FDP_ACF.1/Supply DTBS/R														X				
FDP_ACC.1/Signing										X					X			
FDP_ACF.1/Signing										X					X			
FDP_ACC.1/SAM Maintenance								X										
FDP_ACF.1/SAM Maintenance								X										
FDP_ACC.1/SAM Backup																		X
FDP_ACF.1/SAM Backup																		X
FDP_ETC.2/Signer	X																	
FDP_IFC.1/Signer	X																	
FDP_IFF.1/Signer	X																	

⁴⁶¹ FCS_RNG.1 is a SFR of the CM functionality. /According to Application Note 40 in [EN 419241-2], the SFR FCS_RNG.1 only apply for SAM functionality, if the SAM is not implemented as a local application within the same physical boundary as the cryptographic module./

	OT.SIGNER_PROTECTION	OT.REF-SIG_AUTH_DATA	OT.SIG_KEY_GEN	OT.SVD	OT.PRIV_U_MANAGEMENT	OT.PRIV_U_AUTH	OT.PRIV_U_PROT	OT.SIGNER-MANAGEMENT	OT.SYSTEM-PROTECTION	OT.AUDIT_PROTECTION	OT.SAD_VERIFICATION	OT.SAP	OT.SIG_AUTH_DATA_PROT	OT.DTBSR_INTEGRITY	OT.SIGN_INTEGRITY	OT.RCRYPTO	OT.RANDOM	OT.SAM_BACKUP
FDP_ETC.2/Privileged User					X	X												
FDP_IFC.1/Privileged User					X	X												
FDP_IFF.1/Privileged User					X	X												
FDP_ITC.2/Signer	X																	
FDP_ITC.2/Privileged User					X	X												
FDP_UCT.1	X																	
FDP_UIT.1	X																	
FIA_AFL.1/SAM						X				X								
FIA_ATD.1	X				X	X												
FIA_UAU.1/SAM						X				X								
FIA_UAU.5/Signer										X								
FIA_UAU.5/Privileged User						X												
FIA_UID.2/SAM					X	X	X											
FIA_USB.1	X	X			X	X												
FMT_MSA.1/Signer								X										
FMT_MSA.1/Privileged User					X													
FMT_MSA.2					X			X										
FMT_MSA.3/Signer								X										
FMT_MSA.3/Privileged User					X													
FMT_MTD.1/SAM									X									
FMT_SMF.1/SAM									X									
FMT_SMR.2/SAM									X									
FPT_RPL.1												X						
FPT_STM.1/SAM										X								
FPT_TDC.1	X				X	X												
FTP_TRP.1/SSA									X					X				
FTP_TRP.1/SIC											X	X	X					
FTP_ITC.1/CM			X												X			

Table 6.10 SAM Security Objectives mapping to SFRs

OT.SIGNER_PROTECTION is handled by requirements export and import of R.Signer in a secure way. (FDP_ETC.2/Signer, FDP_IFC.1/Signer, FDP_IFF.1/Signer, FDP_ITC.2/Signer, FDP_UCT.1 FDP_UIT.1 and FPT_TDC.1). The actual description of the data is described in FIA_ATD.1 and FIA_USB.1.

OT.REFERENCE_SIGNER_AUTHENTICATION_DATA is handled by FDP_ACC.1/Signer Creation, FDP_ACF.1/Signer Creation, FDP_ACC.1/Signer Maintenance and FDP_ACF.1/Signer, which describes access control for creating and updating R.Signer and R.Reference_Signer_Authentication_Data

OT.SIGNER_KEY_PAIR_GENERATION is handled by the requirements for key generation and cryptographic algorithms in FCS_CKM.1 and FCS_COP.1. FCS_RNG.1 provides a random source for key generation. FCS_CKM.4 describes the requirements for key destruction. FDP_ACC.1/Signer Key Pair Generation and FDP_ACF.1/Signer Key Pair Generation describes access control for creating a key pair. FIA_USB.1 describes that R.Signing_Key_Id is associated with Signer. FTP_ITC.1/CM can be used to communicate securely with a CM.

OT.SVD is handled by the requirements in FDP_ACC.1/Signer Key Pair Generation and FDP_ACF.1/Signer Key Pair Generation.

OT.PRIVILEGED_USER_MANAGEMENT is handled by requirements for export and import of R.Privileged User in a secure way (FDP_ETC.2/Privileged User, FDP_IFC.1/Privileged User, FDP_IFF.1/Privileged User, FDP_ITC.2/Privileged User and FPT_TDC.1). The actual description of the data is described in FIA_ATD.1 and FIA_USB.1. Authentication of Privileged User is handled by FIA_UID.2/SAM, FMT_MSA.1/Privileged User, FMT_MSA.2 and FMT_MSA.3/Privileged User. FDP_ACC.1/Privileged User Creation and FDP_ACF.1/Privileged User Creation describes access controls for creating Privileged Users..

OT.PRIVILEGED_USER_AUTHENTICATION is handled by FIA_AFL.1/SAM, FIA_UAU.1/SAM and FIA_UAU.5/Privileged User.

OT.PRIVILEGED_USER_PROTECTION is handled by FDP_ETC.2/Privileged User, FDP_IFC.1/Privileged User, FDP_IFF.1/Privileged User, FDP_ITC.2/Privileged User, FDP_UCT.1, FDP_UIT.1 and FPT_TDC.1. The actual description of the data is described in FIA_ATD.1 and FIA_USB.1.

OT.SIGNER_MANAGEMENT is handled by the requirements for access control in FDP_ACC.1/Signer Creation, FDP_ACF.1/Signer Creation, FDP_ACC.1/Signer Maintenance and FDP_ACF.1/Signer Maintenance. Authentication of Signers and Privileged Users are handled by FIA_UID.2, FMT_MSA.1/Signer, FMT_MSA.1/Privileged User, FMT_MSA.2, FMT_MSA.3/Signer and FMT_MSA.3/Privileged User.

OT.SYSTEM_PROTECTION is handled by FMT_MTD.1/SAM, FMT_SMF.1/SAM and FMT_SMR.2/SAM. FDP_ACC.1/SAM Maintenance and FDP_ACF.1/SAM Maintenance describes access control rules for managing TSF data. FPT_PHP.1 and FPT_PHP.3 describes requirements for TSF protection. FTP_TRP.1/SSA describes that only a Privileged User can maintain the SAM.

OT.AUDIT_PROTECTION is handled by the requirements for audit record generation FAU_GEN.1/SAM and FAU_GEN.2/SAM using reliable time stamps in FPT_STM.1/SAM.

OT.SAD_VERIFICATION is handled by the FIA_AFL.1/SAM, FIA_UAU.1/SAM and FIA_UAU.5/Signer. FDP_ACC.1/Signing and FDP_ACF.1/Signing describes access control rules for the signature operation and well as for SAP verification.

OT.SAP is covered by the requirements FTP_TRP.1/SIC and FPT_RPL.1 the protocol between the SIC and TSF.

OT.SIGNATURE_AUTHENTICATION_DATA_PROTECTION is covered by FTP_TRP.1/SIC, which describes the requirements for data transmitted to the SAM, is protected in integrity

OT.DTBSR_INTEGRITY is covered by FTP_TRP.1/SSA and FTP_TRP.1/SIC requiring data transmission to be protected in integrity.

OT.SIGNATURE_INTEGRITY is handled by FCS_COP.1, which describes requirements on the algorithms. FTP_ITC.1/CM may be used to transmit data securely between the SAM and the CM. Access control for the signature operation is ensured by FDP_ACC.1/Signing and FDP_ACF.1/Signing.

OT.CRYPTO is covered by FCS_CKM.1 and FCS_COP.1, which describes requirements for key generation and algorithms.

OT.RANDOM is covered by OT.RNG (security objective for CM).

OT.SAM_BACKUP is handled by FDP_ACC.1/SAM_Backup and FDP_ACF.1/SAM_Backup.

6.3.1.3 Coverage for the additional Security Objectives

	OT.TSF_Consistency	OT.PROT_Comm	OT.Availability
FPT_SSP.2	X		
FPT_TRC.1	X		
FPT_ITT.1		X	
FRU_FLT.1			X

Table 6.11 Additional Security Objectives mapping to SFRs

OT.TSF_Consistency is addressed by FPT_SSP.2, which requires mutual trusted acknowledgement during the communication between separate TOE parts and FPT_TRC.1 which requires the consistency of the TSF data when they are replicated between separate TOE parts.

OT.PROT_Comm is addressed by FPT_ITT.1 which requires protection of user and TSF data protection against disclosure and modification when they are transmitted between separate parts of the TOE.

OT.Availability is addressed by FRU_FLT.1 which requires operation of core security function and ensures minimum service provision even during a breakdown of one of the TOE parts.

6.3.2 Satisfaction of SFR dependencies

6.3.2.1 Satisfaction of dependencies for the Cryptographic Module (CM)

The dependencies between SFRs are addressed as shown in Table 6.9 Where a dependency is not

met in the manner defined in [CC2] then a rationale is provided for why the dependency is unnecessary or else met in some other way.

SFR	Dependencies	Fulfilled by
FCS_CKM.1/*	[FCS_CKM.2 or FCS_COP.1] FCS_CKM.4	FCS_COP.1/* FCS_CKM.4/CM
FCS_CKM.4/CM	[FDP_ITC.1 or FDP_ITC.2 or FCS_CKM.1]	FCS_CKM.1/*
FCS_COP.1/*	[FDP_ITC.1 or FDP_ITC.2 or FCS_CKM.1] FCS_CKM.4	FCS_CKM.1/* FCS_CKM.4/CM
FCS_RNG.1	No dependencies	n/a
FIA_UID.1/CM	No dependencies	n/a
FIA_UAU.1/CM	FIA_UID.1	FIA_UID.1/CM
FIA_AFL.1/*	FIA_UAU.1	FIA_UAU.1/CM
FIA_UAU.6/AKeyAuth	No dependencies	n/a
FIA_UAU.6/GenKeyAuth	No dependencies	n/a
FDP_IFC.1/KeyBasics	FDP_IFF.1	FDP_IFF.1/KeyBasics
FDP_IFF.1/KeyBasics	FDP_IFC.1 FMT_MSA.3	FDP_IFC.1/KeyBasics FMT_MSA.3/Keys
FDP_ACC.1/KeyUsage	FDP_ACF.1	FDP_ACF.1/KeyUsage
FDP_ACF.1/KeyUsage	FDP_ACC.1 FMT_MSA.3	FDP_ACC.1/KeyUsage FMT_MSA.3/Keys
FDP_ACC.1/CM_Backup	FDP_ACF.1	FDP_ACF.1/CM_Backup
FDP_ACF.1/CM_Backup	FDP_ACC.1 FMT_MSA.3	FDP_ACC.1/CM_Backup The dependency on FMT_MSA.3 is not relevant in this case since the attribute used in FDP_ACF.1/CM_Backup is determined by the ability of the user to authenticate as an administrator according to FIA_UAU.1.
FDP_SDI.2	No dependencies	n/a
FDP_RIP.1	No dependencies	n/a
FTP_TRP.1/Local	No dependencies	n/a
FTP_TRP.1/Admin	No dependencies	n/a
FTP_TRP.1/External	No dependencies	n/a
FPT_STM.1/CM	No dependencies	n/a
FPT_TST_EXT.1	No dependencies	n/a
FPT_FLS.1	No dependencies	n/a
FPT_PHP.1	No dependencies	n/a
FPT_PHP.3	No dependencies	n/a
FMT_SMR.1/CM	FIA_UID.1	FIA_UID.1/CM
FMT_SMF.1/CM	No dependencies	n/a
FMT_MTD.1/Unblock	FMT_SMR.1 FMT_SMF.1	FMT_SMR.1/CM FMT_SMF.1/CM

SFR	Dependencies	Fulfilled by
FMT_MTD.1/AuditLog	FMT_SMR.1 FMT_SMF.1	FMT_SMR.1/CM FMT_SMF.1/CM
FMT_MSA.1/GenKeys	[FDP_ACC.1 or FDP_IFC.1] FMT_SMR.1 FMT_SMF.1	FDP_ACC.1/KeyUsage and FDP_IFC.1/KeyBasics FMT_SMR.1/CM FMT_SMF.1/CM
FMT_MSA.1/AKeys	[FDP_ACC.1 or FDP_IFC.1] FMT_SMR.1 FMT_SMF.1	FDP_ACC.1/KeyUsage and FDP_IFC.1/KeyBasics FMT_SMR.1/CM FMT_SMF.1/CM
FMT_MSA.3/Keys	FMT_MSA.1 FMT_SMR.1	FMT_MSA.1/GenKeys and FMT_MSA.1/AKeys FMT_SMR.1/CM
FAU_GEN.1/CM	FPT_STM.1	FPT_STM.1/CM
FAU_GEN.2/CM	FAU_GEN.1 FIA_UID.1	FAU_GEN.1/CM FIA_UID.1/CM
FAU_STG.2	FAU_GEN.1	FAU_GEN.1/CM

Table 6.12 Satisfaction of dependencies for CM

6.3.2.2 Satisfaction of dependencies for the Signature Activation Module (SAM)

SFR	Dependencies	Fulfilled by
FAU_GEN.1/SAM	FPT_STM.1	FPT_STM.1/SAM
FAU_GEN.2/SAM	FAU_GEN.1 FIA_UID.1	FAU_GEN.1/SAM FIA_UID.2/SAM
FCS_CKM.1/*	[FCS_CKM.2 or FCS_COP.1] FCS_CKM.4	FCS_COP.1/* FCS_CKM.4/SAM
FCS_CKM.4/SAM	[FDP_ITC.1 or FDP_ITC.2 or FCS_CKM.1]	FCS_CKM.1/invoke_CM :*_key_gen
FCS_COP.1/*	[FDP_ITC.1 or FDP_ITC.2 or FCS_CKM.1] FCS_CKM.4	FCS_CKM.1/* FCS_CKM.4/SAM
FDP_ACC.1/Privileged User Creation	FDP_ACF.1	FDP_ACF.1/Privileged User Creation
FDP_ACF.1/Privileged User Creation	FDP_ACC.1 FMT_MSA.3	FDP_ACC.1/Privileged User Creation FMT_MSA.3/Privileged User
FDP_ACC.1/Signer Creation	FDP_ACF.1	FDP_ACF.1/Signer Creation
FDP_ACF.1/Signer Creation	FDP_ACC.1 FMT_MSA.3	FDP_ACC.1/Signer Creation FMT_MSA.3/Signer
FDP_ACC.1/Signer Maintenance	FDP_ACF.1	FDP_ACF.1/Signer Maintenance
FDP_ACF.1/Signer Maintenance	FDP_ACC.1 FMT_MSA.3	FDP_ACC.1/Signer Maintenance FMT_MSA.3/Signer
FDP_ACC.1/Signer Key Pair Generation	FDP_ACF.1	FDP_ACF.1/Signer Key Pair Generation
FDP_ACF.1/ Signer Key Pair Generation	FDP_ACC.1 FMT_MSA.3	FDP_ACC.1/Signer Key Pair Generation FMT_MSA.3/Signer

SFR	Dependencies	Fulfilled by
FDP_ACC.1/Signer Key Pair Deletion	FDP_ACF.1	FDP_ACF.1/Signer Key Pair Deletion
FDP_ACF.1/Signer Key Pair Deletion	FDP_ACC.1 FMT_MSA.3	FDP_ACC.1/Signer Key Pair Deletion FMT_MSA.3/Signer
FDP_ACC.1/Supply DTBS/R	FDP_ACF.1	FDP_ACF.1/Supply DTBS/R
FDP_ACF.1/Supply DTBS/R	FDP_ACC.1 FMT_MSA.3	FDP_ACC.1/Supply DTBS/R FMT_MSA.3/Privileged User
FDP_ACC.1/Signing	FDP_ACF.1	FDP_ACF.1/Signing
FDP_ACF.1/Signing	FDP_ACC.1 FMT_MSA.3	FDP_ACC.1/Signing FMT_MSA.3/Signer
FDP_ACC.1/SAM Maintenance	FDP_ACF.1	FDP_ACF.1/SAM Maintenance
FDP_ACF.1/SAM Maintenance	FDP_ACC.1 FMT_MSA.3	FDP_ACC.1/SAM Maintenance FMT_MSA.3/Privileged User
FDP_ACC.1/SAM Backup	FDP_ACF.1	FDP_ACF.1/SAM Backup
FDP_ACF.1/SAM Backup	FDP_ACC.1 FMT_MSA.3	FDP_ACC.1/SAM Backup FMT_MSA.3/Privileged User
FDP_IFC.1/Signer	FDP_IFF.1	FDP_IFF.1/Signer
FDP_IFF.1/Signer	FDP_IFC.1 FMT_MSA.3	FDP_IFC.1/Signer FMT_MSA.3/Signer
FDP_IFC.1/Privileged User	FDP_IFF.1	FDP_IFF.1/Privileged User
FDP_IFF.1/Privileged User	FDP_IFC.1 FMT_MSA.3	FDP_IFC.1/Privileged User FMT_MSA.3/Privileged User
FDP_ETC.2/Signer	[FDP_ACC.1 or FDP_IFC.1]	FDP_IFC.1/Signer
FDP_ETC.2/Privileged User	[FDP_ACC.1 or FDP_IFC.1]	FDP_IFC.1/Privileged User
FDP_ITC.2/Signer	[FDP_ACC.1 or FDP_IFC.1] [FTP_ITC.1 or FTP_TRP.1] FPT_TDC.1	FDP_IFC.1/Signer FTP_TRP.1/SSA and FTP_TRP.1/SIC FPT_TDC.1
FDP_ITC.2/Privileged User	[FDP_ACC.1 or FDP_IFC.1] [FTP_ITC.1 or FTP_TRP.1] FPT_TDC.1	FDP_IFC.1/Privileged User FTP_TRP.1/SSA FPT_TDC.1
FDP_UCT.1	[FTP_ITC.1 or FTP_TRP.1] [FDP_ACC.1 or FDP_IFC.1]	FTP_TRP.1/SIC and FTP_TRP.1/SSA FDP_IFC.1/Signer and FDP_IFC.1/Privileged User
FDP_UIT.1	[FTP_ITC.1 or FTP_TRP.1] [FDP_ACC.1 or FDP_IFC.1]	FTP_TRP.1/SIC and FTP_TRP.1/SSA FDP_IFC.1/Signer and FDP_IFC.1/Privileged User
FIA_ATD.1	No dependencies	n/a
FIA_USB.1	FIA_ATD	FIA_ATD.1
FIA_UID.2/SAM	No dependencies	n/a
FIA_UAU.1/SAM	FIA_UID.1	FIA_UID.2/SAM
FIA_AFL.1/SAM	FIA_UAU.1	FIA_UAU.1/SAM
FIA_UAU.5/Signer	No dependencies	n/a
FIA_UAU.5/Privileged User	No dependencies	n/a

SFR	Dependencies	Fulfilled by
FMT_MSA.1/Signer	[FDP_ACC.1 or FDP_IFC.1] FMT_SMR.1 FMT_SMF.1	FDP_ACF.1/Signer Creation, FDP_ACF.1/Signer Key Pair Generation, FDP_ACF.1/Signer Maintenance, FDP_ACF.1/Supply DTBS/R and FDP_ACF.1/Signing FMT_SMR.1/SAM FMT_SMF.1/SAM
FMT_MSA.1/Privileged User	[FDP_ACC.1 or FDP_IFC.1] FMT_SMR.1 FMT_SMF.1	FDP_ACF.1/Privileged User Creation FMT_SMR.1/SAM FMT_SMF.1/SAM
FMT_MSA.2	[FDP_ACC.1 or FDP_IFC.1] FMT_MSA.1 FMT_SMR.1	FDP_ACF.1/Signer Creation, FDP_ACF.1/Signer Key Pair Generation, FDP_ACF.1/Signer Maintenance, FDP_ACF.1/Supply DTBS/R, FDP_ACF.1/Signing, FDP_ACF.1/Privileged User Creation, FDP_IFC.1/Signer and FDP_IFC.1/Privileged User FMT_MSA.1 /Signer and FMT_MSA.1/Privileged User FMT_SMR.1/SAM
FMT_MSA.3/Signer	FMT_MSA.1 FMT_SMR.1	FMT_MSA.1/Signer FMT_SMR.1/SAM
FMT_MSA.3/Privileged User	FMT_MSA.1 FMT_SMR.1	FMT_MSA.1/Privileged User FMT_SMR.1/SAM
FMT_MTD.1/SAM	FMT_SMR.1 FMT_SMF.1	FMT_SMR.1/SAM FMT_SMF.1/SAM
FMT_SMR.2/SAM	FIA_UID.1	FIA_UID.2/SAM
FMT_SMF.1/SAM	No dependencies	n/a
FPT_STM.1/SAM	No dependencies	n/a
FPT_RPL.1	No dependencies	n/a
FPT_TDC.1	No dependencies	n/a
FTP_ITC.1/CM	No dependencies	n/a
FTP_TRP.1/SSA	No dependencies	n/a
FTP_TRP.1/SIC	No dependencies	n/a

Table 6.13 Satisfaction of dependencies for SAM

6.3.2.3 Satisfaction of dependencies for the additional SFRs

SFR	Dependencies	Satisfied by
FPT_SSP.2	FPT_ITT.1	FPT_ITT.1
FPT_TRC.1	FPT_ITT.1	FPT_ITT.1
FPT_ITT.1	No dependencies	n/a
FRU_FLT.1	FPT_FLS.1	FPT_FLS.1

Table 6.14 Satisfaction of dependencies for additional SFRs

6.3.3 Satisfaction of SAR dependencies

SAR	Dependencies	Satisfied by
EAL4 package	(dependencies of EAL4 package are not reproduced here)	By construction, all dependencies are satisfied in a CC EAL package
AVA_VAN.5	ADV_ARC.1 ADV_FSP.4 ADV_TDS.3 ADV_IMP.1 AGD_OPE.1 AGD_PRE.1 ATE_DPT.1	ADV_ARC.1 ADV_FSP.4 ADV_TDS.3 ADV_IMP.1 AGD_OPE.1 AGD_PRE.1 ATE_DPT.1 (all are included in EAL4 package)

Table 6.15 Satisfaction of dependencies for assurance requirements

6.3.4 Rationale for chosen security assurance requirements

The assurance level for this ST is EAL4 augmented by AVA_VAN.5 and ALC_FLR.3. This ST conforms to Protection Profiles [EN 419221-5] and [EN 419241-2]. Both PPs [EN 419221-5] and [EN 419241-2] require strict conformance of the ST claiming conformance to these PPs. The assurance level for the PPs above is EAL4 augmented by AVA_VAN.5.

EAL4 allows a developer to attain a reasonably high assurance level without the need for highly specialized processes and practices. It is considered to be the highest level that could be applied to an existing product line without undue expense and complexity. As such, EAL4 is appropriate for commercial products that can be applied to moderate to high security functions.

The TOE described in this ST is just such a product.

Augmentation results from the selection of AVA_VAN.5. All the dependencies of AVA_VAN.5 are satisfied by other assurance components in the EAL4 assurance package.

The TOE generates uses and manages the highly sensitive data in the form of secret keys, at least some of which may be used as signature creation data. The protection of these keys and associated security of their attributes and use in cryptographic operations can only be ensured by the TOE itself. While the TOE environment is intended to protect against physical attacks, a high level of protection against logical attacks (especially those that might be carried out remotely) is also necessary, and is therefore addressed by augmenting vulnerability analysis to deal with High attack potential.

7 TOE summary specification

To fulfill the Security Functional Requirements, the drQSCD comprises the following Security Functions (SFs):

1. User Roles and Authentication (SF_IA_CM and SF_IA_SAM)
2. Security management (SF_Management_CM and SF_Management_SAM)
3. Key Security (SF_Crypto_CM and SF_Crypto_SAM)
4. Access and information flow control (SF_Control_CM and SF_Control_SAM)
5. TSF data protection (SF_FPT_CM and SF_FPT_SAM)
6. Audit (SF_Audit_CM and SF_Audit_SAM)
7. Communication protection (SF_Comm_CM and SF_Comm_SAM)
8. Distributed structure (SF_Distributed_TOE)

In SF1-SF7 (named SF_*_CM) is related to the CM functionality, while the SF_*_SAM named SFs are related to the SAM functionality. SF8 details the special TOE capabilities based on its distributed structure.

7.1 Security Functionality

7.1.1 Roles, Authentication and Authorisation (SF_IA_CM and SF_IA_SAM)

SF_IA_CM

Roles

The CM maintains the Administrator, Key User, LCA and ECA roles, associating users with roles. (Related SFRs are the following: FMT_SMR.1/CM)

Authentication and Authorisation

The CM uses a common method for identification and authentication in case of each role: a unique user identifier + (static password or/and TOTP secret).

Before using a secret key an authorisation or a re-authorisation is required.

The CM blocks the account/key after a predefined number of consecutive failed authentication/authorisation attempts.

(FIA_UID.1/CM; FIA_UAU.1/CM; FIA_UAU.6/AKeyAuth; FIA_UAU.6/GenKeyAuth; FIA_AFL.1/CM_authentication; FIA_AFL.1/CM_authorisation)

SF_IA_SAM

Roles

The SAM maintains the Privileged User and Signer roles associating users with roles.

The SAM ensures that all user have only one role, consequently a signer can't be a privileged user. (FMT_SMR.2/SAM)

Authentication

For the Privileged Users, the SAM uses the same identification and authentication method as the CM: a unique user identifier + (static password or/and TOTP).

For the Signer the SAM requires two different authentication factors, a password (as the knowledge-based factor) and a TOTP (as the possession-based factor).

The identification and authentication method is: a unique user identifier + static password + TOTP. The SAM blocks the account after a predefined number of consecutive failed authentication

attempts. When a signer account has been locked the SAM also suspends the usage of all signing keys of the Signer.

The SAM maintains accounts (with different security attributes) belonging to individual users. (*FIA_UID.2/SAM; FIA_UAU.1/SAM; FIA_UAU.5/Signer; FIA_UAU.5/Privileged User; FIA_AFL.1/SAM; FIA_ATD.1; FIA_USB.1*)

7.1.2 Security management (SF_Management_CM and SF_Management_SAM)

SF_Management_CM

The Administrator is able to (*FMT_SMF.1/CM*):

- unblock a blocked user account or a blocked key (*FMT_MTD.1/Unblock*),
- specify alternative initial value for the “Key Usage” security attribute, setting its value to “General” or to “Signing” (*FMT_MSA.3/Keys*)
- export and delete the local audit and Errorlog file (*FMT_MTD.1/AuditLog*),
- backup and restore of the CM’s TSF state (*FDP_ACC.1/CM_Backup; FDP_ACF.1/CM_Backup*).

The Key User is able to modify the following attributes of his/her key (*FMT_MSA.1/AKeys; FMT_MSA.1/GenKeys*):

- Authorisation Data (to be used for authorisation and re-authorisation of a key)
- Uprotected Flag (which indicates whether the his/her stored key is protected only with an infrastructural key, or additionally with his/her Authorisation Data.)
- Operational Flag (which indicates whether the key is in operational state.)

SF_Management_SAM

There are the following SAM management functions (*FMT_SMF.1/SAM*):

- Signer management
(*FDP_ACC.1/Signer Creation, FDP_ACF.1/Signer Creation; FMT_MSA.1/Signer 1); FMT_MSA.3/Signer; FDP_ACC.1/Signer Maintenance; FDP_ACF.1/Signer Maintenance; FMT_MSA.1/ Signer 5),6); FMT_MSA.2*)
- Privileged User management
(*FDP_ACC.1/Privileged User Creation; FDP_ACF.1/Privileged User Creation; FMT_MSA.3/Privileged User; FMT_MSA.1/Privileged User; FMT_MSA.2*)
- Configuration management
(*FDP_ACC.1/SAM Maintenance; FDP_ACF.1/SAM Maintenance, FMT_MTD.1/SAM*)
- Backup and restore functions
(*FDP_ACC.1/SAM Backup, FDP_ACF.1/SAM Backup*)

7.1.3 Key Security (SF_Crypto_CM, SF_Crypto_SAM and Crypto_extCM)

SF_Crypto_CM

This security function is related to the whole lifecycle of the keys:

- Key import
(*FDP_IFF.1.2/KeyBasics 3,4,5; FD FTP_TRP.1/Admin; FAU_GEN.1.1/CM i*)
- Key generation (The CM generates different types of keys for its supported cryptographic operations.)
(*FCS_CKM.1/RSA_d_key_gen; FCS_CKM.1/RSA_nd_key_gen; FCS_CKM.1/AES_key_gen; FCS_CKM.1/3DES_key_gen; FCS_CKM.1/EC_key_gen, FCS_CKM.1/TLS_key_gen; FCS_CKM.1/TOTP_shared secret; FCS_RNG.1;*)

- FMT_MSA.3.1/Keys; FAU_GEN.1.1/CM e),g),t))
- Key restore from backup
(FDP_ACF.1.2/CM_Backup; FAU_GEN.1.1/CM k))
- Binding of a set of attributes to the key
(FMT_MSA.3/Keys; FDP_ACF.1.1/KeyUsage 2; FDP_ACF.1.2/KeyUsage 1;
FMT_MSA.1/GenKeys; FMT_MSA.1/AKeys; FAU_GEN.1.1/CM j))
- Storage of the key (The CM protects the integrity of keys and their attributes. The CM protects the confidentiality of secret keys and their sensitive attributes.)
(FDP_SDI.2; FDP_IFF.1.5/KeyBasics 1,6; FAU_GEN.1.1/CM l))
- Key export (The CM provides a function to export non-Assigned secret keys)
(FDP_IFF.1.1/KeyBasics 3,4 FDP_IFF.1.2/KeyBasics 1,4,5; FDP_IFF.1.5/KeyBasics 2,3,4,6; FDP_TRP.1/Admin; FAU_GEN.1.1 i))
- Key usage (The CM supports different approved algorithms for different purposes identified in the Table 1.2.)
(FDP_ACF.1.1/KeyUsage 1,3; FDP_ACF.1.2/KeyUsage 2,3; FIA_UAU.6/AKeyAuth;
FIA_UAU.6/GenKeyAuth; FDP_RIP.1; FIA_AFL.1/CM_authorisation;
FMT_MTD.1/Unblock; FDP_IFF.1.2/KeyBasics 6; FCS_COP.1/RSA_d_digsig;
FCS_COP.1/RSA_nd_digsig; FCS_COP.1/cmac operation; FCS_COP.1/ECDSA;
FCS_COP.1/ECDH; FCS_COP.1/RSA_validate_digsig; FCS_COP.1/hash;
FCS_COP.1/keyed-hash; FCS_COP.1/AES_enc_dec; FCS_COP.1/3DES_enc_dec;
FCS_COP.1/RSA_d_dec; FCS_COP.1/RSA_nd_dec; FCS_COP.1/RSA_nd_enc;
FCS_COP.1/key_derivation; FCS_COP.1/TOTP_verification; FAU_GEN.1.1/CM h), q))
- Key backup (The CM provides a function to backup secret keys.)
(FDP_ACF.1.2/CM_Backup 1,3,4; FAU_GEN.1.1 k))
- Key destruction (All secret keys and all authorisation data are zeroised (with physically overwriting) at the end of their lifecycle or after they have been deallocated.)
(FCS_CKM.4/CM; FDP_RIP.1.1; FAU_GEN.1.1/CM f))

SF_Crypto_SAM

The SAM does not perform distributed cryptographic operations with Key User's key and does not delete Key User's key. The SAM invokes the CM with appropriate parameters whenever a distributed cryptographic operation or a key deletion is required.

FCS_CKM.1/invoke_CM:; FCS_COP.1/invoke_CM:*; FCS_CKM.4/SAM.*

At the same time SAM performs non-distributed cryptographic operations with infrastructural keys.

FCS_CKM.1/SAM_; FCS_COP.1/SAM_*.*

SF_Crypto_extCM

This security function is related to the keys which are generated, stored and used by an external CM configured to be used (if there are any).

In these cases the CM does not perform cryptographic operations with Key User's, but invokes the external CM with appropriate parameters whenever a cryptographic operation is required:

- Key import: -
- Key generation (The CM invokes the external CM to generate different types of keys)
(FCS_CKM.1/RSA_nd_key_gen; FMT_MSA.3.1/Keys; FAU_GEN.1.1/CM e))
- Key restore from backup: -
- Binding of a set of attributes to the key
(FMT_MSA.3/Keys; FDP_ACF.1.1/KeyUsage 2; FDP_ACF.1.2/KeyUsage 1;
FMT_MSA.1/GenKeys; FMT_MSA.1/AKeys; FAU_GEN.1.1/CM j))

- Storage of the key: -
- Key export -
- Key usage (The CM invokes the external CM to use different approved algorithms for different purposes identified in the Table 1.3.)
(*FDP_ACF.1.1/KeyUsage 1,3; FDP_ACF.1.2/KeyUsage 2,3; FIA_UAU.6/AKeyAuth; FIA_UAU.6/GenKeyAuth; FDP_RIP.1; FIA_AFL.1/CM_ authorisation; FMT_MTD.1/Unblock; FDP_IFF.1.2/KeyBasics 6; FCS_COP.1/RSA_nd_digsig; FCS_COP.1/RSA_nd_dec; FAU_GEN.1.1/CM h), q)*)
- Key backup: -
- Key destruction: (The CM invokes the external CM to delete a RSA key-pair)
(*FCS_CKM.4/CM; FAU_GEN.1.1/CM f)*)

7.1.4 Access and information flow control (SF_Control_CM and SF_Control_SAM)

SF_Control_CM

The CM enforces the following Security Function Policies:

- Key Basics (Import of secret keys are not allowed. Export of secret key is allowed only for non-Assigned keys with "Export Flag="yes". Public keys will always be exported with integrity protection of their key value and attributes. Unblocking access to a key will not allow any subject other than those authorised to access the key at the time when it was blocked. No subject will be allowed to access the plaintext value of any secret key directly or to access intermediate values in any operation that uses a secret key.)
(*FDP_IFC.1/KeyBasics; FDP_IFF.1/KeyBasics*)
- Key Usage (The "Unprotected Flag" and "Operational Flag" key attributes can be changed only by the Key User. The Authorisation Data can be changed only by the Key User. Only subjects with current authorisation for a specific secret key are allowed to carry out operations using the plaintext value of that key. Only cryptographic functions permitted by the secret key's Key Usage attribute shall be carried out using the secret key.)
(*FDP_ACC.1/KeyUsage; FDP_ACF.1/KeyUsage*)
- Backup (Only Administrator are able to perform the backup or restore function (restore function is under dual control). All backups are signed and encrypted. Consequently, any backup preserves their integrity and confidentiality.) (*FDP_ACC.1/CM_Backup; FDP_ACF.1/CM_Backup*)

SF_Control_SAM

The SAM enforces the following additional SFPs:

- Privileged User Creation (Only a Privileged User is able to create a new Privileged User's account) (*FDP_ACC.1/Privileged User Creation; FDP_ACF.1/Privileged User Creation*)
- Signer Creation (Only a Privileged User can carry out create a new Signers account)
(*FDP_ACC.1/Signer Creation; FDP_ACF.1/Signer Creation*)
- Signer Maintenance (Only a Privileged User or the owner Signer is able to delete a key identifier and a public key from a Signer's account)
(*FDP_ACC.1/Signer Maintenance; FDP_ACF.1/Signer Maintenance*)
- Supply DTBS/R (Only an authorised Privileged User is able supply the R.DTBS/R on behalf of the Signer.)
(*FDP_ACC.1/Supply DTBS/R; FDP_ACF.1/Supply DTBS/R*)
- Signer Key Pair Generation (Only a Signer can carry out the NewKeyReq SAP command,

requesting a new RSA key pair generation. Only a Privileged User can carry out the keygen CMAPI command generating a new RSA key pair and assigning it to a Signer's account.) (*FDP_ACC.1/Signer Key Pair Generation; FDP_ACF.1/Signer Key Pair Generation*)

- Signing (Only a Signer can carry out the "ChKeyPWD" SAP command (which establishes or modifies the key Authorisation Data) and the "SAD" SAP command.) (*FDP_ACC.1/Signing; FDP_ACF.1/Signing*)
- SAM Maintenance (Only a Privileged User can carry out the SAM Maintenance related commands, transmitting information to the SAM to manage roles and configuration.) (*FDP_ACC.1/SAM Maintenance; FDP_ACF.1/SAM Maintenance*)
- Signer (The order of "Signer" related commands is regulated and controlled.) (*FDP_IFC.1/Signer; FDP_IFF.1/Signer*)
- Privileged User (The order of "Privileged User" related commands is regulated and controlled.) (*FDP_IFC.1/Privileged User; FDP_IFF.1/Privileged User*)

7.1.5 TSF data protection (SF_FPT_CM and SF_FPT_SAM)

SF_FPT_CM

The CM ensures the security of its TSF data, including the following:

- Self-tests, which demonstrate the correct operation of the TSF (*FPT_TST_EXT.1*)
- Secure failure, the capability to preserve a secure state when the different types of failures occur (*FPT_FLS.1*),
- Tamper protection (tamper detecting -*FPT_PHP.1*- and tamper response -*FPT_PHP.3*- capability).

SF_FPT_SAM

The SAM is implemented as a local application within the same physical boundary as the CM. Consequently, the CM provides for the SAM the following security services:

- a tamper-resistant environment,
- demonstration of the correct operation of the TSF (with different self-tests),
- preservation a secure state in case of different types of failures.

Related SFR: ---

7.1.6 Audit (SF_Audit_CM and SF_Audit_SAM)

SF_Audit_CM

The CM audits all security related events. (*FAU_GEN.1/CM*)

Every audit record includes a reliable time stamp (date and time of the event), subject identity (if applicable), identifier of the related CM and a human readable descriptive string about the related event.

For audit events resulting from actions of identified users, the CM associates each auditable event with the identity of the user that caused the event. (*FAU_GEN.2/CM*)

The CM receives a reliable time source from its environment (*FPT_STM.1/CM*)

The CM automatically transfers the blocks of audit records to an external audit server.

If the transfer of an audit block has failed, the CM temporarily accumulates audit blocks locally in an audit directory. Only the Administrator is able to export and delete the local audit file.

(*FMT_MTD.1/AuditLog; FMT_SMF.1/CM 3*)

All audit blocks have a serial number and are signed with an infrastructural key, so the CM detects unauthorised modification (including deletion) to the stored audit records in the audit trail.

When local audit storage exhaustion is detected, the CM requires the local audit file to be successfully exported and deleted by the Administrator before allowing any other security related actions. (*FAU_STG.2*)

SF_Audit_SAM

The SAM audits all security related events. (*FAU_GEN.1/SAM*)

Every audit record includes a reliable time stamp (date and time of the event), subject identity (if applicable), identifier of the related SAM and a human readable descriptive string about the related event. The audit records do not include any data which allow to retrieve sensitive data. For audit events resulting from actions of identified users, the SAM associates each auditable event with the identity of the user that caused the event. (*FAU_GEN.2/SAM*)

The SAM receives a reliable time source from its environment. (*FPT_STM.1/SAM*)

The SAM invokes the CM to protect its audit records (from unauthorised modification, deletion and audit storage exhaustion).

7.1.7 Communication protection (SF_Comm_CM and SF_Comm_SAM)

SF_Comm_CM

The CM implements and enforces:

- a secure channel based on TLS protocol, for communication with ECAs (*FTP_TRP.1/External, FPT_ITT.1*)
- a secure channel based on TLS protocol, for communication with Administrator, through SSA (*FTP_TRP.1/Local, FPT_ITT.1*)
- a secure channel based on SSH protocol, for communication with Administrators, using the console command interface in the provided limited shell (*FTP_TRP.1/Admin, FPT_ITT.1*),
- a direct channel for communication with Administrators, using the console command interface with a physical keyboard (*FTP_TRP.1/Admin*),
- a secure channel based on TLS protocol, for internal communication among MPCAs (*FTP_TRP.1/External, FPT_ITT.1*).

SF_Comm_SAM

The SAM implements and enforces:

- a secure channel based on TLS protocol, for communication with Privileged Users, through the SSA (*FTP_TRP.1/SSA, FPT_ITT.1*),
- a secure channel based on SSH protocol, for communication with Privileged Users, using the console command interface in the provided limited shell (*FTP_ITC*),
- a secure channel based on the proprietary SAP protocol (*FTP_TRP.1/SIC, FPT_RPL.1; FDP_UCT.1; FDP_UIT.1*),
- a direct channel for communication with Privileged Users, using the console command interface with a physical keyboard (*FTP_ITC*).

7.1.8 Distributed structure (SF_Distributed_TOE)

In case of multi-party configuration, the drQSCD consists of three separate TOE parts (MPCAs) to operate as a logical whole in order to fulfill the requirements of this Security Target.

This security function based on the distributed structure of the drQSCD ensures the following:

- Distributed cryptography

(FCS_CKM.1/RSA_d_key_gen; FCS_CKM.1/Invoke_CM:RSA_d_key_gen;
 FCS_COP.1/RSA_d_digsig; FCS_COP.1/Invoke_CM:_RSA_d_digsig;
 FCS_COP.1/RSA_d_dec; FCS_COP.1/Invoke_CM:RSA_d_dec)

- Secret sharing
 (FCS_CKM.1/RSA_d_key_gen; FCS_COP.1/RSA_d_digsig; FCS_COP.1/RSA_d_dec)
- Consistency protection (FPT_SSP.2, FPT_TRC.1, FPT_ITT.1)
- Fault tolerance (FRU_FLT.1)

7.2 TOE summary specification rationale

This section shows that the TSF and assurance measures are appropriate to fulfill the TOE security requirements.

Each security functional requirement is implemented by at least one security function (with few exceptions, which are explained).

The mapping of SFRs and SFs is given in the 7.1 Table.

SFR	SF
CM functionality	
FAU_GEN.1/CM	SF_Audit_CM, SF_Crypto_extCM ⁴⁶²
FAU_GEN.2/CM	SF_Audit_CM
FAU_STG.2	SF_Audit_CM
FCS_CKM.1/RSA_d_key_gen FCS_CKM.1/RSA_nd_key_gen FCS_CKM.1/AES_key_gen FCS_CKM.1/3DES_key_gen FCS_CKM.1/EC_key_gen FCS_CKM.1/TLS_key_gen FCS_CKM.1/TOTP_shared_secret	SF_Crypto_CM, SF_Distributed_TOE SF_Crypto_CM, SF_Crypto_extCM SF_Crypto_CM SF_Crypto_CM SF_Crypto_CM SF_Crypto_CM SF_Crypto_CM
FCS_CKM.4/CM	SF_Crypto_CM, SF_Crypto_extCM
FCS_COP.1/RSA_d_digsig FCS_COP.1/RSA_nd_digsig FCS_COP.1/RSA_validate_digsig FCS_COP.1/hash FCS_COP.1/keyed-hash FCS_COP.1/AES_enc_dec FCS_COP.1/3DES_enc_dec FCS_COP.1/RSA_d_dec FCS_COP.1/RSA_nd_dec FCS_COP.1/RSA_nd_enc FCS_COP.1/key_derivation FCS_COP.1/TOTP_verification FCS_COP.1/cmac_operation FCS_COP.1/ECDSA FCS_COP.1/ECDH	SF_Crypto_CM, SF_Distributed_TOE SF_Crypto_CM, SF_Crypto_extCM SF_Crypto_CM SF_Crypto_CM SF_Crypto_CM SF_Crypto_CM SF_Crypto_CM SF_Crypto_CM, SF_Distributed_TOE SF_Crypto_CM, SF_Crypto_extCM SF_Crypto_CM SF_Crypto_CM SF_Crypto_CM SF_Crypto_CM SF_Crypto_CM SF_Crypto_CM SF_Crypto_CM
FCS_RNG.1	SF_Crypto_CM
FDP_ACC.1/KeyUsage FDP_ACC.1/CM_Backup	SF_Control_CM, SF_Crypto_extCM SF_Management_CM, SF_Control_CM
FDP_ACF.1/KeyUsage FDP_ACF.1/CM_Backup	SF_Crypto_CM, SF_Control_CM, SF_Crypto_extCM SF_Management_CM, SF_Crypto_CM, SF_Control_CM
FDP_IFC.1/KeyBasics	SF_Control_CM
FDP_IFF.1/KeyBasics	SF_Crypto_CM, SF_Control_CM, SF_Crypto_extCM

⁴⁶² there is a SF_Crypto_extCM SF in this table only if the related key is generated, stored and used by an external CM.

SFR	SF
FDP_SDI.2	SF_Crypto_CM
FDP_RIP.1	SF_Crypto_CM, SF_Crypto_extCM
FIA_AFL.1/CM_authentication FIA_AFL.1/CM_authorisation	SF_IA_CM SF_IA_CM, SF_Crypto_CM, SF_Crypto_extCM
FIA_UID.1/CM	SF_IA_CM
FIA_UAU.1/CM	SF_IA_CM
FIA_UAU.6/AKeyAuth	SF_IA_CM, SF_Crypto_CM, SF_Crypto_extCM
FIA_UAU.6/GenKeyAuth	SF_IA_CM, SF_Crypto_CM, SF_Crypto_extCM
FMT_MSA.1/GenKeys FMT_MSA.1/AKeys	SF_Management_CM, SF_Crypto_CM, SF_Crypto_extCM SF_Management_CM, SF_Crypto_CM, SF_Crypto_extCM
FMT_MSA.3/Keys	SF_Management_CM, SF_Crypto_CM, SF_Crypto_extCM
FMT_MTD.1/Unblock FMT_MTD.1/AuditLog	SF_Management_CM, SF_Crypto_CM, SF_Crypto_extCM SF_Management_CM, SF_Audit_CM
FMT_SMF.1/CM	SF_Management_CM, SF_Audit_CM
FMT_SMR.1/CM	SF_IA_CM
FPT_STM.1/CM	SF_Audit_CM
FPT_FLS.1	SF_FPT_CM
FPT_PHP.1	SF_FPT_CM
FPT_PHP.3	SF_FPT_CM
FPT_TST_EXT.1	SF_FPT_CM
FTP_TRP.1/Local FTP_TRP.1/Admin FTP_TRP.1/External	SF_Comm_CM SF_Comm_CM, SF_Crypto_CM SF_Comm_CM
SAM functionality	
FAU_GEN.1/SAM	SF_Audit_SAM
FAU_GEN.2/SAM	SF_Audit_SAM
FCS_CKM.1/invoke CM:RSA_d_key_gen FCS_CKM.1/SAM_RSA_nd_key_gen FCS_CKM.1/SAM_AES_key_gen FCS_CKM.1/SAM_TLS_key_gen FCS_CKM.1/invoke CM:TOTP_shared_secret	SF_Crypto_SAM, SF_Distributed_TOE SF_Crypto_SAM SF_Crypto_SAM SF_Crypto_SAM SF_Crypto_SAM
FCS_CKM.4/SAM	SF_Crypto_SAM
FCS_COP.1/invoke CM:RSA_d_digsig FCS_COP.1/SAM_RSA_nd_digsig FCS_COP.1/SAM_RSA_validate_digsig FCS_COP.1/SAM_hash FCS_COP.1/SAM_keyed-hash FCS_COP.1/SAM_AES_enc_dec FCS_COP.1/invoke CM:RSA_d_dec FCS_COP.1/SAM_RSA_nd_dec FCS_COP.1/SAM_RSA_nd_enc FCS_COP.1/SAM_key_derivation FCS_COP.1/SAM_TOTP_verification	SF_Crypto_SAM, SF_Distributed_TOE SF_Crypto_SAM SF_Crypto_SAM SF_Crypto_SAM SF_Crypto_SAM SF_Crypto_SAM SF_Crypto_SAM, SF_Distributed_TOE SF_Crypto_SAM SF_Crypto_SAM SF_Crypto_SAM SF_Crypto_SAM
FDP_ACC.1/Privileged User Creation FDP_ACC.1/Signer Creation FDP_ACC.1/Signer Key Pair Generation FDP_ACC.1/Signer Maintenance FDP_ACC.1/Supply DTBS/R FDP_ACC.1/Signing FDP_ACC.1/SAM Maintenance FDP_ACC.1/SAM Backup	SF_Management_SAM, SF_Control_SAM SF_Management_SAM, SF_Control_SAM SF_Control_SAM SF_Management_SAM, SF_Control_SAM SF_Control_SAM SF_Control_SAM SF_Management_SAM, SF_Control_SAM SF_Management_SAM

SFR	SF
FDP_ACF.1/Privileged User Creation FDP_ACF.1/Signer Creation FDP_ACF.1/Signer Key Pair Generation FDP_ACF.1/Signer Maintenance FDP_ACF.1/Signing FDP_ACF.1/SAM Maintenance FDP_ACF.1/Supply DTBS/R FDP_ACF.1/SAM Backup	SF_Management_SAM, SF_Control_SAM SF_Management_SAM, SF_Control_SAM SF_Control_SAM SF_Management_SAM, SF_Control_SAM SF_Control_SAM SF_Management_SAM, SF_Control_SAM SF_Control_SAM SF_Management_SAM
FDP_IFC.1/Signer FDP_IFC.1/Privileged User	SF_Control_SAM SF_Control_SAM
FDP_IFF.1/Signer FDP_IFF.1/Privileged User	SF_Control_SAM SF_Control_SAM
FDP_ETC.2/Signer FDP_ETC.2/Privileged User	--- ⁴⁶³ --- ⁴⁶⁴
FDP_ITC.2/Signer FDP_ITC.2/Privileged User	--- ⁴⁶⁵ --- ⁴⁶⁶
FDP_UCT.1	SF_Comm_SAM
FDP_UIT.1	SF_Comm_SAM
FIA_AFL.1/SAM	SF_IA_SAM
FIA_UID.2/SAM	SF_IA_SAM
FIA_UAU.1/SAM	SF_IA_SAM
FIA_UAU.5/Signer	SF_IA_SAM
FIA_UAU.5/Privileged User	SF_IA_SAM
FIA_ATD.1	SF_IA_SAM
FIA_USB.1	SF_IA_SAM
FMT_MSA.1/Signer FMT_MSA.1/Privileged User	SF_Management_SAM, SF_Management_SAM
FMT_MSA.2	SF_Management_SAM
FMT_MSA.3/Signer FMT_MSA.3/Privileged User	SF_Management_SAM SF_Management_SAM
FMT_MTD.1/SAM	SF_Management_SAM
FMT_SMF.1/SAM	SF_Management_SAM
FMT_SMR.2/SAM	SF_IA_SAM
FPT_STM.1/SAM	SF_Audit_SAM
FPT_RPL.1	SF_Comm_SAM
FPT_TDC.1	--- ⁴⁶⁷
FTP_TRP.1/SSA FTP_TRP.1/SIC	SF_Comm_SAM SF_Comm_SAM
FTP_ITC.1/CM	SF_Comm_SAM
functionality of the distributed structure	
FPT_TRC.1	SF_Distributed_TOE
FPT_SSP.2	SF_Distributed_TOE
FPT_ITT.1	SF_Comm_CM, SF_Comm_SAM, SF_Distributed_TOE
FRU_FLT.1	SF_Distributed_TOE

⁴⁶³ Since the drQSCD does not export user data then FDP_ETC.2/Signer is trivially satisfied.

⁴⁶⁴ Since the drQSCD does not export user data then FDP_ETC.2/Privileged User is trivially satisfied.

⁴⁶⁵ Since the drQSCD does not import user data then FDP_ITC.2/Signer is trivially satisfied.

⁴⁶⁶ Since the drQSCD does not import user data then FDP_ITC.2/Privileged User is trivially satisfied.

⁴⁶⁷ Since the drQSCD does not store data outside its physical boundary, then FPT_TDC.1 is trivially satisfied.

Table 7.1 Mapping of SFRs and SFs

8 References and Acronyms

8.1 References

- [AIS31] BSI AIS 20 / AIS 31, Functionality classes for random number generators Version 2.0
- [Assurance] COMMISSION IMPLEMENTING REGULATION (EU) 2015/1502 of 8 September 2015 on setting out minimum technical specifications and procedures for assurance levels for electronic identification means pursuant to Article 8(3) of Regulation (EU) No 910/2014 of the European Parliament and of the Council on electronic identification and trust services for electronic transactions in the internal market
- [CC1] Common Criteria for Information Technology Security Evaluation, Part 1: Introduction and General Model, Version 3.1, Revision 4, September 2012, CCMB-2012-09-001
- [CC2] Common Criteria for Information Technology Security Evaluation, Part 2: Security Functional Requirements, Version 3.1, Revision 4, September 2012, CCMB-2012-09-002
- [CC3] Common Criteria for Information Technology Security Evaluation, Part 3: Security Assurance Requirements, Version 3.1, Revision 4, September 2012, CCMB-2012-09-003
- [drQSCD-ARC] Security Architecture Description - distributed remote Qualified Signature Creation Device (drQSCD) – v1.0
- [drQSCD-TDS] TOE design - distributed remote Qualified Signature Creation Device (drQSCD) – v1.0
- [EN 419221-5] 419221-5: Protection profiles for TSP Cryptographic modules, Part 5: Cryptographic Module for Trust Services, v0.15, 2016-11-29
- [EN 419241-1] prEN 419241-1:2017 Trustworthy Systems Supporting Server Signing - Part 1: General System Security Requirements
- [EN 419241-2] 419241-2: Trustworthy Systems Supporting Server Signing - Part 2: Protection Profile for QSCD for Server Signing, v.016, 2018-05-11
- [eIDAS] REGULATION (EU) No 910/2014 OF THE EUROPEAN PARLIAMENT AND OF THE COUNCIL of 23 July 2014 on electronic identification and trust services for electronic transactions in the internal market and repealing Directive 1999/93/EC
- [Imp_Regulation] COMMISSION IMPLEMENTING REGULATION (EU) 2015/1502 of 8

September 2015 on setting out minimum technical specifications and procedures for assurance levels for electronic identification means pursuant to Article 8(3) of Regulation (EU) No 910/2014 of the European Parliament and of the Council on electronic identification and trust services for electronic transactions in the internal market

- [EN 319401] Electronic Signatures and Infrastructures (ESI);
General Policy Requirements for Trust Service Providers
- [EN 319411-1] Electronic Signatures and Infrastructures (ESI);
Policy and security requirements for Trust Service Providers issuing certificates; Part 1: General requirements

- [EN 319411-2] Electronic Signatures and Infrastructures (ESI);
Policy and security requirements for Trust Service Providers issuing certificates; Part 2: Requirements for trust service providers issuing EU qualified certificates
- [ISO/IEC 15946-2] ISO/IEC 15946-2:2002
Information technology -- Security techniques -- Cryptographic techniques based on elliptic curves -- Part 2: Digital signatures
- [TS 119312] ETSI TS 119312
Electronic Signatures and Infrastructures (ESI);
Cryptographic Suites Version 1.1.1 Nov 2014
- [SOG-IS-Crypto] SOG-IS Crypto Working Group
SOG-IS Crypto Evaluation Scheme Agreed Cryptographic Mechanisms,
Version 1.0 May 2016
- [PKCS#1] RSA Laboratories, PKCS #1: RSA Encryption Standard, Version v2.2
- [PKCS#5] RSA Laboratories - PKCS #5: Password-based Cryptographic Standard,
Version 2.1
- [PKCS#7] RSA Laboratories - PKCS #7: Cryptographic Message Syntax Standard,
Version 1.5
- [PKCS#10] RSA Laboratories - PKCS #10: Certification Request Syntax Standard,
Version 1.7
- [PKCS#11] RSA Laboratories, PKCS #11: Cryptographic Token Interface Standard,
Version v2.30
- [FIPS 140-2] FIPS PUB 140-2
Security Requirements For Cryptographic Modules, May 25, 2001
- [FIPS 186-4] FIPS PUB 186-4
Digital Signature Standard (DSS), July 2013 (RSA: Appendix B.3)
- [FIPS 197] FIPS PUB 197
Advanced Encryption Standard (AES), November 26, 2001
- [FIPS OpenSSL] OpenSSL FIPS Object module v2.0. (the FIPS 140-2 validated version of the
OpenSSL)
- [RFC 2104] RFC 2104 - HMAC: Keyed-Hashing for Message Authentication

[RFC 2797]	Certificate Management Messages over CMS
[RFC4226]	RFC 4226 - HOTP: An HMAC-Based One-Time Password Algorithm
[RFC4493]	RFC 4493 - The AES-CMAC Algorithm
[RFC 5208]	RFC 5208 - Public-Key Cryptography Standards (PKCS) #8: Private-Key Information Syntax Specification Version 1.2
[RFC 5246]	RFC 5246 - The Transport Layer Security (TLS) Protocol, Version 1.2
[RFC 5639]	RFC 5639 - Elliptic Curve Cryptography (ECC) Brainpool Standard Curves and Curve Generation
[RFC 6238]	RFC 6238 - TOTP: Time-Based One-Time Password Algorithm
[SEC 2]	Standards for Efficient Cryptography - SEC 2: Recommended Elliptic Curve Domain Parameters (January 27, 2010, Version 2.0)
[SOGIS]	SOG-IS, SOG-IS Crypto Evaluation Scheme, Agreed Cryptographic Mechanisms, version 1.0, 2016
[SP 800-38A]	NIST Special Publication 800-38A Recommendation for Block Cipher Modes of Operation, December 2001
[SP 800-56A]	NIST Special Publication 800-56A rev3 Recommendation for Pair-Wise Key Establishment Schemes Using Discrete Logarithm Cryptography (Revised), 2018
[SP 800-90Ar1]	NIST Special Publication 800-90A Recommendation for Random Number Generation Using Deterministic Random Bit Generators, June 2015
[X9.62]	AMERICAN NATIONAL STANDARD X9.62-1998 - Public Key Cryptography For The Financial Services Industry: The Elliptic Curve Digital Signature Algorithm (ECDSA)

8.2 Acronyms

AC	Access Control
API	Application Programming Interface
CA	Certificate Authority
CC	Common Criteria
CFB	Cipher Feedback Mode
CGA	Certificate Generation Application
CM	Cryptographic Module
CMbr	Cryptographic Module Bridge
CMC	Certificate Management protocol using CMS
CMS	Cryptographic Message Syntax
CSR	Certification Signing Request
DRNG	deterministic RNG
drQSCD	distributed remote Qualified Signature Creation Device
DTBS	Data To Be Signed

DTBS/R	Data To Be Signed or its unique representation
EAL	Evaluation Assurance Level
ECA	External Client Application
ECC	Elliptic-curve Cryptography
ECDH	Elliptic-curve Diffie–Hellman
ECDSA	Elliptic-curve Digital Signature Algorithm
EN	European Standard
ETSI	European Telecommunications Standards Institute
FIPS	Federal Information Processing Standard
GF	Galois Field
HMAC	Hashed-based Message Authentication Code
HOTP	HMAC-Based One-Time Password (Algorithm)
IEC	International Electrotechnical Commission
IFC	Information Flow Control
ISO	International Organization for Standardization
IT	Information Technology
KU	Key User
LCA	Local Client Application
MAC	Message Authentication Code
MPC	Multi-Party Computation
MPCA	Multi-Party Cryptographic Appliance
MPCM	Multi-Party Cryptographic Module
MPCMd	Multi-Party Cryptographic Module daemon
OS	Operating System
OSP	Organizational Security Policy
OTP	One Time Password
PKCS	Public-Key Cryptography Standards
PP	Protection Profile
PTRNG	physical true RNG
PRF	Pseudorandom Function
QSCD	Qualified Electronic Signature (or Electronic Seal) creation device
RAD	Reference Authentication Data
RFC	Request for Comments
RNG	Random Number Generator
RSA	Rivest, Shamir and Adleman cryptosystem
SAD	Signature Activation Data
SAM	Signature Activation Module
SAP	Signature Activation Protocol
SAR	Security Assurance Requirement
SCA	Signature Creation Application

SCAL	Sole Control Assurance Level
SCD	Signature Creation Data (private cryptographic key stored in the QSCD)
SF	Security Function
SFP	Security Function Policy
SFR	Security Functional Requirement
SIC	Signer's Interaction Component
SMEP	Supervisor Mode Execution Protection
SO	Security Objective
SOGIS	Senior Officials Group Information Systems Security
SSA	Server Signing Application
ST	Security Target
SVD	Signature Verification Data (public cryptographic key)
TLS	Transport Layer Security
TOE	Target of Evaluation
TOTP	Time-Based One-Time Password (Algorithm)
TSC	TSF Scope of Control
TSF	TOE Security Functionality
TSP	TOE Security Policy
TSP	Trust Service Provider
TW4S	Trustworthy System Supporting Server Signing
VAD	Verification Authentication Data