

National Information Assurance Partnership



Common Criteria Evaluation and Validation Scheme Validation Report

Belkin Secure KM Models F1DN102K-3, F1DN104K-3, F1DN108K-3

Report Number: CCEVS-VR-VID10984-2019

Dated: 31 July 2019

Version: 1.5

**National Institute of Standards and Technology
Information Technology Laboratory
100 Bureau Drive
Gaithersburg, MD 20899**

**Department of Defense
National Security Agency
9800 Savage Road
Fort Meade, MD 20755-6940**

ACKNOWLEDGEMENTS

Validation Team

Daniel Faigin

The Aerospace Corporation

John Butterworth

The MITRE Corporation

Common Criteria Testing Laboratory

DXC Technology

10830 Guilford Road, Suite #308

Annapolis Junction, MD 20701

1. EXECUTIVE SUMMARY

This report is intended to assist the end-user of this product and any security certification Agent for the end-user with determining the suitability of this Information Technology (IT) product in their environment. End-users should review both the Security Target (ST), which is where specific security claims are made, in conjunction with this Validation Report (VR), which describes how those security claims were evaluated.

This report documents the assessment by the National Information Assurance Partnership (NIAP) validation team of the evaluation of the Belkin Secure KM Switch, the Target of Evaluation (TOE), performed by DXC Technology. It presents the evaluation results, their justifications, and the conformance results. This report is not an endorsement of the TOE by any agency of the U.S. government, and no warranty is either expressed or implied.

The evaluation was performed by DXC Technology (DXC) of Hanover, MD in accordance with the United States evaluation scheme and completed on July 31, 2019. The information in this report is largely derived from the ST, the Evaluation Technical Report (ETR) and the functional testing report. The evaluation was performed to conform to the requirements of the Common Criteria for Information Technology Security Evaluation, Version 3.1, Revision 5, dated April 2017 at Evaluation Assurance Level 1, and the Common Evaluation Methodology for IT Security Evaluation (CEM), Version 3.1, Revision 5, April 2017 and the NIAP Peripheral Sharing Switch for Human Interface Devices Protection Profile, Version 3.0, February 13, 2015.

The Belkin Secure Peripheral Sharing Switches (PSS) allows the secure sharing of a single set of peripheral components such as keyboard and Mouse/Pointing devices among multiple computers through standard USB interfaces.

The Evaluation Team performed an analysis of the NIAP Technical Decisions and found that TD0298, published on March 9, 2018, was applicable to this PP. The evaluation team investigated and determined that this technical decision is not applicable to this TOE. The explanation for this, and a list of all Technical Decisions applicable to this PP and TOE, is described in section 3.1 below and in section 2.3 of the Security Target.

The TOE is also compliant with all International interpretations with effective dates on or before May 1, 2019.

2. IDENTIFICATION

The CCEVS is a joint National Security Agency (NSA) and National Institute of Standards and Technology (NIST) effort to establish commercial facilities to perform trusted product evaluations. Under this program, commercial testing laboratories called Common Criteria Testing Laboratories (CCTLs) using the Common Evaluation Methodology (CEM) for Evaluation Assurance Level (EAL) 1 and NIAP approved Protection Profiles in accordance with National Voluntary Laboratory Assessment Program (NVLAP) accreditation conduct security evaluations.

The NIAP Validation Body assigns Validators to monitor the CCTLs to ensure quality and consistency across evaluations. Developers of IT products desiring a security evaluation contract with a CCTL and pay a fee for their product's evaluation. Upon successful completion of the evaluation, the product is added to NIAP's Validated Products List.

Table 1 provides information needed to completely identify the product, including:

- The Target of Evaluation (TOE): the fully qualified identifier of the product as evaluated;
- The Security Target (ST), describing the security features, claims, and assurances of the product;
- The conformance result of the evaluation;
- Any Protection Profile to which the product is conformant;
- The organizations participating in the evaluation.

Table 1: Evaluation Identifiers

Item	Identifier
Evaluation Scheme	United States NIAP Common Criteria Evaluation and Validation Scheme
Target of Evaluation	Belkin Secure KM
Protection Profile	NIAP Peripheral Sharing Switch for Human Interface Devices Protection Profile, Version 3.0, February 13, 2015
Security Target	Belkin Secure KM Security Target, v4.5, July 2019
Dates of evaluation	May 1, 2019 – July 31, 2019
Evaluation Technical Report	BELKIN KM Switches Evaluation Technical Report, v.1.2a, July 2019
Assurance Activity Report	BELKIN KM Switches Assurance Activity Report, v.1.2, July 2019
Conformance Result	<ol style="list-style-type: none"> 1. Common Criteria for Information Technology Security Evaluation, Part 1: Introduction and General Model, CCMB-2012-09-001, Version 3.1 Revision 4, September 2012. 2. Common Criteria for Information Technology Security Evaluation, Part 2: Security Functional Components, CCMB-2012-09-002, Version 3.1 Revision 4, September 2012. 3. Common Criteria for Information Technology Security Evaluation, Part 3: Security Assurance Components, CCMB-2012-09-003, Version 3.1 Revision 4, September 2012. 4. Common Methodology for Information Technology Security Evaluation, Evaluation Methodology, CCMB-2012-09-004, Version 3.1, Revision 4, September 2012. <p>The following CC conformance:</p> <ul style="list-style-type: none"> • Part 2 extended • Part 3 conformant
Common Criteria version	Common Criteria for Information Technology Security Evaluation Version 3.1, Revision 4, September 2012
Common Evaluation Methodology (CEM) version	CEM version 3.1R4, September 2012
Sponsor	Belkin
Developer	Belkin
Evaluators	Eve Pierre, John Daniels, Cheryl Dugan
Validation Team	The Aerospace Corporation: Daniel Faigin The MITRE Corporation: John Butterworth

3. SECURITY POLICY

The TOE implements the Data Separation Security Function Policy (SFP) as outlined in Section 4 of the claimed Protection Profile. Isolated USB device emulators are used for the keyboard and mouse. There is one USB device emulator per each connected computer. The use of isolated USB device emulators assures that connected computers will not interact electrically or logically with shared TOE or peripheral resources. Data exchange from computer emulators to device emulators is uses a proprietary protocol called UNIDIR. The UNIDIR protocol is limited to basic HID transactions. No other data may flow between emulators as it is not supported by the limited protocol. Keyboard and mouse data flows are not combined or connected to any other TOE data flow. The keyboard and mouse functions are completely isolated from all other functions (audio, video etc.). There are no shared microcontrollers or any other electronic components. No other external interfaces are coupled to the keyboard and mouse data flow paths.

- a. Wireless keyboards are not allowed per applicable user guidance.
- b. Wireless mice are not allowed per applicable user guidance.
- c. TOE Keyboard and mouse USB console ports are interchangeable.

3.1. Technical Decisions

Section 2.3 of the ST, and the TOE addresses the following technical decisions:

TD0083 - AVA_VAN.1 – Applied.

TD0086 - FDP_IFF.1.5 – Applied.

TD0136 - FDP_RIP.1.1 – Applied.

TD0144 - FDP_RIP.1.1 - Applied.

TD0251 - FMT_MOF.1.1 - Applied.

TD0298 - FDP_IFF.1 Assurance Activities – Not applicable

Rationale:

TD0298 changes the testing Assurance Activities for the SFR, but not the SFR. The FDP_IFF.1 requirement is not changed in the ST and is still applicable to the TOE. However, the test steps added by the new TD are not applicable to the TOE under evaluation. These procedures apply to a TOE that supports DisplayPort video format passed through the switch. A TOE that supports DisplayPort through conversion to other video formats through an external cable or dongle should not be tested using these procedures or test steps. All TOE models under evaluation support DisplayPort input by converting DisplayPort to HDMI and therefore are not affected by the TD changes in part 2 of test 4.4. If necessary, the evaluation team is prepared to raise a TRRT to request concurrence or a formal decision based on this rationale.

4. ARCHITECTURAL INFORMATION

4.1. Logical Scope and Boundary

Secure KMs are used to enable a single user having a single set of peripherals to operate in an environment having multiple isolated computers. KM switches keyboard, mouse, audio, and other peripheral devices to one user selected computer.

The following Security Function provides the various KM TOE features and services that were verified in the current evaluation.

Keyboard and mouse security

The TOE implements the Data Separation Security Function Policy (SFP) as outlined in Section 4 of the claimed Protection Profile.

The TOE implements isolated keyboard and mouse USB device emulators per connected computer to prevent direct interface between the TOE shared peripheral devices and connected computers.

The TOE uses host (computer) emulators to interface with connected keyboard and mouse peripheral devices, thus isolating external peripherals from TOE internal circuitry and from connected computers.

Keyboard user data is not stored on TOE non-volatile memory. All USB stacks are implemented in the TOE using SRAM (Static Random Access Memory) – a volatile memory that clears data once the TOE is powered down.

TOE external interface security

The TOE supports only the following external interfaces protocols (as required by referenced PP):

- USB keyboard and mouse;
- Analog audio output; and
- Power input (AC for 4 port or more or DC for 2 port)

Refer to section 4.1 in the Security Target for more information.

Audio Subsystem security

The TOE audio data flow path is electrically isolated from all other functions and interfaces to prevent signaling data leakages to and from the audio paths. Refer to section 7.3 in the Security Target for more information.

User control and monitoring security

TOE is controlled and monitored by the user through front panel illuminated push-buttons and switches. These controls and indications are coupled to the TOE system controller function.

Tampering protection

The TOE implements an always-on anti-tampering system mechanically coupled to the TOE enclosure to detect and attempt to access the TOE internal circuitry.

The TOE is equipped with special holographic Tampering Evident Labels located in critical locations on the TOE enclosure.

Self-testing and Log

The TOE is equipped with a self testing function that begins operation at TOE power up prior to normal use. The self-test function is running independently on each of the TOE microcontrollers following power up.

The TOE is equipped with event log non-volatile memory that stores information about abnormal security related events.

4.2. Administrative and User configuration of the KM TOE

The KM TOE enable user configuration of various minor operational parameters. User may modify these parameters through predefined keyboard shortcuts.

The KM TOE enable identified and authenticated administrators' configuration of various operational and security parameters. Multiple administrators are supported by the TOE. Access requires user name and password authentication. This access may be performed using one of the following two methods (as further explained in the relevant TOE administrator guidance):

1. Using connected computer and text editor application; and
2. Using special USB configuration loading cable and special configuration utility software.

4.3. Physical Scope and Boundary

The TOE is a peripheral sharing switch.

The physical boundary of the TOE consists of:

- One BELKIN Secure KM Switch; Typically (but not necessarily) made internally of system controller board and power supply;
- The firmware embedded inside the TOE that is permanently programmed into the TOE multiple microcontrollers (refer to table 3 below for firmware versions);
- The log, state and settings data stored in the TOE;
- The TOE power supply that is shipped with the product (or integrated inside some of the products);
- The TOE computer interface cables that are shipped with the product; and
- The accompanying User Guidance

The evaluated TOE configuration does not include any peripherals or computer components, but do include supplied computer interface cables attached to the TOE. Figure 1 and table 3 below describe the TOE and its typical installation environment.

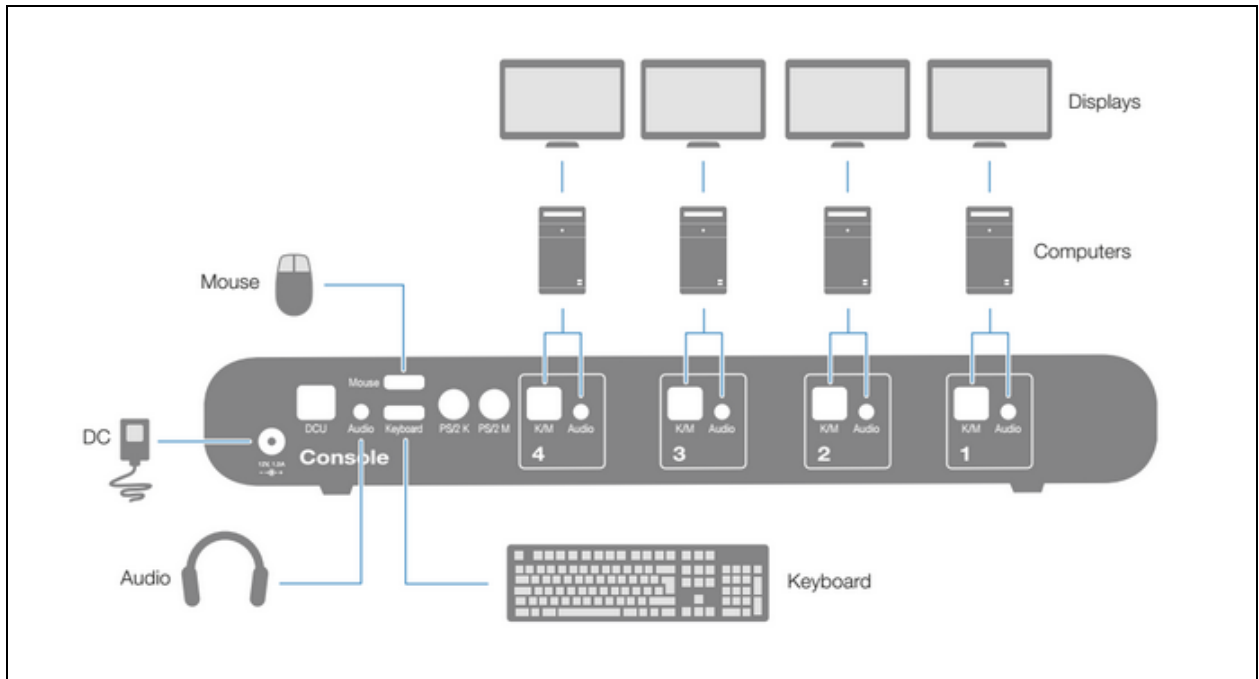
4.3.1. Evaluated Environment

This table identifies hardware components and indicates whether or not each component is in the TOE or Environment.

Table 2: Evaluated TOE and Environment Components

TOE / Environment	Component	Description				
TOE	Selectable product from table 2 above.	TOE Hardware				
Environment	Standard USB or PS/2 Mouse	Console USB user mouse port				
Environment	Standard USB or PS/2 keyboard	Console USB user keyboard port				
TOE	Belkin KVM Cables (as needed): <table border="1" data-bbox="490 695 1265 844"> <thead> <tr> <th>P/N</th> <th>Description</th> </tr> </thead> <tbody> <tr> <td>CWR05117</td> <td>KVM Cable short (1.8 m), USB Type-A to USB Type-B, Black</td> </tr> </tbody> </table>	P/N	Description	CWR05117	KVM Cable short (1.8 m), USB Type-A to USB Type-B, Black	Cables for connection of computers to TOE computers
P/N	Description					
CWR05117	KVM Cable short (1.8 m), USB Type-A to USB Type-B, Black					
TOE	Special Administrator Configuration Loading Cable (as needed): <table border="1" data-bbox="490 934 1265 1083"> <thead> <tr> <th>P/N</th> <th>Description</th> </tr> </thead> <tbody> <tr> <td>HWR06579</td> <td>USB Type-A to USB Type-A Configuration Loading Cable, 1.8m, Black</td> </tr> </tbody> </table>	P/N	Description	HWR06579	USB Type-A to USB Type-A Configuration Loading Cable, 1.8m, Black	USB-A to USB-A Config. Loading Cable
P/N	Description					
HWR06579	USB Type-A to USB Type-A Configuration Loading Cable, 1.8m, Black					
Environment	Standard amplified stereo speakers or analog headphones	Audio output console port				
Environment	Standard PC, Server, portable computer, tablet, thin-client or zero-client device running any operating system; or KVM extender connected to remote platform.	Connected computers				

Figure 1: Typical example of Belkin 4-port KM TOE Installation



4.3.2. KM TOE details

Table 3: Evaluated KM Products

No	Model	P/N	Description	Eval. Version
2-Port				
1.	F1DN102K-3	CGA06860	Belkin secure 2-port Flip KM w/audio, PP 3.0	30303-00C4
4-Port				
1.	F1DN104K-3	CGA10174	Belkin secure 4-port KM w/audio, PP 3.0	30303-00C4
8-Port				
1.	F1DN108K-3	CGA10183	Belkin secure 8-port KM Switch w/audio, PP 3.0	30303-00C4

5. ASSUMPTIONS AND CLARIFICATION OF SCOPE

5.1. Assumptions

The ST identified the following security assumptions:

Table: Secure Usage Assumptions

Assumption	Definition
A.NO_TEMPEST	It is assumed that the computers and peripheral devices connected to the TOE are not TEMPEST approved.
A.NO_SPECIAL_ANALOG_CAPABILITIES	It is assumed that the computers connected to the TOE are not equipped with special analog data collection cards or peripherals such as: Analog to digital interface, high performance audio interface, Digital Signal Processing function, and analog video capture function.
A.PHYSICAL	Physical security, commensurate with the value of the TOE and the data it contains, is assumed to be provided by the environment.
A.TRUSTED_ADMIN	TOE Administrators and users are trusted to follow and apply all guidance in a trusted manner.
A.TRUSTED_CONFIG	Personnel configuring the TOE and its operational environment will follow the applicable security configuration guidance.

5.2. Threats

The ST identified the following threats addressed by the TOE:

Table: Threats

Threat	Definition
T.DATA_LEAK	A connection via the PSS between computers may allow unauthorized data flow through the PSS or its connected peripherals.
T.SIGNAL_LEAK	A connection via the PSS between computers may allow unauthorized data flow through bit-by-bit signaling.
T.RESIDUAL_LEAK	A PSS may leak (partial, residual, or echo) user data between the intended connected computer and another unintended connected computer. More specifically, a PSS may leak user keyboard entries to a PSS-connected computer other than the selected computer in real-time or at a later time.

T.UNINTENDED_SWITCHING	A threat in which the user is connected to a computer other than the one to which they intended to be connected.
T.UNAUTHORIZED_DEVICES	The use of an unauthorized peripheral device with a specific PSS peripheral port may allow unauthorized data flows between connected devices or enable an attack on the PSS or its connected computers.
T.AUTHORIZED_BUT_UNTRUSTED_DEVICES	The use of an authorized peripheral device with the PSS may still cause unauthorized data flows between connected devices or enable an attack on the PSS or its connected computers. Such threats are possible due to known or unknown device vulnerabilities or due to additional functions within the authorized peripheral device.
T.MICROPHONE_USE	Microphone connected to the TOE used for audio eavesdropping or to transfer data across an air-gap through audio signaling.
T.AUDIO_REVERSED	Audio output device used by an attacker as a low-gain microphone for audio eavesdropping. This threat is an abuse of the computer and TOE audio output path to reverse the analog data flow from the headphones to the computer. The computer then amplifies and filters the weak signal, and then digitizes and streams it to another location.
T.LOGICAL_TAMPER	An attached device (computer or peripheral) with malware, or otherwise under the control of a malicious user, could modify or overwrite code embedded in the TOE's volatile or non-volatile memory to allow unauthorized information flows between connected devices.
T.PHYSICAL_TAMPER	A malicious human agent could physically tamper with or modify the TOE to allow unauthorized information flows between connected devices.
T.REPLACEMENT	A malicious human agent could replace the TOE during shipping, storage, or use with an alternate device that does not enforce the TOE security policies.
T.FAILED	Detectable failure of a PSS may cause an unauthorized information flow, weakening of PSS security functions, or unintended switching.

5.3. Organizational Security Policies

The Protection Profile claimed identifies no Organizational Security Policies (OSPs) to which the TOE must comply.

5.4. Security Objectives

The following table, Security Objectives for the TOE, identifies the security objectives of the TOE. These security objectives reflect the stated intent to counter identified threats and/or comply with any security policies identified.

Security Objective	Definition as applied to KM type TOE
O.COMPUTER_INTERFACE_ISOLATION	The TOE must prevent unauthorized data flow to assure that the TOE and/or its connected peripheral devices would not be exploited in an attempt to leak data. The TOE computer interface shall be isolated from all other TOE computer interfaces while TOE is powered.
O.COMPUTER_INTERFACE_ISOLATION_TOE_UNPOWERED	The same level of isolation defined in the dataflow objectives must be maintained at all times, including periods while TOE is unpowered.
O.USER_DATA_ISOLATION	User data such as keyboard entries should be switched (i.e., routed) by the TOE only to the computer selected by the user. The TOE must provide isolation between the data flowing from the peripheral device to the selected computer and any non-selected computer (or another connected computer at later time in the case of Isolator TOE).
O.NO_USER_DATA_RETENTION	The TOE shall not retain user data after it is powered down.
O.PURGE_TOE_KB_DATA_WHILE_SWIT CHING	The TOE shall purge all user keyboard data from computer interfaces following channel switching and before interacting with the new connected computer.
O.NO_DOCKING_PROTOCOLS	The use of docking protocols such as DockPort, USB docking, Thunderbolt etc. is not allowed in the TOE.
O.NO_OTHER_EXTERNAL_INTERFACES	The TOE may not have any wired or wireless external interface with external entities (external entity is an entity outside the TOE evaluated system, its connected computers and peripheral devices).
O.NO_ANALOG_AUDIO_INPUT	Shared audio input peripheral functions (i.e., analog audio microphone input or line input) are not allowed in the TOE.
O.UNIDIRECTIONAL_AUDIO_OUT	The TOE shall be designed to assure that reverse audio signal attenuation will be at least 30 dBv measured with 200 mV and 2V input pure sinus wave at the extended audio frequency range including negative swing signal. The level of the reverse audio signal received by the selected computer shall be minimal to assure that the signal level generated by headphones will be well under the noise floor level.
O.COMPUTER_TO_AUDIO_ISOLATION	The TOE audio dataflow shall be isolated from all other TOE functions. Signal attenuation between any TOE computer interface and any TOE audio interface shall be at least 45 dBv measured with 2V input pure sinus wave at the extended audio

	frequency range including negative swing signal.
O.AUTHORIZED_SWITCHING	The TOE shall allow only authorized switching mechanisms to switch between connected computers and shall explicitly prohibit or ignore unauthorized switching mechanisms.
O.NO_AMBIGUOUS_CONTROL	Only one switching method shall be operative at any given time to prevent ambiguous commands.
O.CONTINUOUS_INDICATION	The TOE shall provide continuous visual indication of the computer to which the user is currently connected.
O.KEYBOARD_AND_MOUSE_TIED	The TOE shall ensure that the keyboard and mouse devices are always switched together
O.NO_CONNECTED_COMPUTER_CONTROL	The TOE shall not allow TOE control through a connected computer.
O.PERIPHERAL_PORTS_ISOLATION	The TOE shall prevent data flow between peripheral devices of different SPFs and the TOE peripheral device ports of different SPFs shall be isolated.
O.DISABLE_UNAUTHORIZED_PERIPHERAL	The TOE shall only allow authorized peripheral device types (See Annex C) per peripheral device port; all other devices shall be identified and then rejected or ignored by the TOE.
O.DISABLE_UNAUTHORIZED_ENDPOINTS	The TOE shall reject unauthorized peripheral devices connected via a USB hub. Alternatively, the TOE may reject all USB hubs.
O.KEYBOARD_MOUSE_EMULATED	The TOE keyboard and pointing device functions shall be emulated (i.e., no electrical connection other than the common ground is allowed between peripheral devices and connected computers).
O.KEYBOARD_MOUSE_UNIDIRECTIONAL	The TOE keyboard and pointing device data shall be forced to unidirectional flow from the peripheral device to the switched computer only.
O.TAMPER_EVIDENT_LABEL	<p>The TOE shall be identifiable as authentic by the user and the user must be made aware of any procedures or other such information to accomplish authentication. This feature must be available upon receipt of the TOE and continue to be available during the TOE deployment.</p> <p>The TOE shall be labeled with at least one visible and one invisible unique identifying tamper-evident marking that can be used to authenticate the device. The TOE manufacturer must maintain complete list of manufactured TOE articles and their respective identification markings' unique identifiers.</p>

O.ANTI_TAMPERING	The TOE shall be physically enclosed so that any attempts to open or otherwise access the internals or modify the connections of the TOE would be evident. This shall be accomplished through the use of an always-on active anti-tampering system that serves to permanently disable the TOE should its enclosure be opened. The TOE shall use an always-on active anti-tampering system to permanently disable the TOE in case physical tampering is detected.
O.ANTI_TAMPERING_BACKUP_POWER	The anti-tampering system must have a backup power source to enable tamper detection while the TOE is unpowered.
O.ANTI_TAMPERING_BACKUP_FAIL_TRIGGER	A failure or depletion of the anti-tampering system backup power source shall trigger TOE to enter tampered state.
O.ANTI_TAMPERING_INDICATION	The TOE shall have clear user indications when tampering is detected.
O.ANTI_TAMPERING_PERMANENTLY_DISABLE_TOE	Once the TOE anti-tampering is triggered, the TOE shall become permanently disabled. No peripheral-to-computer data flows shall be allowed.
O.NO_TOE_ACCESS	The TOE shall be designed so that access to the TOE firmware, software, or its memory via its accessible ports is prevented.
O.SELF_TEST	The TOE shall perform self-tests following power up or powered reset.
O.SELF_TEST_FAIL_TOE_DISABLE	Upon critical failure detection the TOE shall disable normal operation of the whole TOE or the respective failed component.
O.SELF_TEST_FAIL_INDICATION	The TOE shall provide clear and visible user indications in the case of a self-test failure.

Notes:

- Objectives O.UNIDIRECTIONAL_VIDEO, O.UNIDIRECTIONAL_EDID and O.DISPLAYPORT_AUX_FILTERING are not applicable for the KM type TOE per referenced PP as it does not support video.

5.5. Security Objectives for the IT Environment

The following IT security objectives for the environment are to be addressed by the Operational Environment by technical means.

Environment Security Objective	Definition
OE. NO_TEMPEST	The operational environment will not require the use of TEMPEST approved equipment.
OE. NO_SPECIAL_ANALOG_CAPABILITIES	The operational environment will not require special analog data collection cards or peripherals such as: Analog to digital interface, high performance audio interface, Digital Signal Processing function, and analog video capture function.
OE.PHYSICAL	The operational environment will provide physical security, commensurate with the value of the TOE and the data it contains.
OE.TRUSTED_ADMIN	The operational environment will ensure that appropriately trained and trusted TOE Administrators and users are available to administer, configure and use the TOE.

5.6. Clarification of Scope

All evaluations (and all products) have limitations, as well as potential misconceptions that need clarifying. This text covers some of the more important limitations and clarifications of this evaluation. Note that:

As with any evaluation, this evaluation only shows that the evaluated configuration meets the security claims made, with a certain level of assurance. The level of assurance for this evaluation is defined within the Protection Profile for Peripheral Sharing Switches.

Consistent with the expectations of the Protection Profile, this evaluation did not specifically search for, nor seriously attempt to counter, vulnerabilities that were not “obvious” or vulnerabilities to objectives not claimed in the ST. The CEM defines an “obvious” vulnerability as one that is easily exploited with a minimum of understanding of the TOE, technical sophistication and resources.

The evaluation of security functionality of the product was limited to the functionality specified in the claimed PPs. Any additional security related functional capabilities included in the product were not covered by this evaluation.

The evaluated configuration of the TOE includes the products identified in Section 4.3.2 using the identified version in the same section for each product. The TOE includes all the code that enforces the policies identified.

6. DOCUMENTATION

The following guidance documents are provided with the TOE upon delivery in accordance with the PP:

1. Advanced Secure 2-port Flip KM Switch, Rev D
2. Secure 4/8 port KM Switch, Rev D
3. BELKIN KM Configuration Tool, Rev C
4. BELKIN Administrator Guide, Rev C

All documentation delivered with the product is relevant to and within the scope of the TOE.

Latest documentation may be found at Belkin website:

<https://www.belkin.com/us/Resource-Center/Cybersecurity/Resources>

7. IT PRODUCT TESTING

This section describes the testing efforts of the evaluation team.

7.1. Evaluation team independent testing

The evaluation team conducted independent testing at the Belkin facilities in Huntsville, Alabama. The evaluation team installed and configured the TOE according to vendor installation instructions and the evaluated configuration as identified in the Security Target.

The evaluation team confirmed the technical accuracy of the setup and installation guide during installation of the TOE. The evaluation team confirmed that the TOE version delivered for testing was identical to the version identified in the ST.

The evaluation team used the Protection Profile test procedures as a basis for creating each of the Independent tests as required by the Assurance Activities.

Each Assurance Activity was tested as required by the conformant Protection Profiles and the evaluation team verified that each test passed.

7.2. Vulnerability analysis

The evaluation team performed a vulnerability analysis of the TOE evidence and a search of publicly available information to identify potential vulnerabilities in the TOE. Based on the results of this effort, there were no identifiable vulnerabilities found at the time of certification.

8. RESULTS OF THE EVALUATION

The evaluation was carried out in accordance with the Common Criteria Evaluation and Validation Scheme (CCEVS) processes and procedures. The TOE was evaluated against the criteria contained in the Common Criteria for Information Technology Security Evaluation, Version 3.1R4. The evaluation methodology used by the evaluation team to conduct the evaluation is the Common Methodology for Information Technology Security Evaluation, Version 3.1R4.

DXC Technology (DXC) has determined that the product meets the security criteria in the Security Target, which specifies conformance to the NIAP Peripheral Sharing Switch for Human Interface Devices Protection Profile, Version 3.0, February 13, 2015. A team of Validators, on behalf of the CCEVS Validation Body, monitored the evaluation. The evaluation effort was finished on July 31 2019.

9. VALIDATOR COMMENTS

The validation team's observations support the evaluation team's conclusion that the Belkin Secure KM switch meets the claims stated in the Security Target.

The validators suggest that the consumer pay particular attention to the evaluated configuration of the device(s). The functionality evaluated is scoped exclusively to the security functional requirements specified in the Security Target, and only the functionality implemented by the SFR's within the Security Target was evaluated. All other functionality provided by the devices, to include software that was not part of the evaluated configuration, needs to be assessed separately and no further conclusions can be drawn about their effectiveness.

Consumers employing the devices must follow the configuration instructions provided in the Configuration Guidance documentation to ensure the evaluated configuration is established and maintained.

9.1. Validation Approach

This product was a reevaluation of a product originally evaluated as VID 10638 which had previously underwent assurance maintenance on March 19, 2018 with no changes to the evaluated product. As there were no changes in the implementation of the product, model, or version number, the goal was to reuse as much previous evidence as possible; additional testing of an unchanged product would be superfluous.

The approach taken by the validation team was to:

1. Ensure that all TDs had been addressed in the evaluation and that any impact on assurance activities was assessed and addressed.
2. Evaluate the equivalence arguments to ensure there were no changes to the product that would impact testing, require re-testing, or would be categorized as something other than minor under assurance maintenance.
3. Compare the updated evaluation documentation to the prior evaluation documentation to understand any changes and their rationale, and to ensure any changes remained technically correct.
4. Ensure that the evaluation team reviewed all prior evaluation material to ensure that it remained applicable to the updated evaluation.

10. ANNEXES

None

11. SECURITY TARGET

Belkin Secure KM Security Target, Revision 4.5, July 2019.

12. GLOSSARY

- **Common Criteria Testing Laboratory (CCTL):** An IT security evaluation facility accredited by the National Voluntary Laboratory Accreditation Program (NVLAP) and approved by the CCEVS Validation Body to conduct Common Criteria-based evaluations.
- **Evaluation:** The assessment of an IT product against the Common Criteria using the Common Criteria Evaluation Methodology to determine whether or not the claims made are justified; or the assessment of a protection profile against the Common Criteria using the Common Evaluation Methodology to determine if the Profile is complete, consistent, technically sound and hence suitable for use as a statement of requirements for one or more TOEs that may be evaluated.
- **Evaluation Evidence:** Any tangible resource (information) required from the sponsor or developer by the evaluator to perform one or more evaluation activities.
- **Target of Evaluation (TOE):** A group of IT products configured as an IT system, or an IT product, and associated documentation that is the subject of a security evaluation under the CC.
- **Threat:** Means through which the ability or intent of a threat agent to adversely affect the primary functionality of the TOE, facility that contains the TOE, or malicious operation directed towards the TOE. A potential violation of security.
- **Validation:** The process carried out by the CCEVS Validation Body leading to the issue of a Common Criteria certificate.
- **Validation Body:** A governmental organization responsible for carrying out validation and for overseeing the day-to-day operation of the NIAP Common Criteria Evaluation and Validation Scheme.
- **Vulnerabilities:** A vulnerability is a hardware, firmware, or software flaw that leaves an Automated Information System (AIS) open for potential exploitation. A weakness in automated system security procedures, administrative controls, physical layout, internal controls, and so forth, which could be exploited by a threat to gain unauthorized access to information or disrupt critical processing.

13. BIBLIOGRAPHY

1. Common Criteria for Information Technology Security Evaluation, Part 1: Introduction and General Model, CCMB-2012-09-001, Version 3.1 Revision 4, September 2012.
2. Common Criteria for Information Technology Security Evaluation, Part 2: Security Functional Components, CCMB-2012-09-002, Version 3.1 Revision 4, September 2012.
3. Common Criteria for Information Technology Security Evaluation, Part 3: Security Assurance Components, CCMB-2012-09-003, Version 3.1 Revision 4, September 2012.
4. Common Methodology for Information Technology Security Evaluation, Evaluation Methodology, CCMB-2017-04-004, Version 3.1, Revision 4, September 2012.
5. Belkin Secure KM Security Target, Revision v.4.5, July 2019.
6. DXC Technology (DXC): Belkin Secure KM Assurance Activity Report, 1.2, July 2019.